

PGHW

Hot Water - Gasoline Powered - Diesel/Oil Heated

LANDA®

Operator's Manual

Pressure Washer



MODELS:	PGHW4-3000 1.110-048.0
	PGHW4-4000 1.110-047.0
	PGHW5-3000 1.110-046.0
	PGHW5-3500 1.110-045.0
	PGHW8-3000 1.110-071.0
	PGHW5-3500 1.110-095.0
	PGHW8-3000 1.110-097.0

For the Landa Dealer nearest you, consult our web page at www.landa.com

SHOP PRESSURE WASHER PARTS

shoppressurewasherparts.com | (888) 269-0172



8.916-485.0-BV 01/31/22

Machine Data Label

Model: _____

Date of Purchase: _____

Serial Number: _____

Dealer: _____

Address: _____

Phone Number: _____

Sales Representative: _____

Machine Data Label2
Table of Contents3
How To Use This Manual4

Safety

Introduction & Safety Information5
Important Safety Information.5

Operations

Component Identification9
Assembly Instructions10
Battery Installation10
Operation Instructions11
Detergents & General Cleaning Techniques12
Thermal Pump Protection12
Cleaning Tips12
Shutting Down And
Clean-Up13

Maintenance

Storage14
After Extended Storage.14
Engine Maintenance14
Unloader Valves15
Oil Burner17
Troubleshooting18
Preventative Maintenance22
Maintenance Schedule22
Oil Change Record23

Parts

Landa PGHW26
Power Platform30
Control Box33
Coil34
Float Tank36
Hose & Spray Gun38
Burner39
Unloader & Pump40
Specifications42
LT.2 Series Pump44
VRT3 Unloader46
PGHW-Series Wayne Burner48

How To Use This Manual

This manual contains the following sections:

- How to Use This Manual
- Safety
- Operations
- Maintenance
- Parts List

The HOW TO USE THIS MANUAL section will tell you how to find important information for ordering correct repair parts.

Parts may be ordered from authorized dealers. When placing an order for parts, the machine model and machine serial number are important. Refer to the MACHINE DATA box which is filled out during the installation of your machine. The MACHINE DATA box is located on the inside of the front cover of this manual.

Model: _____
Date of Purchase: _____
Serial Number: _____
Dealer: _____
Address: _____
Phone Number: _____
Sales Representative: _____

The model and serial number of your machine is located on the back of the machine.

The SAFETY section contains important information regarding hazardous or unsafe practices of the machine. Levels of hazards are identified that could result in product damage, personal injury, or severe injury resulting in death.

The OPERATIONS section is to familiarize the operator with the operation and function of the machine.

The MAINTENANCE section contains preventive maintenance to keep the machine and its components in good working condition. They are listed in this general order:

- Storage
- Engine Maintenance
- KNA Oil Burner
- Troubleshooting
- Oil Change Record

The PARTS LIST section contains assembled parts illustrations and corresponding parts list. The parts lists include a number of columns of information:

- **REF** – column refers to the reference number on the parts illustration.
- **PART NO.** – column lists the part number for the part.
- **QTY** – column lists the quantity of the part used in that area of the machine.
- **DESCRIPTION** – column is a brief description of the part.
- **NOTES** – column for information not noted by the other columns.

NOTE: If a service or option kit is installed on your machine, be sure to keep the KIT INSTRUCTIONS which came with the kit. It contains replacement parts numbers needed for ordering future parts.

NOTE: The manual part number is located on the lower right corner of the front cover.

Introduction & Safety Information

Thank you for purchasing this Pressure Washer.

We reserve the right to make changes at any time without incurring any obligation.

Owner/User Responsibility:

The owner and/or user must have an understanding of the manufacturer's operating instructions and warnings before using this pressure washer. Warning information should be emphasized and understood. If the operator is not fluent in English, the manufacturer's instructions and warnings shall be read to and discussed with the operator in the operator's native language by the purchaser/owner, making sure that the operator comprehends its contents.

Owner and/or user must study and maintain for future reference the manufacturers' instructions.

The operator must know how to stop the machine quickly and understand the operation of all controls. Never permit anyone to operate the engine without proper instructions.

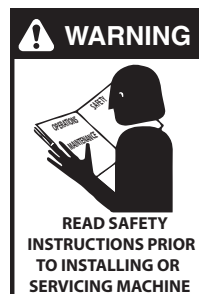
SAVE THESE INSTRUCTIONS

This manual should be considered a permanent part of the machine and should remain with it if machine is resold.

When ordering parts, please specify model and serial number. Use only identical replacement parts.

This machine is to be used only by trained operators.

Important Safety Information



WARNING: To reduce the risk of injury, read operating instructions carefully before using.

AVERTISSEMENT: Pour réduire le risque de blessures, lire attentivement les instructions de fonctionnement avant l'utilisation.

1. Read the owner's manual thoroughly. Failure to follow instructions and warnings could cause malfunction of the machine and result in death, serious bodily injury and/or property damage.
2. Know how to stop the machine and bleed pressure quickly. Be thoroughly familiar with the controls.
3. Stay alert — watch what you are doing.



DANGER: Keep wand, hose, and water spray away from electric wiring or fatal electric shock may result.

DANGER: Garder la lance, le boyau et le jet d'eau à l'écart de tout câblage électrique ou des chocs électriques mortels pourraient survenir.

4. All installations must comply with local codes. Contact your electrician, plumber, utility company or the selling dealer for specific details.



WARNING: This machine exceeds 85 db appropriate ear protection must be worn.

AVERTISSEMENT: Cette machine excède 85 dB et une protection de l'ouïe appropriée doit être portée.

Safety



WARNING: High pressure spray can cause paint chips or other particles to become airborne and fly at high speeds. To avoid personal injury, eye, hand and foot safety devices must be worn.

AVERTISSEMENT: Un jet haute pression peut écailler la peinture ou provoquer l'émission d'autres particules dans l'air et leur projec-

tion à hautes vitesses.

5. Always wear properly rated eye protection such as safety goggles or face shield while spraying. (Safety glasses do not provide full protection.)
6. Keep operating area clear of all persons.



WARNING: Flammable liquids can create fumes which can ignite, causing property damage or severe injury.

AVERTISSEMENT: Des liquides inflammables peuvent produire des vapeurs qui peuvent s'enflammer, causant ainsi des dommages à la propriété ou des blessures graves.

WARNING: Risk of explosion — Operate only where open flame or torch is permitted.

AVERTISSEMENT: Risque d'explosion-Utiliser uniquement dans des endroits où l'utilisation d'une flamme nue ou d'une torche est permise. Ne pas pulvériser de liquides inflammables.



WARNING: Risk of fire — Do not add fuel when the product is operating or still hot.

AVERTISSEMENT: Risque d'incendie - Ne pas ajouter de carburant pendant que la machine fonctionne ou est encore chaude.

WARNING: Do not use gasoline crankcase draining or oil

containing gasoline, solvents or alcohol. Doing so will result in fire and/or explosion.

AVERTISSEMENT: Ne pas utiliser d'essence, de drainage du carter de moteur ou d'essence contenant de l'huile, de solvants ou de l'alcool. Agir de la sorte risquerait de créer un incendie et/ou une explosion.



WARNING: Risk of fire — Do not spray flammable liquid.

AVERTISSEMENT: Risqué d'incendie - Ne pas pulvériser de liquides inflammables.

7. Allow engine to cool for 1-2 minutes before refueling. If any fuel is spilled, make sure the area is dry before testing the spark plug or starting the engine. (Fire and/or explosion may occur if this is not done.)

Gasoline engines on mobile or portable equipment shall be refueled:

- a. outdoors;
- b. with the engine on the equipment stopped;
- c. with no source of ignition within 10 feet of the dispensing point; and
- d. with an allowance made for expansion of the fuel should the equipment be exposed to a higher ambient temperature.

In an overfilling situation, additional precautions are necessary to ensure that the situation is handled in a safe manner.

WARNING: Risk of injury. Disconnect battery ground terminal before servicing.

AVERTISSEMENT: Risque de blessures. Débrancher la borne de mise à la terre de la batterie avant de procéder à des opérations d'entretien.

8. When in use, do not place machine near flammable objects as the engine is hot.
9. Oil burning appliances shall be installed only in locations where combustible dusts and flammable gases or vapors are not present. Do not store or use gasoline near this machine.
10. Use No. 1 or No. 2 heating oil (ASTM D306) only. **NEVER** use gasoline in your fuel oil tank. Gasoline is more combustible than fuel oil and could result in a serious explosion. **NEVER** use crankcase or waste oil in your burner. Fuel unit malfunction could result from contamination.

11. Do not confuse gasoline and fuel oil tanks. Keep proper fuel in proper tank.



WARNING: Risk of injury. Hot surfaces can cause burns. Use only designated gripping areas of spray gun and wand. Do not place hands or feet on non-insulated areas of the pressure washer.

AVERTISSEMENT: Risque de blessures. Les surfaces chaudes peuvent causer des brûlures. Utiliser uniquement les zones de prise désignées du pistolet pulvérisateur et de la lance. Ne pas placer les mains ou les pieds sur des endroits non isolés de la laveuse à pression.

12. Transport/Repair with fuel tank EMPTY or with fuel shut-off valve OFF.



CAUTION: Hot discharge fluid. Do not touch or direct discharge stream at persons or animals.
ATTENTION: Liquide de décharge chaud. Ne pas toucher ou décharger directement le jet vers des personnes ou des animaux
WARNING: This machine produces hot water and must have insulated components attached to protect

the operator.

AVERTISSEMENT: Cette machine produit de l'eau chaude et doit comporter des composants isolés attachés pour protéger l'opérateur.

13. To reduce the risk of injury, close supervision is necessary when a machine is used near children. Do not allow children to operate the pressure washer. **This machine must be attended during operation.**



WARNING: Grip cleaning wand securely with both hands before starting. Failure to do this could result in injury from a whipping wand.
AVERTISSEMENT: Agripper la lance de nettoyage avec les deux mains avant de commencer. Le non-respect de cette consigne pourrait mener à des blessures

causées par le mouvement violent de la lance.

14. Never make adjustments on machine while in operation.

15. Be certain all quick coupler fittings are secured before using pressure washer.



WARNING: High pressure developed by these machines will cause personal injury or equipment damage. Keep clear of nozzle. Use caution when operating. Do not direct discharge stream at people or animals, or severe injury or death will result.

AVERTISSEMENT: La haute

pression générée par ces machines causera des lésions corporelles ou des dommages à l'équipement. Se tenir à l'écart de la buse. Faire preuve de prudence lors de l'utilisation. Ne pas décharger directement le jet vers des personnes ou des animaux, car cela risquerait de causer des blessures graves ou même la mort.



WARNING: Protect machine from freezing.

AVERTISSEMENT: Protéger la machine contre le gel.

16. To keep machine in best operating conditions, it is important you protect machine from freezing. Failure to protect machine from freezing could cause malfunction of the machine

and result in death, serious bodily injury, and/or property damage. Follow storage instructions specified in this manual.

17. Inlet water must be clean fresh water and no hotter than 90°F.



DANGER: Risk of asphyxiation. Running this product indoors can result in death due to carbon monoxide, a poison gas you cannot see or smell. Only use outdoors and far away from windows, doors, and openings or vents. Use this product only in a well ventilated area.

DANGER: Risque d'asphyxie. L'utilisation de ce produit à

l'intérieur peut causer la mort par monoxyde de carbone, un gaz toxique incolore et inodore. Utiliser uniquement à l'extérieur et à l'écart des fenêtres, des portes et des ouvertures ou fentes de ventilation. Utiliser ce produit uniquement dans un endroit bien ventilé.

18. Avoid installing machines in small areas or near exhaust fans. Adequate oxygen is needed for combustion or dangerous carbon monoxide will result.

19. Manufacturer will not be liable for any changes made to our standard machines or any components not purchased from us.

20. The best insurance against an accident is precaution and knowledge of the machine.

Safety



WARNING: Be extremely careful when using a ladder, scaffolding or any other relatively unstable location. The cleaning area should have adequate slopes and drainage to reduce the possibility of a fall due to slippery surfaces.

AVERTISSEMENT: Faire preuve d'une extrême prudence au moment d'utiliser une échelle,

des échafaudages ou toute autre surface relativement instable. La zone de nettoyage doit avoir une pente et un drainage adéquats pour réduire la possibilité d'une chute due à une surface glissante.

21. Do not allow acids, caustic or abrasive fluids to pass through the pump.
22. Never run pump dry or leave spray gun closed longer than 1-2 minutes.
23. Machines with shut-off spray gun should not be operated with the spray gun in the off position for extensive periods of time as this may cause damage to the pump.
24. Protect discharge hose from vehicle traffic and sharp objects. Inspect condition of high pressure hose before using or bodily injury may result.
25. Before disconnecting discharge hose from water outlet, turn burner off and open spray gun to allow water to cool below 100° before stopping the machine. Then open the spray gun to relieve pressure. Failure to properly cool down or maintain the heating coil may result in a steam explosion.
26. Do not overreach or stand on unstable support. Keep good footing and balance at all times.
27. Do not operate this machine when fatigued or under the influence of alcohol, prescription medications, or drugs.
28. In oil burning models, use only kerosene, No. 1 home heating fuel, or diesel. If diesel is used, add a soot remover to every tankful.



WARNING: Do not spray machines or any people, animals or electrical parts.

AVERTISSEMENT: Ne pas vaporiser sur la machine ou les gens, les animaux ou les pièces électriques.



WARNING: If connection is made to a potable water system, the system shall be protected against back flow.

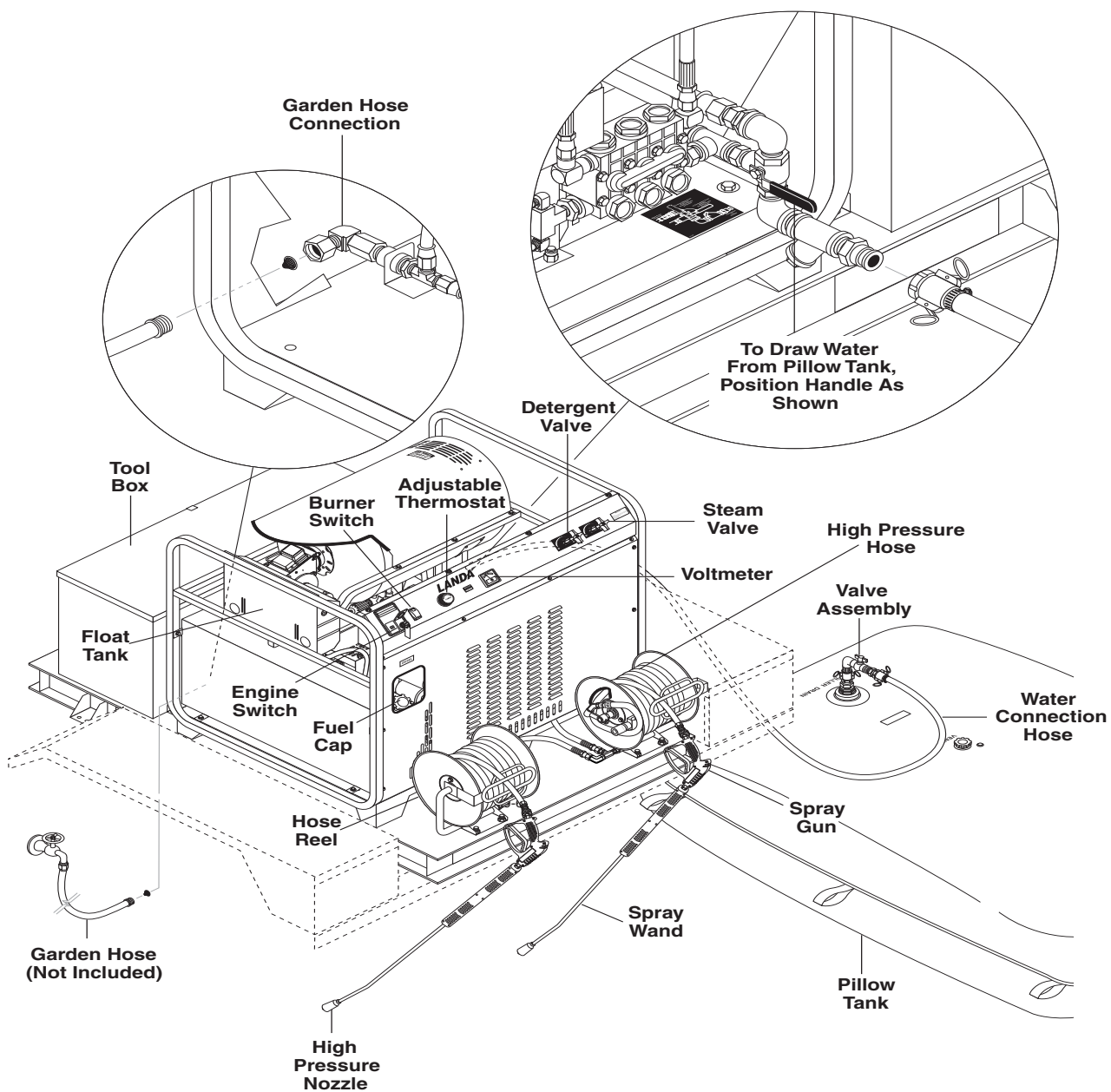
AVERTISSEMENT: Si une connexion est établie avec un approvisionnement en eau potable, un dispositif de protection contre le retour d'eau doit être fourni.



Follow the maintenance instructions specified in the manual.

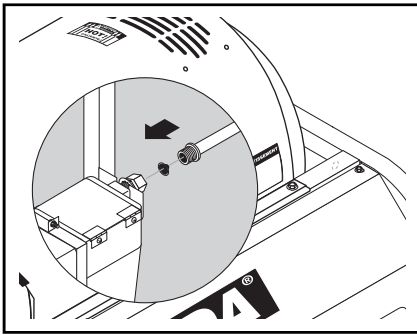
Suivre les instructions d'entretien spécifiées dans le manuel.

Component Identification

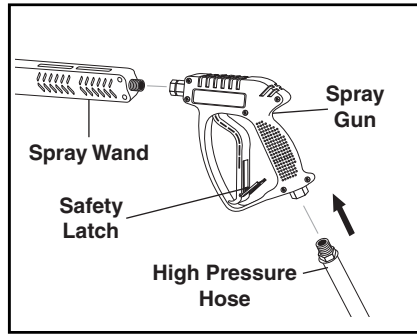


Operations

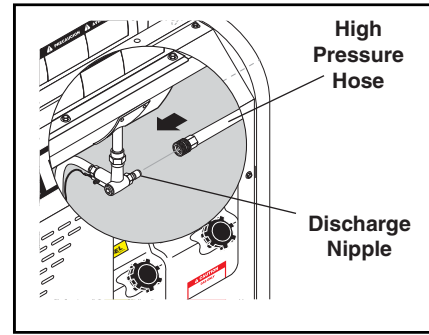
Assembly Instructions



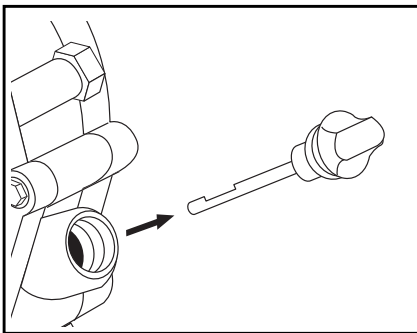
STEP 1: Attach a 5/8" water supply hose to inlet connector. Minimum flow should be 6 or 10 gpm depending on model of machine.



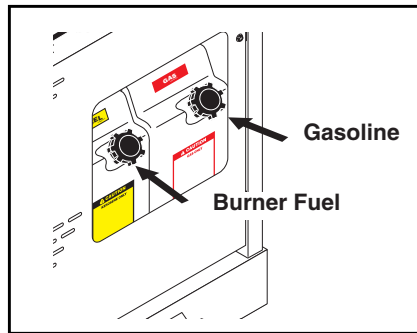
STEP 2: Attach wand to spray gun using teflon tape on threads to prevent leakage. Attach swivel connector on discharge hose to spray gun using teflon tape on threads. Attach swivel connector on high pressure hose to spray gun using teflon tape on threads. Engage safety latch to prevent from triggering gun when inserting high pressure nozzle.



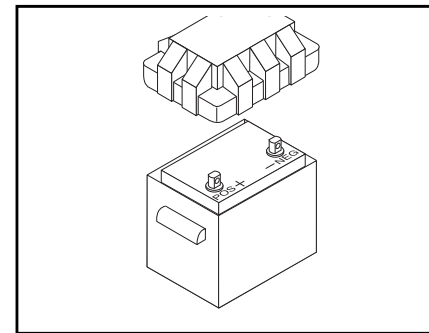
STEP 3: Attach high pressure hose to discharge nipple using quick coupler. Lock coupler securely into place by pulling back coupler collar and inserting it into discharge nipple, then pushing collar forward to lock in place.



STEP 4: Check engine and pump oil level by removing oil dipstick, making sure oil is on proper indicator marking. Oil should be visible one half way up sight glass located at end of pump (SAE 10W-40 non-foaming).



STEP 5: Fill red gasoline tank. Fill green fuel tank. Do not confuse gasoline and fuel oil (diesel) tanks. Keep proper fuel in proper tank.



STEP 6: Install proper battery making sure that the red cable is attached to the positive terminal. Use a 12V Group 24 battery on all models except 4-40321 and 5-35321E. These models use a U1 30 amp garden tractor style battery.

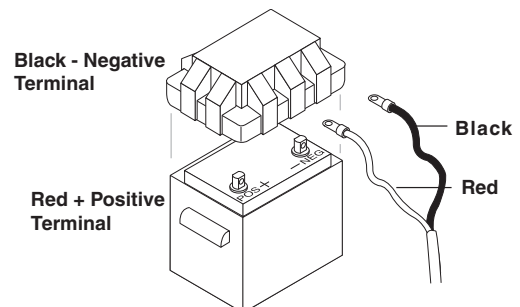
Battery Installation

Due to Federal Regulations concerning shipment of corrosive chemicals, batteries are not shipped with this machine.

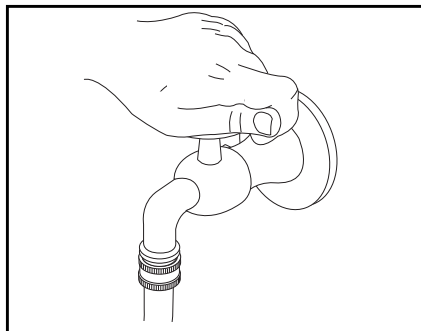
Local purchase of battery will be the responsibility of the owner. Automotive type 12 Volt Group 24 battery is recommended for placement within the weather resistant box. Follow safety and installation instructions furnished with the battery.



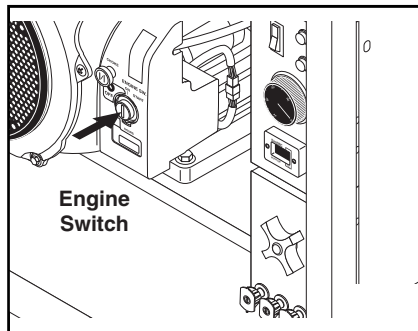
Red Cable is attached to battery (+) positive terminal, black cable is connected to battery (-) negative terminal.



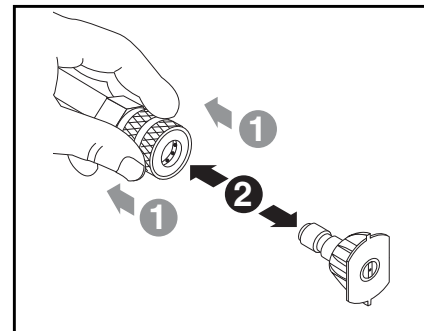
Operation Instructions



STEP 1: Read safety, installation and preventative maintenance instructions before starting machine. Connect the water supply hose to the float tank inlet swivel connector and turn on water supply. **NOTE:** Before installing pressure nozzle in wand coupler, run machine allowing water to flush through the system until clear.



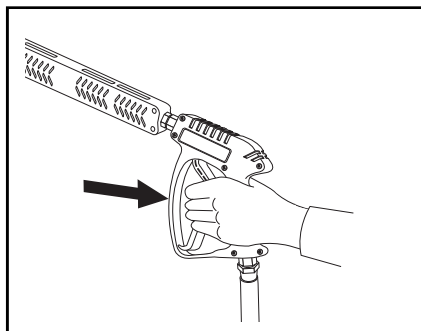
STEP 2: Read engine manual provided and pull choke. Pull spray gun trigger to relieve pressure. Turn the engine switch to the START position and hold it there until the engine starts. **NOTE: Do not engage the electric starter for more than five seconds at a time. If the engine fails to start, release the switch, pull spray gun trigger and wait ten seconds before operating the starter again. When the engine starts, allow the engine switch to return to the ON position. Push the choke in.**



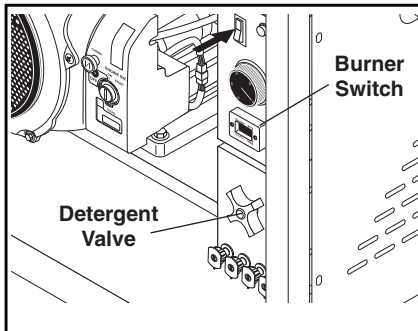
STEP 3: Pull wand coupler collar back and insert desired pressure nozzle into wand coupler. Then secure by pushing coupler collar forward.

CAUTION: Never replace nozzles without engaging the safety latch on the spray gun trigger.

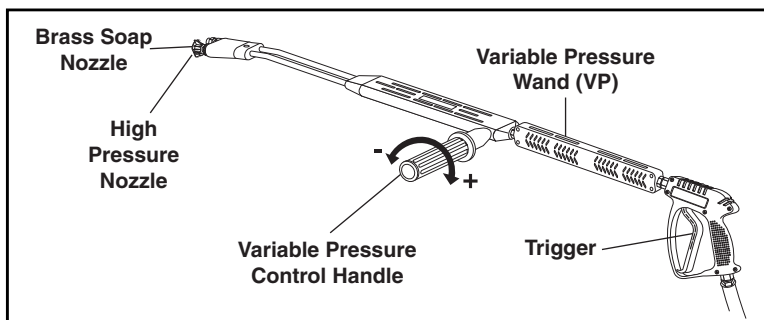
ATTENTION: Ne jamais remplacer les buses sans d'abord mettre le dispositif de sécurité sur la détente du pistolet pulvérisateur.



STEP 4: With the spray nozzle pointed away from you or anybody else, press the trigger on the spray gun to obtain pressurized cold water spray.



STEP 5: For hot water, turn the burner switch to ON when a steady stream of water flows out of the spray gun. Burner will now light automatically. **NOTE:** Do not start machine with burner switch on.



STEP 6: Selection of high or low pressure is accompanied by turning the handle. **NOTE:** High pressure nozzle must be inserted at end of wand to obtain high pressure. Variable pressure control wand handle must be turned clockwise to enable water to flow out of the high pressure nozzle.

To apply detergent, place detergent pick-up tube into a container of detergent and turn the detergent valve counterclockwise.

Operations

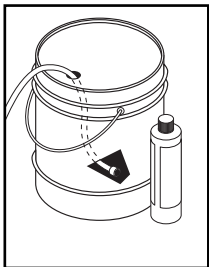
Detergents & General Cleaning Techniques



WARNING: Some detergents may be harmful if inhaled or ingested, causing severe nausea, fainting or poisoning. The harmful elements may cause property damage or severe injury.

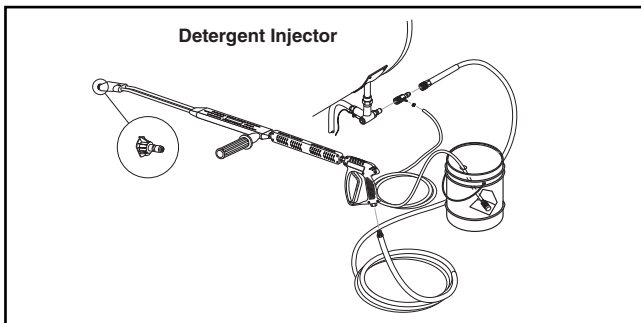
AVERTISSEMENT: Certains détergents peuvent être dangereux s'ils sont inhalés ou ingérés, provoquant de fortes

nausées, des évanouissements et l'empoisonnement. Les éléments dangereux peuvent causer des dommages à la propriété ou des blessures graves

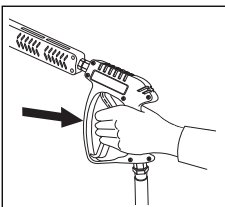


STEP 1: Use detergent designed specifically for pressure washers. Household detergents could damage the pump. Prepare detergent solution as required by the manufacturer. Fill a container with pressure washer detergent. Place the filter end of detergent suction tube into the detergent container.

STEP 2: Turn variable pressure control valve on the wand counter clockwise for low pressure until you observe detergent flowing through the detergent pick-up tube



STEP 3: With the engine running, pull trigger to operate machine. Liquid detergent is drawn into the machine and mixed with water. Apply detergent to work area. Do not allow detergent to dry on surface.



IMPORTANT: You must flush the detergent injection system after each use by placing the suction tube into a bucket of clean water, then run the pressure washer with detergent valve open for 1-2 minutes.

Thermal Pump Protection

If you run your pressure washer for 3-5 minutes without pressing the trigger on the spray gun, circulating water in the pump can reach high temperatures. When the water reaches this temperature, the pump protector engages and cools the pump by discharging the warm water onto the ground. This thermal device prevents internal damage to the pump.

Cleaning Tips

Pre-rinse cleaning surface with fresh water. Place detergent suction tube directly into cleaning solution and apply to surface at low pressure (for best results, limit your work area to sections approximately 6 feet square and always apply detergent from bottom to top). Allow detergent to remain on surface 1-3 minutes. Do not allow detergent to dry on surface. If surface appears to be drying, simply wet down surface with fresh water. If needed, use brush to remove stubborn dirt. Rinse at high pressure from top to bottom in an even sweeping motion keeping the spray nozzle approximately 1 foot from cleaning surface. Use overlapping strokes as you clean and rinse any surface. For best surface cleaning action spray at a slight angle.

Recommendations:

- Before cleaning any surface, an inconspicuous area should be cleaned to test spray pattern and distance for maximum cleaning results.
- If painted surfaces are peeling or chipping, use extreme caution as pressure washer may remove the loose paint from the surface.
- Keep the spray nozzle a safe distance from the surface you plan to clean. High pressure wash a small area, then check the surface for damage. If no damage is found, continue to pressure washing.

⚠ CAUTION - Never use:

- Bleach, chlorine products and other corrosive chemicals
- Liquids containing solvents (i.e., paint thinner, gasoline, oils)
- Tri-sodium phosphate products
- Ammonia products or acid-based products

ATTENTION: Ne jamais utiliser:

- Eau de Javel, produits à base de chlore et autres produits chimiques corrosifs

- Liquides contenant des solvants (c.-à-d. diluant à peinture, essence, huiles, etc.)
- Produits à base de tripolyphosphate de sodium
- Ammoniac ou produits à base d'acide

These chemicals will harm the machine and will damage the surface being cleaned.

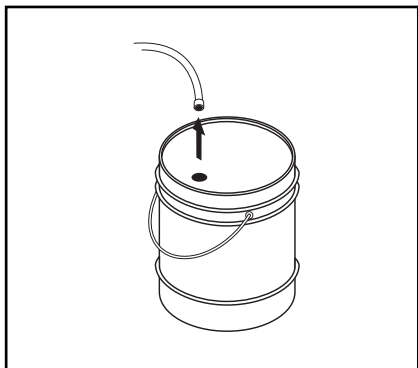
CAUTION: Removal of the pick up tube from detergent bucket will draw air into pump causing cavitation and low pressure.

ATTENTION: Lorsque le tube d'aspiration est retiré du seau de détergent, de l'air sera aspiré dans la pompe, provoquant une cavitation et une basse pression.

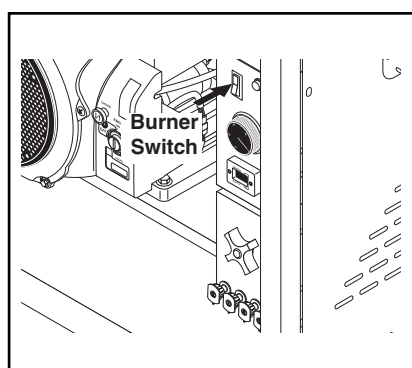
Rinsing

It will take a few seconds for the detergent to clear. Apply safety latch to spray gun. Select and install the desired high pressure nozzle.

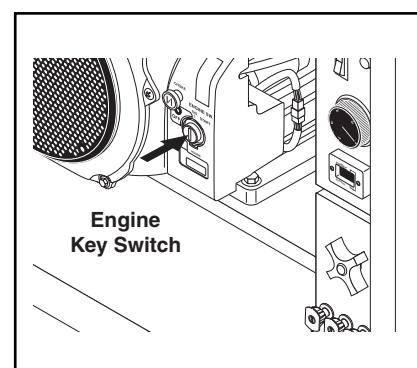
Shutting Down And Clean-Up



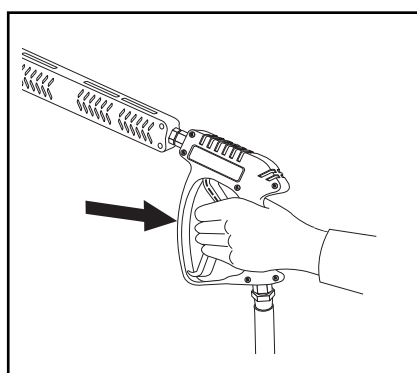
STEP 1: Remove detergent suction tube from container and insert into one (1) gallon of fresh water. Pull trigger on spray gun and siphon water for one minute.



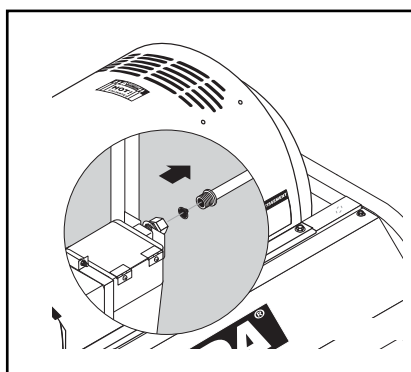
STEP 2: Turn burner switch off and continue spraying, allowing the water to cool to below 100°F.



STEP 3: Turn engine key switch off and turn off water.



STEP 4: Squeeze trigger on spray gun to relieve remaining pressure.



STEP 5: Remove water supply hose.

Maintenance

Storage

CAUTION: Always store your pressure washer in a location where the temperature will not fall below 32°F (0°C). The pump in this machine is susceptible to permanent damage if frozen. **FREEZE DAMAGE IS NOT COVERED BY WARRANTY.**

ATTENTION: Toujours entreposer la laveuse à pression dans un endroit où la température ne sera pas inférieure à 0 °C (32 °F). La pompe sur cette machine est susceptible de subir des dommages si elle est exposée au gel. **LES DOMMAGES DUS AU GEL NE SONT PAS COUVERTS PAR LA GARANTIE.**

1. Stop the pressure washer, squeeze spray gun trigger to release pressure.
2. Detach water supply hose and high pressure hose.
3. Turn on the machine for a few seconds, until remaining water exits. Turn engine off immediately.
4. Drain the gas and oil from the engine.
5. Do not allow high pressure hose to become kinked.
6. Store the machine and accessories in a room which does not reach freezing temperatures.

CAUTION: Failure to follow the above directions will result in damage to your pressure washer.

ATTENTION: Le non-respect des directives ci-dessus entraînera des dommages à la laveuse à pression.

When pressure washer is not being operated or is being stored for more than one month, follow these instructions:

1. Replenish engine oil to upper level.
2. Drain gasoline from fuel tank, fuel line, fuel valve and carburetor.
3. Pour about one teaspoon of engine oil through spark plug hole, pull starter grip several times and replace the plug. Then pull the starter grip slowly until you feel increased pressure which indicates the piston is on its compression stroke and leave it in that position. This closes both the intake and exhaust valves to prevent rusting of cylinder.
4. Cover pressure washer and store in a clean, dry place that is well ventilated away from open flame or sparks.

NOTE: The use of a fuel additive, such as STA-BIL[®], or an equivalent, will minimize the formulation of fuel

deposits during storage. Such additives may be added to gasoline in fuel tank of the engine, or to gasoline in a storage container.

After Extended Storage



CAUTION: Prior to restarting, thaw out any possible ice from pressure washer hoses, spray gun or wand.

ATTENTION: Avant de redémarrer, faire fondre la glace se trouvant sur les boyaux, le pistolet pulvérisateur ou la lance de la laveuse à pression.

Engine Maintenance

During the winter months, rare atmospheric conditions may develop which will cause an icing condition in the carburetor. If this develops, the engine may run rough, lose power and may stall. This temporary condition can be overcome by deflecting some of the hot air from the engine over the carburetor area.

NOTE: Refer to the engine manufacturer's manual for service and maintenance of the engine.

1. Check to see that water pump is properly lubricated.
2. Follow winterizing instructions to prevent freeze damage to pump and coils.
3. Always neutralize and flush detergent from system after use.
4. If water is known to be high in mineral content, use a water softener on your water system, or de-scale as needed.
5. Do not allow acidic, caustic or abrasive fluids to be pumped through system.
6. Always use high grade quality cleaning products.
7. Never run pump dry for extended periods of time.
8. Use clean fuel-kerosene, No. 1 fuel oil, or diesel. Clean or replace fuel filter every 100 hours of operation. Avoid water contaminated fuel as it will damage the fuel pump.
9. If machine is operated with smoky or eye burning exhaust, coils will soot up, not letting water reach maximum operating temperature.
10. Never allow water to be sprayed on or near the engine or burner assembly or any electrical component.
11. Periodically de-lime coils as per instructions.
12. Check to see that engine is properly lubricated.

It is advisable, periodically, to visually inspect the burner. Check air inlet to make sure it is not clogged or blocked. Wipe off any oil spills and keep equipment clean and dry.

The flow of combustion and ventilating air to the burner must not be blocked or obstructed in any manner.

The area around the Landa washer should be kept clean and free of combustible materials, gasoline and other flammable vapors and liquids.

Unloader Valves

WARNING: Unloader valves are preset and tested at the factory before shipping. Tampering with the factory setting may cause personal injury and/or property damage, and will void the manufacturers warranty.

AVERTISSEMENT: La soupape de décompression sur cette laveuse à pression a été réglée en usine, puis scellée, et est une pièce non réglable. L'altération du paramètre de l'usine pourrait causer des lésions corporelles et/ou des dommages à la propriété, et annulera la garantie du fabricant.

Winterizing Procedure

Damage due to freezing is not covered by warranty. Adhere to the following cold weather procedures whenever the washer must be stored or operated outdoors under freezing conditions.

During winter months, when temperatures drop below 32°F, protecting your machine against freezing is necessary. Store the machine in a heated room. If this is not possible then mix a 50/50 solution of anti-freeze and water in the float tank. Turn the engine on to siphon the anti-freeze mixture through the machine. If compressed air is available, an air fitting can be screwed into the float tank by removing the float tank strainer and fitting. Then inject the compressed air. Water will be blown out of the machine when the trigger on the spray gun is opened.

High Limit Hot Water Thermostat

For safety, each machine is equipped with a temperature sensitive high limit control switch. In the event that the water should exceed its operating temperature, the high limit control will turn the burner off until the water cools then automatically reset itself. The thermostat sensor is located on the discharge side of the heating coil. The thermostat control dial is located on the control panel.

Pumps

Use only SAE 10W-40 non-foaming oil. Change oil after first 50 hours of use. Thereafter, change oil every year or at 500 hour intervals. Oil level should be checked through use of dipstick found on top of pump, or the red dot visible through the oil gauge window. Oil should be maintained at that level.

Cleaning of Coils

In alkaline water areas, lime deposits can accumulate rapidly inside the heating coil. This growth is increased by the extreme heat build up in the coil. The best preventative for liming conditions is to use high quality cleaning detergents. In areas where alkaline water is an extreme problem, periodic use of Landa Coil Descaler (part #8.914-296.0) will remove lime and other deposits before coil becomes plugged.

Periodic descaling of the heating coil is recommended so please consult your local Landa Dealer for instructions.

Removal of Soot and Heating Coil

In the heating process, fuel residue in the form of soot deposits may develop between the heating coil pipe and block air flow which will affect burner combustion. When soot has been detected on visual observation, the soot on the coil must be washed off after following the coil removal steps (See Coil Removal).

Rupture Disk

If pressure from pump or thermal expansion should exceed safe limits, the rupture disk will burst allowing high pressure to be discharged through hose to ground. When disk ruptures it will need to be replaced. The Rupture Disk should be replaced every two years.

Maintenance

Fuel

Use clean fuel oil that is not contaminated with water and debris. Replace fuel filter and drain tank every 100 hours of operation.

Use No.1 or No. 2 Heating Oil (ASTM D306) only. NEVER use gasoline in your burner fuel tank. Gasoline is more combustible than fuel oil and could result in a serious explosion. NEVER use crankcase or waste oil in your burner. Fuel unit malfunction could result from contamination.

Fuel Control System

This machine utilizes a fuel solenoid valve located on the fuel pump to control the flow of fuel to the combustion chamber. The solenoid, which is normally closed, is activated by a flow switch when water flows through it. When the operator releases the trigger on the spray gun, the flow of water through the flow switch stops, turning off the electrical current to the fuel solenoid.

The solenoid then closes, shutting off the supply of fuel to the combustion chamber. Controlling the flow of fuel in this way gives an instantaneous burn-or-no-burn situation, thereby eliminating high and low water temperatures and the combustion smoke normally associated with machines incorporating a spray gun. Periodic inspection, to insure that the fuel solenoid valve functions properly, is recommended. This can be done by operating the machine and checking to see that the burner is not firing when the spray gun is in the OFF position.

Fuel Pressure Adjustment

To adjust fuel pressure, First install a pressure gage into the port just after the pump fuel exit. Turn the adjusting screw (located at the regulator port) clockwise to increase, and counterclockwise to decrease. Do not exceed 200 psi or lower the pressure below 130 PSI, when checked at the post-pump pressure port.

The fuel pressure may need to be adjusted due to altitude. For every 500 ft altitude above sea level, the boiling point of water goes down 1 °F. At high altitude environments, this boiling point change may require the heat input to be lowered so the water input does not turn to steam earlier than at the factory settings and activate the pressure sensors and pressure relief equipment when the unit is operated and much higher altitudes from factory settings or local dealer site settings. Check with your dealer before making local site fuel pressure adjustments.

Also, as ambient temperature changes seasonally, the fuel temperature in the feed tank and air temperature inlet can impact fuel flow. In more extreme temperatures, this local-site adjustment may also require different fuel nozzles for fuel inlet temperatures that are at seasonal extremes (higher or lower) in locations where the temperature changes are beyond moderate temperatures of between 40°F and 90°F. Colder temperatures will make for a thicker flow and less fine a fuel spray while hotter temperatures will make for a thinner flow a more fine spray with the same nozzle. Consider alternate nozzle configurations from the baseline factory-supplied nozzle for operating in such temperature extremes if performance is not meeting needs with air band and fuel pressure settings alone.

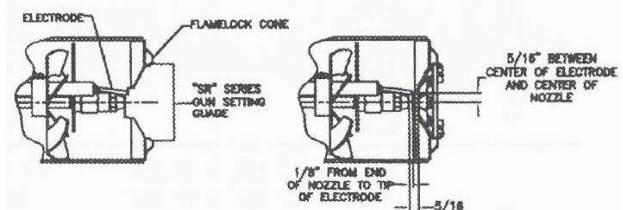
NOTE: When changing fuel pump, a by-pass plug must be installed in return line port or fuel pump will not prime.

Burner Nozzle

Keep the tip free of surface deposits by wiping it with a clean, solvent saturated cloth, being careful not to plug or enlarge the nozzle. For maximum efficiency, replace the nozzle each season.

Electrodes Setting

Gun Setting for EHASR Only



SR-Series Gage

Order Number: 8.717-379.0

Oil Burner

Burner Air Adjustment: The oil burner on this machine is preset for operation at altitudes below 500 feet. If operated at higher altitudes, it may be necessary to adjust the air band for a #1 or #2 smoke spot on the Bacharach scale.

To adjust, start machine and turn burner ON. Loosen two locking screws found on the air band and close air band until black smoke appears from burner exhaust vent. Note air band position. Next, slowly open the air band until white smoke just starts to appear. Turn air band halfway back to the previously noted position. Tighten locking screws.

For higher altitudes, the air band opening may need to be increased; for lower altitude, the air band may need to be decreased.

For higher humidity, the air band opening may need to be increased; for lower relative humidity, the air band may need to be decreased.

For higher ambient temperatures the air band opening may need to be increased; for lower ambient temperatures, the air band opening may need to be decreased.

Adjust to your operating location's environment as needed for best smoke spot and performance compliant with local, state, and federal regulations.

CAUTION: *If white smoke appears from burner exhaust vent during start-up or operation, discontinue use and readjust air bands.*

ATTENTION: *Si de la fumée blanche s'échappe de l'évacuation du brûleur pendant le démarrage ou le fonctionnement, cesser d'utiliser et réajuster les bandes d'air.*

NOTE: *If a flue is installed, have a professional serviceman adjust your burner for a #1 or #2 smoke spot on the Bacharach scale.*

Coil Removal

Removal of coil because of freeze breakage, or to clean soot from it can be done quickly and easily.

1. Disconnect hose from pump to inlet side of the coil.
2. Carefully disconnect the thermostat sensor making sure you do not crimp the capillary tube.
3. Remove burner assembly from combustion chamber.
4. Remove the 3-3/8" bolts from each side of coil and tank assembly (these bolts are used to fasten tank to chassis).
5. Remove fittings connected to the 1/2" pipe nipples from inlet and discharge sides of coil.
6. Remove top tank wrap, bend back insulation tabs and fold back blanket.
7. Remove bolts that hold down coil to bottom wrap.
8. Remove coil.
9. Replace or repair any insulation found to be torn or broken.
10. Remove insulation retainer plates.

Coil Reinstallation

To reinstall new or cleaned coil, reverse steps 9 through 1.

Maintenance

Troubleshooting

PROBLEM	POSSIBLE CAUSE	SOLUTION
LOW OPERATING PRESSURE	Faulty pressure gauge	Install new gauge.
	Insufficient water supply	Use larger supply hose; clean filter at water inlet.
	Old, worn or incorrect spray nozzle	Match nozzle number to machine and/or replace with new nozzle.
	Belt slippage	Tighten or replace; use correct belt.
	Plumbing or hose leak	Check plumbing system for leaks. Re-tape leaks with teflon tape.
	Faulty or mis-adjusted unloader valve	Adjust unloader for proper pressure. Install repair kit when needed.
	Worn packing in pump	Install new packing kit.
	Fouled or dirty inlet or discharge valves in pump	Clean inlet and discharge valves.
	Worn inlet or discharge valves	Replace with valve kit.
	Obstruction in spray nozzle	Remove obstruction.
	Leaking pressure control valve	Rebuild or replace as needed.
	Slow engine RPM	Set engine speed at proper specifications.
	Pump sucking air	Check water supply and possibility of air seepage.
	Valves sticking	Check and clean or replace if necessary.
Unloader valve seat faulty	Check and replace if necessary.	
BURNER WILL NOT LIGHT	Little or no fuel	Fill tank with fuel.
	Improper fuel or water in fuel	Drain fuel tank and fill with proper fuel.
	Clogged fuel line	Clean or replace.
	Plugged fuel filter	Replace as needed.
	Mis-adjusted burner air bands	Readjust air bands for clean burn.
	Little or no fuel pressure from fuel pump	Increase fuel pressure to specification and/or replace fuel pump. Test with pressure gauge.
	Faulty burner transformer	Test transformer for proper arc between contacts. Replace as needed.
(continued on next page)	Disconnected or short in electrical wiring	All wire contacts should be clean and tight. No breaks in wire

PROBLEM	POSSIBLE CAUSE	SOLUTION
BURNER WILL NOT LIGHT (continued from previous page)	Flex coupling slipping on fuel pump shaft or burner motor shaft	Replace if needed.
	On-Off switch defective	Check for electrical current reaching burner assembly with burner switch on.
	Heavy sooting on coil and burner can cause interruption of air flow and shorting of electrodes	Clean as required.
	Improper electrode setting	Check and reset according to diagram in Operator's Manual.
	Fuel not reaching combustion chamber	Check fuel pump for proper flow. Check solenoid flow switch on machines with spray gun control, for proper on-off fuel flow control.
	Clogged burner nozzle	Clean as required.
	Thermostat faulty or slow engine speed	Increase engine RPM to increase voltage.
	Flow switch malfunction	Remove, test for continuity and replace as needed.
	Flow solenoid malfunction	Replace if needed.
FLUCTUATING PRESSURE	Valves worn	Check and replace if necessary.
	Blockage in valve	Check and replace if necessary.
	Pump sucking air	Check water supply and air seepage at joints in suction line.
	Worn piston packing	Check and replace if necessary.
	Gasoline engine altitude	The gasoline engine is preset for operation at altitudes below 1000 feet above sea level. If operated at higher altitudes, it may be necessary to install a high altitude main jet in the carburetor. Contact your local authorized engine sales and service center for details.
MACHINE SMOKES WHILE BURNER UNIT IS RUNNING OR UNIT SMOKES AT COLD-START ONLY WHEN BURNER IS OFF	Improper fuel or water in fuel	Drain tank and replace contaminated fuel.
	Improper air adjustment	Readjust air bands on burner assembly.
	Fuel pressure is low <140 psi for burner	Adjust fuel pump pressure to specifications.
	Plugged or dirty burner nozzle	Replace nozzle. Check parts breakdown for nozzle size
	Faulty burner nozzle spray pattern	Replace nozzle. Check parts breakdown for nozzle size.
	Heavy accumulation of soot on coils and burner assembly	Remove coils and burner assembly, clean thoroughly. Call local dealer.
	Misaligned electrode setting	Realign electrodes to specifications.
	Obstruction in smoke stack	Check for insulation blockage or other foreign objects.
	Low engine RPM	Increase RPM to correct specs. See serial plate.
	Fuel Pressure is too high for clean burn (fuel PSI above 140 and below 200) and smokes when burner is off	Reduce fuel pressure PSI/Increase air band set for cleaner without max water heat loss

Maintenance

PROBLEM	POSSIBLE CAUSE	SOLUTION
LOW WATER TEMPERATURE	Improper fuel or water in fuel	Replace with clean and proper fuel.
	Low fuel pressure	Increase fuel pressure.
	Weak fuel pump	Check fuel pump pressure. Replace pump if needed.
	Fuel filter partially clogged	Replace as needed.
	Soot build-up on coils not allowing heat transfer	Clean coils.
	Improper burner nozzle	See specifications.
WATER TEMPERATURE TOO HOT	Incoming water to machine warm or hot	Lower incoming water temperature.
	Fuel pump pressure too high	See specifications for proper fuel pressure.
	Fuel pump defective	Replace fuel pump.
	Detergent line sucking air	Tighten all clamps. Check detergent lines for holes
	Defective temperature switch	Replace.
	Incorrect fuel nozzle size	See specifications for proper fuel nozzle.
	Insufficient water supplied	Check water G.P.M. to machine.
	Restricted water flow	Check nozzle for obstruction, proper size.
PUMP NOISY	Air in suction line	Check water supply and connections on suction line.
	Broken or weak inlet or discharge valve springs	Check and replace if necessary.
	Excessive matter in valves	Check and clean if necessary.
	Worn bearings	Check and replace if necessary.
PRESENCE OF WATER IN OIL	Oil seal worn	Check and replace if necessary.
	High humidity in air	Check and change oil twice as often.
WATER DRIPPING FROM UNDER PUMP	Piston packing worn	Check and replace if necessary.
	O-Ring plunger retainer worn	Check and replace if necessary.
	Cracked piston	Check and replace if necessary.
	Pump protector	Lower water supply pressure. Do not run with spray gun closed longer than 2 minutes

PROBLEM	POSSIBLE CAUSE	SOLUTION
OIL DRIPPING	Oil seal worn	Check and replace if necessary.
EXCESSIVE VIBRATION IN DELIVERY LINE	Irregular functioning of the valves	Check and replace if necessary.
DETERGENT NOT DRAWING	Air leak	Tighten all clamps. Check detergent lines for holes.
	Restrictor in float tank is missing	Replace restrictor. Check for proper orifice in restrictor.
	Filter screen on detergent suction hose plugged	Clean or replace.
	Dried up detergent plugging metering valve	Disassemble and clean thoroughly
	High viscosity of detergent	Dilute detergent to specifications.
	Hole in detergent line(s)	Repair hole.
	Low detergent level	Add detergent, if needed.
PUMP RUNNING NORMALLY BUT PRESSURE LOW ON INSTALLATION	Pump sucking air	Check water supply and possibility of air seepage.
	Valves sticking	Check and clean or replace if necessary.
	Nozzle incorrectly sized	Check and replace if necessary (See serial plate for proper size).
	Unloader valve seat faulty	Check and replace if necessary.
	Worn piston packing	Check and replace if necessary.
BURNER MOTOR WILL NOT RUN	Fuel pump seized	Replace fuel pump.
	Burner fan loose or misaligned	Position correctly, tighten set screw.
	Defective control switch	Replace switch.
	Loose wire	Check and replace or tighten wiring.
	Defective burner motor	Replace motor.
RELIEF VALVE LEAKS WATER	Relief valve defective	Replace or repair.

Maintenance

Preventative Maintenance

This pressure washer was produced with the best available materials and quality craftsmanship. However, you as the owner, have certain responsibilities for the correct care of the equipment. Attention to regular preventative maintenance procedures will assist in preserving the performance of your equipment. Contact your Landa dealer for maintenance. Regular preventative maintenance will add many hours to the life of your pressure washer. Perform maintenance more often under severe conditions.

Maintenance Schedule		
Pump Oil (Non-foaming) SAE 10W-40	Inspect	Oil level daily
	Change	After first 50 hours, then every 500 hours or annually
Replace High Pressure Nozzle		Every 6 months
Replace Quick Connects		Annually
Clean Water Screen/Filter		Weekly
Replace HP Hose		Annually
Rupture Disk		Replace every 2 years

Oil Change Record

Check pump oil level before first use of your new Power Washer. Change pump oil after first 50 hours and every year or 500 hours thereafter. Use SAE 10W-40 non-foaming oil.

Date Oil Changed Month/Day/Year	Estimated Operating Hours Since Last Oil Change

Date Oil Changed Month/Day/Year	Estimated Operating Hours Since Last Oil Change

Parts

LANDA PGHW

PGHW4-3000

1.110-048.0

PGHW4-4000

1.110-047.0

PGHW5-3000

1.110-046.0

PGHW5-3500

1.110-045.0

PGHW8-3000

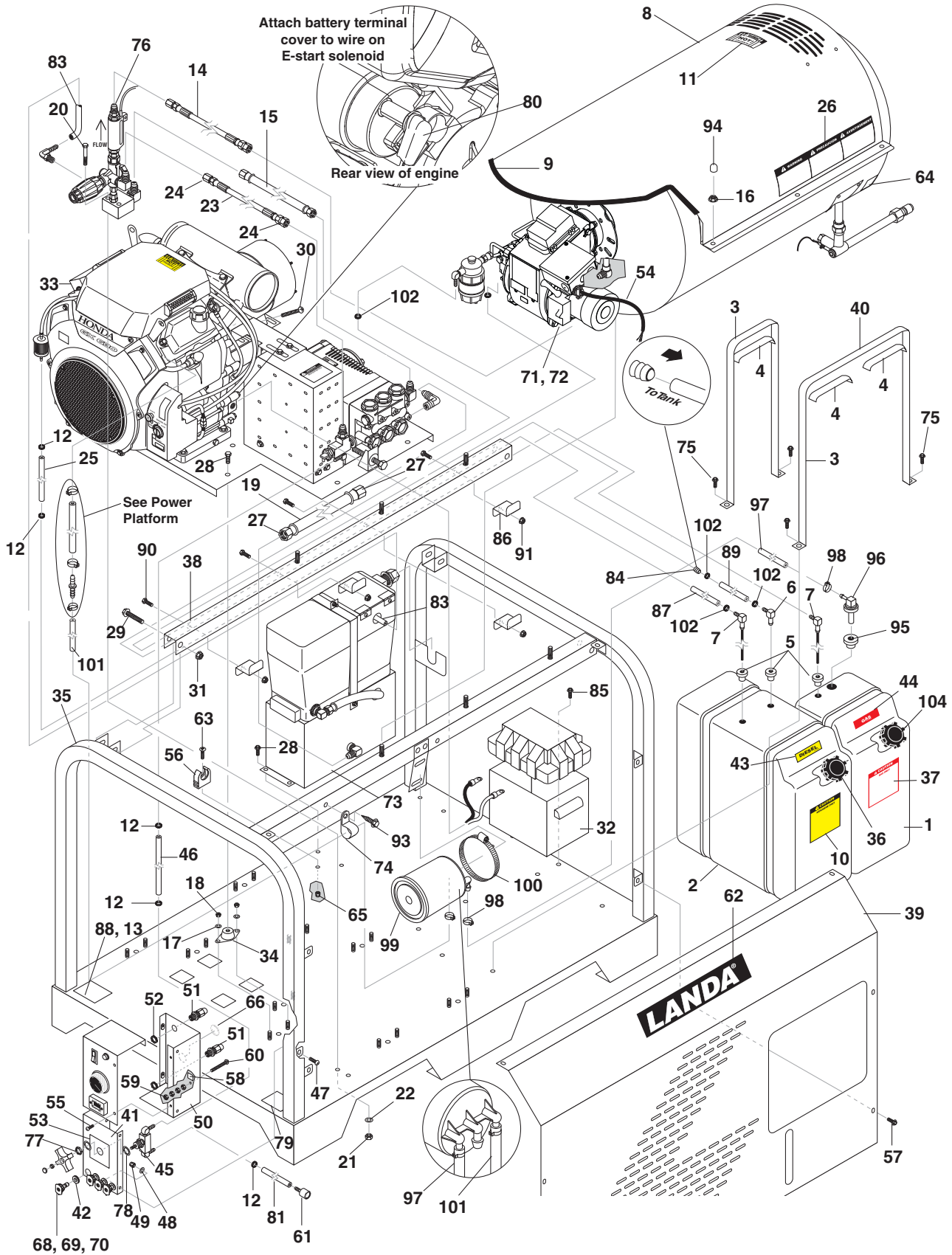
1.110-071.0

PGHW5-3500

1.110-095.0

PGHW8-3000

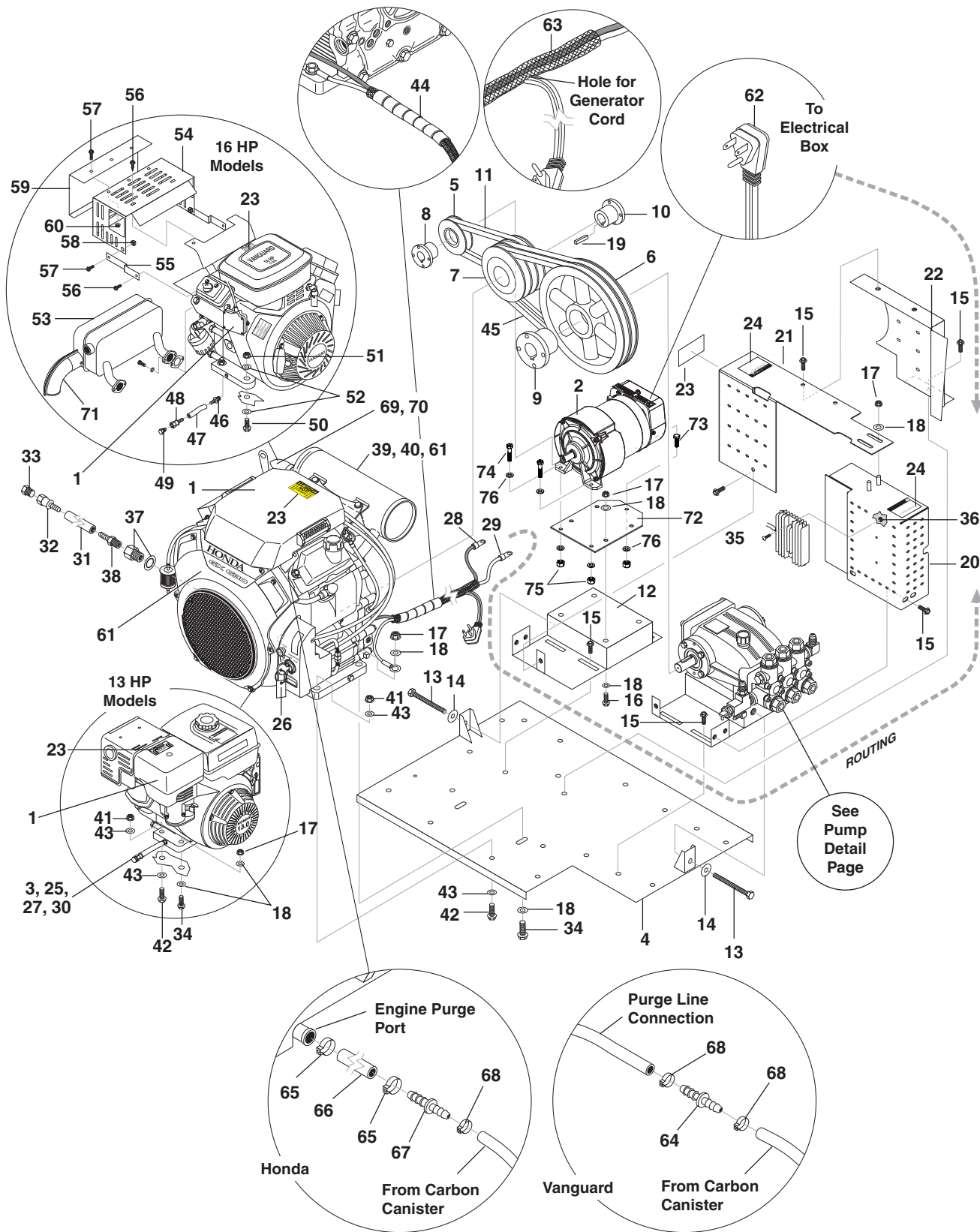
1.110-097.0



REF	PART NO.	QTY	DESCRIPTION	NOTES
1	8.758-282.0	1	TANK, FUEL, 4.75 GALLON, LOW-PERM	ALL EXCEPT 4-3000
2	8.752-187.0	1	TANK, DIESEL, 9.25 GAL	
3	8.921-148.0	2	STRAP, FUEL TANK SINGLE	(4-3000)
-	-	1	STRAP, FUEL TANK SINGLE	ALL EXCEPT 4-3000
4	9.802-193.0	2	GASKET, NEOPRENE 7"	(4-3000)
-	-	3	GASKET, NEOPRENE 7"	ALL EXCEPT 4-3000
5	9.802-053.0	2	BUSHING, RUBBER, NITRILE	(4-3000)
-	-	3	BUSHING, RUBBER, NITRILE	ALL EXCEPT 4-3000
6	9.802-054.0	1	ELBOW, FUEL TANK, ZINC	
7	8.706-496.0	1	DIPTUBE ASSY, PLASTIC, 17.5"	(4-3000)
-	-	2	DIPTUBE ASSY, PLASTIC, 17.5"	ALL EXCEPT 4-3000
8	8.912-192.0	1	TOP WRAP, STAINLESS STEEL	
9	9.802-071.0	33"	TRIM, 750 B2 X 1/16 BLACK	
10	8.758-339.0	1	LABEL, USE ONLY KEROSENE	
11	8.758-328.0	1	LABEL, HOT/CALIENTE W/ARROWS	
12	6.390-126.0	4	HOSE CLAMP	(4-3000)
-	-	6	HOSE CLAMP	ALL EXCEPT 4-3000
13	8.758-330.0	1	LABEL, CLEAR LEXAN 4.30" X 5.50"	
14	8.918-426.0	1	HOSE, 3/8" X 32", 2 WIRE PRESSURE LO	PGHW4/5
-	8.918-225.0	1	HOSE, 1/2" X 28", 2 WIRE, PRESSURE LO	PGHW8
15	8.918-425.0	1	HOSE, 3/8" X 29", 2 WIRE, PRESSURE LO	PGHW4/5
-	8.918-227.0	1	HOSE, 1/2" X 36", 2 WIRE, PRESSURE LO	PGHW8
16	9.802-781.0	6	NUT, 3/8" WHIZ LOC	
17	8.718-980.0	18	WASHER, 5/16" FLAT, SAE	ALL EXCEPT 1.110-095.0 & 1.110-097.0
-	8.718-980.0	22	WASHER, 5/16" FLAT, SAE	1.110-095.0, 1.110-097.0
18	9.802-776.0	18	NUT, 5/16" ESNA, NC	
19	9.802-261.0	24"	HOSE, 3/4"	
20	9.802-728.0	2	BOLT, 3/8-16 x 2", HH ZINC	PGHW4/5
-	9.802-730.0	2	BOLT, 3/8" X 2-1/2" GR 5 ZINC	PGHW8
21	9.802-779.0	2	NUT, 3/8"	
22	9.802-807.0	2	WASHER, FLAT, 3/8"	
23	9.802-259.0	24"	HOSE, 1/2" PUSH-ON	
-	9.802-261.0	24"	HOSE, 3/4" PUSH-ON, /FT	PGHW8
24	9.802-151.0	2	SWIVEL, 1/2" JIC FEM PUSH-ON	
-	9.802-152.0	2	SWIVEL, 3/4" SAE FEM, PUSH-ON	PGHW8
25	9.802-254.0	74"	HOSE 1/4"	ALL EXCEPT 4-3000 & 5-3000
-	9.802-254.0	90"	HOSE 1/4"	(5-3000)
26	8.758-391.0	1	LABEL, PGHW SKID WARNING	
27	9.802-152.0	2	SWIVEL, 3/4" SAE FEM, PUSH-ON	
28	9.802-767.0	13	SCREW, 3/8" X 3/4" HH, NC, WHIZ	ALL EXCEPT 1.110-095.0 & 1.110-097.0
-	9.802-767.0	15	SCREW, 3/8" X 3/4" HH, NC, WHIZ	1.110-095.0, 1.110-097.0
29	8.718-674.0	2	BOLT, 3/8-16 X 2-1/4", GR8.2 SERATED FLANGE B	
30	8.718-781.0	1	SCREW, 40MM, PAN HD	
31	9.802-781.0	2	NUT, 3/8" FLANGE WHIZ LOC NC	
32	8.706-600.0	1	BATTERY, M-100, LARGE	
33	8.916-471.0	1	ASSY, POWER PLATFORM PGHW5-3500	

REF	PART NO.	QTY	DESCRIPTION	NOTES
34	8.932-992.0	9	MOUNT, RUBBER VIBRATION. 3/8" 70 DURO	ALL EXCEPT 1.110-095.0 & 1.110-097.0
-	8.932-992.0	11	MOUNT, RUBBER VIBRATION. 3/8" 70 DURO	1.110-095.0, 1.110-097.0
35	8.920-485.0	1	WLMT, SKID, PGHW	
36	9.802-089.0	1	CAP, TANK	
-	-	1	-	ALL EXCEPT 4-3000
37	8.758-350.0	1	LABEL, THIS TANK FOR GAS ONLY	
38	8.920-295.0	1	WLMT, SUPPORT, COIL,	
39	8.916-456.0	1	PANEL, PGHW	(4-3000, 4-4000, 5-3000, 5-3500)
-	8.916-619.0	1	PANEL, PGDC	(8-3000)
40	8.921-147.0	1	STRAP, FUEL TANK, DOUBLE	ALL EXCEPT 4-3000
41	8.916-460.0	1	CHEMICAL, FRONT, PGHW	
42	9.802-064.0	4	GROMMET, RUBBER NOZZLE HOLDER	
43	8.758-341.0	1	LABEL, DIESEL BLACK ON YELLOW	
44	8.758-388.0	1	LABEL, GAS WHITE ON RED	ALL EXCEPT 4-3000
45	8.902-427.0	1	VALVE, ASSY, CHEMICAL SKID	
46	9.802-251.0	18"	1/2" CLEAR VINYL	
47	9.802-753.0	4	SCREW, 1/4" X 3/4"	
48	9.802-802.0	4	WASHER, FLAT, 1/4"	
49	9.802-773.0	4	NUT, 1/4-20 ESNA NC	
50	8.916-443.0	1	WLMT, BACK ELECTRICAL, PGHW	
51	9.802-514.0	2	STRAIN RELIEF, LT., STR., 1/2 NPT 23-45D	
52	9.802-525.0	2	LOCKNUT, 1/2" 8463	
53	8.758-419.0	1	LABEL, DETERGENT VALVE PGHW	
54	8.925-607.0	1	HARNESS CORD BURNER PGHW	
55	9.802-765.0	4	SCREW, 1/4" X 1/2"	
56	9.802-203.0	1	CLAMP, 12" RO-CLIP	
57	9.803-277.0	6	SCREW, 5/16" X 1/2" WHIZ LOC	(4-3000, 4-4000, 5-3000, 5-3500)
-	9.803-277.0	4	SCREW, 5/16" X 1/2" WHIZ LOC	(8-3000)
58	8.758-327.0	1	LABEL GROUND SYMBOL	
59	9.802-695.0	4	NUT, 10/32" KEPS	
60	9.802-762.0	1	SCREW, 10/32" X 1-1/4" RH, SL, BLK	
61	8.707-058.0	1	STRAINER, 1/4" BRASS W/CHK VALVE	
62	8.758-389.0	1	LABEL LANDA LOGO 21" X 4.75"	
63	9.802-771.0	1	SCREW, 10/32 X 3/4	
64	8.758-334.0	1	LABEL HOT WATER OUTLET	
65	9.802-695.0	1	NUT, 10/32" KEPS	
66	8.706-735.0	1	BUSHING, 1-1/4" SNAP	
68	8.712-346.0	1	NOZZLE, SAQCMEG 1504, YELLOW	(4-4000)
-	8.712-350.0	1	NOZZLE SAQCMEG 15045, YELLOW	(4-3000)
-	8.712-354.0	1	NOZZLE, SAQCMEG 1505, YELLOW	(5-3500)
-	8.712-358.0	1	NOZZLE, SAQCMEG, 1505.5 YELLOW	(5-3000)
-	8.712-379.0	1	NOZZLE, SAQCMEG, 1509	(8-3000)
69	8.712-347.0	1	NOZZLE, SAQCMEG 2504, GREEN	(4-4000)
-	8.712-351.0	1	NOZZLE, SAQCMEG 25045, GREEN	(4-3000)
-	8.712-355.0	1	NOZZLE, SAQCMEG 2505, GREEN	(5-3500)
-	8.712-359.0	1	NOZZLE, SAQCMEG, 2502.5 GREEN	(5-3000)
-	8.712-380.0	1	NOZZLE SAQC MEG, 2509	(8-3000)

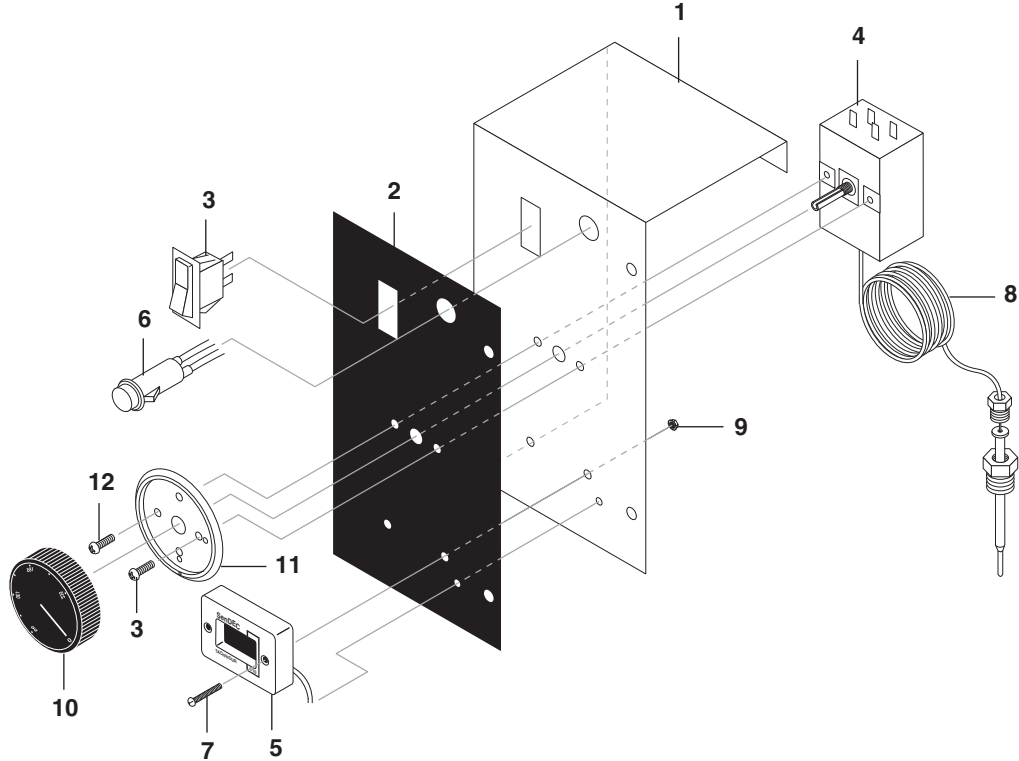
REF	PART NO.	QTY	DESCRIPTION	NOTES
70	8.712-348.0	1	NOZZLE, SAQCMEG, 4004 WHITE	(4-4000)
-	8.712-352.0	1	NOZZLE, SAQCMEG 4004.5, WHITE	(4-3000)
-	8.712-356.0	1	NOZZLE, SAQCMEG 4005 WHITE	(5-3500)
-	8.712-360.0	1	NOZZLE, SAQCMEG 4005.5 WHITE	(5-3000)
-	8.712-381.0	1	NOZZLE, SAQC MEG, 4009	(8-3000)
71	8.916-480.0	1	ASSY, COIL TANK PGHW	
72	8.756-435.0	1	BURNER, EHASR 120V 2T 120V S	PGHW4 SERIES
-	8.756-413.0	1	BURNER, EHASR 120VAC 2T 120V S	PGHW5 AND 8 GPM
73	8.916-477.0	1	ASSY, FLOAT TANK, PGHW	
74	9.802-204.0	1	CLAMP, HOSE CL13	
75	9.802-768.0	4	SCREW, 3/8" x 1-1/4", WHIZ LOC FLANGE	
76	-	1	ASSY, UNLOADER, PGHW	(SEE UNLOADER / PUMP)
77	9.802-810.0	1	WASHER, FLAT, 5/8"	
78	8.719-011.0	1	WASHER, 5/8" STAR	
79	8.758-361.0	1	LABEL LANDA SKID OPERATING INSTRUCTIONS	
80	9.804-615.0	1	COVER, BATTERY TERMINAL, RED	(HONDA ONLY)
81	9.802-251.0	96"	HOSE, 1/2" CLEAR VINYL	
82	8.756-697.0	1	FUEL NOZZLE, 2.50 X 80 A WITH 100PSI CHECK VALVE	NOT SHOWN (5-3000, 5-3500, 8-3000)
-	8.756-409.0	1	CONNECTOR, LEVER NUT, 2-WIRES	NOT SHOWN
-	8.756-410.0	1	CONNECTOR, LEVER NUT, 3-WIRES	NOT SHOWN
-	8.756-411.0	1	CONNECTOR, LEVER NUT, 5-WIRES	NOT SHOWN
83	9.802-252.0	68"	TUBE BRAIDED, VINYL	
84	8.754-911.0	1	CHECK VALVE, 1 WAY, 1/4" BARB	
85	9.802-708.0	2	SCREW, 5/16 X 3/4"	
86	8.759-732.0	4	BRACKET FUEL LINE	
87	9.802-254.0	90"	HOSE 1/4"	
88	8.758-336.0	1	LABEL, ASSEMBLED IN USA OUTDOOR USE	
89	9.802-254.0	90"	HOSE, 1/4	
90	9.802-759.0	4	SCREW, 10/32 X 1/2	
91	9.802-695.0	4	NUT, 10/32" KEPS	
92	8.709-089.0	1	CLAMP, WIRE/TUBE	
93	9.802-797.0	2	SCREW, #10 X 1/2" TEK, SS	
94	8.750-435.0	6	CAP, BLACK VINYL	
95	8.751-215.0	1	GROMMET, REMOTE VENT	ALL EXCEPT 4-3000
96	8.751-059.0	1	VENT, REMOTE ASSY	ALL EXCEPT 4-3000
97	9.802-254.0	13"	HOSE 1/4"	ALL EXCEPT 4-3000
98	8.753-066.0	4	CLAMP, 1 EAR, #7	ALL EXCEPT 4-3000
99	8.751-380.0	1	CARBON CANISTER, 850CC	ALL EXCEPT 4-3000
100	8.752-918.0	1	CLAMP, HOSE, #64 SS	ALL EXCEPT 4-3000
101	9.802-254.0	57"	HOSE 1/4"	ALL EXCEPT 4-3000
102	8.709-069.0	4	CLAMP, SCREW, 5/16"W, 1/4-5/8" D, SS	
103	8.755-610.0	1	FUEL NOZZLE, 1.75 X 80 A WITH 100PSI CHECK VALVE	NOT SHOWN (4-4000, 4-3000)
104	8.750-674.0	1	CAP, FUEL, NON VENT	
105	9.802-710.0	4	SCREW 5/16" X 1" NC	NOT SHOWN (1.110-095.0, 1.110-097.0)



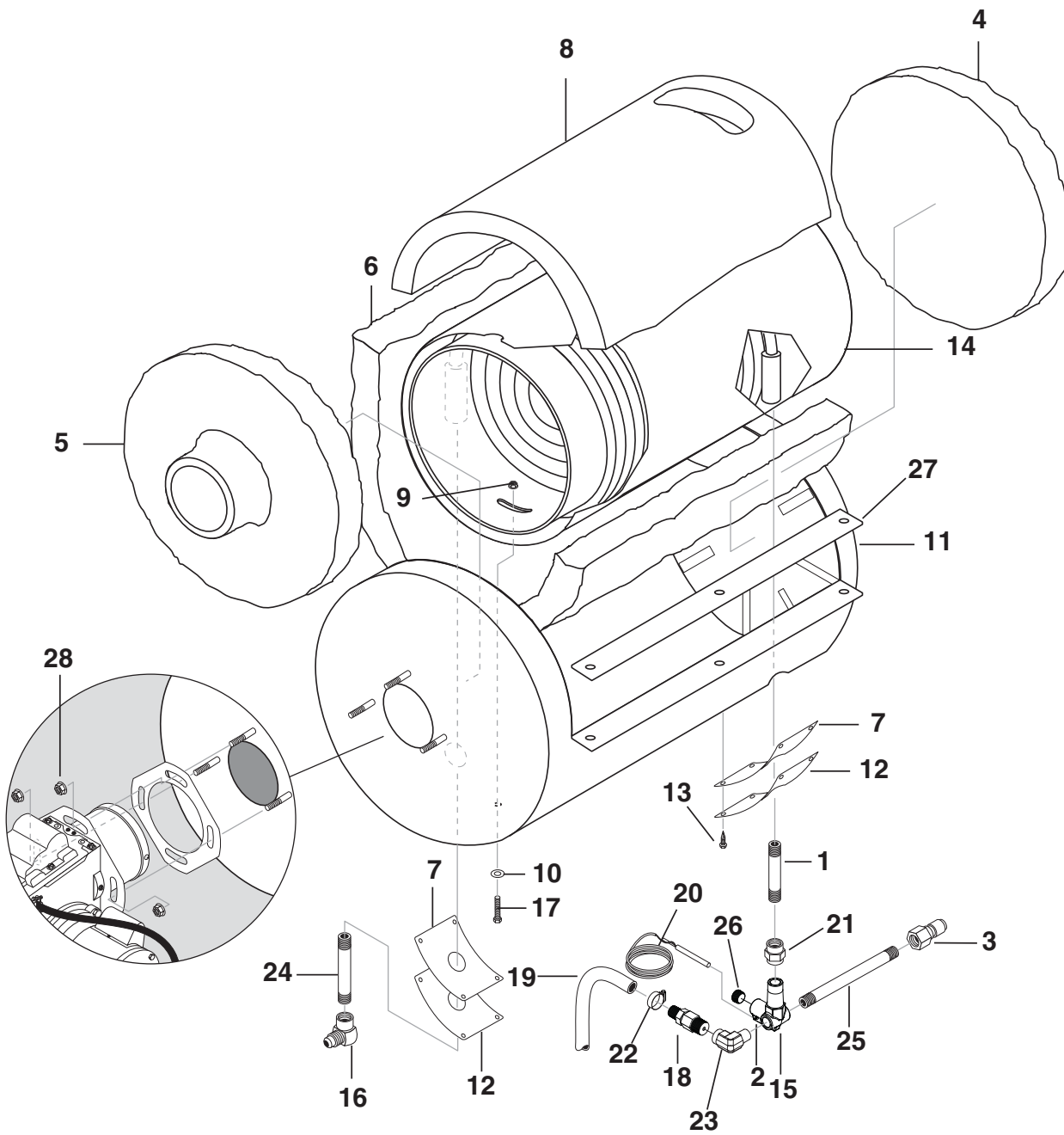
REF	PART NO.	QTY	DESCRIPTION	NOTES
1	-	-	ENGINE	SEE SPECIFICATIONS PAGES
2	8.757-639.0	1	GENERATOR, TB2400	
3	9.802-154.0	1	PLUG, PUSH-ON, OIL DRAIN, HONDA	(4-3000)
4	8.916-442.0	1	WLMT, PLATFORM PGHW	(ALL EXCEPT 095.0 & 097.0)
-	8.931-555.0	1	WELDED ASSEMBLY POWER PLATFORM	(095.0 & 097.0)
5	-	-	GENERATOR PULLEY	SEE SPECIFICATIONS PAGES
6	-	-	PUMP PULLEY	SEE SPECIFICATIONS PAGES
7	-	-	ENGINE PULLEY	SEE SPECIFICATIONS PAGES
8	-	-	GENERATOR BUSHING	SEE SPECIFICATIONS PAGES
9	-	-	PUMP BUSHING	SEE SPECIFICATIONS PAGES
10	-	-	ENGINE BUSHING	SEE SPECIFICATIONS PAGES
11	9.802-412.0	1	BELT, BX22 "OPTI-BELT" ONLY	
12	8.925-527.0	1	SLIDER TB2400 GENERATOR MILD STEEL	
13	9.803-845.0	2	BOLT, 1/2" X 5" NC HH TAP ALL THREAD	
14	9.802-800.0	2	WASHER, 1/2" FLAT	
15	9.802-767.0	17	SCREW, 3/8" X 3/4" HH, NC WHIZ	
16	9.802-720.0	4	BOLT, 3/8" X 1" NC HH	
17	9.802-779.0	8	NUT, 3/8"	
18	9.802-807.0	14	WASHER, FLAT 3/8"	
19	9.802-959.0	1	KEY, 0.247 SQR X 2.125"	(ALL EXCEPT 095.0 & 097.0)
-	9.802-673.0	1	KEY, SHAFT, 16 HP VANGUARD	(095.0 & 097.0)
20	8.922-995.0	1	WLMT, BELT GUARD, GAS PUMP	ALL EXCEPT 4-3000
-	8.922-994.0	1	WLMT, BELT GUARD	(4-3000)
21	8.925-524.0	1	BELT GUARD GENERATOR MILD STEEL PGHW	ALL EXCEPT 4-3000
-	8.925-531.0	1	BELT GUARD GENERATOR MILD STEEL PGHW4-3	(4-3000)
22	8.925-525.0	1	WLMT, MID BELT GUARD	
23	8.758-328.0	2	LABEL, HOT/CALIENTE W/ARROWS	
24	8.758-329.0	2	LABEL, WARNING, EXPOSED PULLEYS	
25	9.802-254.0	7"	HOSE, 1/4"	(4-3000)
26	8.913-902.0	1	KEY, RING LANDA	
27	9.802-153.0	1	SWIVEL, 1/4" JIC FEM, PUSH-ON	(4-3000)
28	8.753-358.0	1	CABLE, BATTERY, 61" EYE TO EYE, RED	
29	8.753-359.0	1	CABLE, BATTERY, 61" EYE TO EYE, BLACK	
30	9.802-125.0	1	PLUG, 1/4" JIC	(4-3000)
31	9.802-259.0	8"	HOSE, 1/2" PUSH-ON	
32	9.802-151.0	1	SWIVEL, 1/2" JIC FEM, PUSH-ON	
33	9.802-126.0	1	PLUG, 1/2" JIC FLARE 639F-8"	
34	9.802-728.0	2	THREADED BOLT 3/8" X 2"	
35	9.802-771.0	2	SCREW, 10/32" X 3/4" BH SOC CS	HONDA
36	9.802-695.0	2	NUT, 10/32" KEPS	HONDA

Power Platform

REF	PART NO.	QTY	DESCRIPTION	NOTES
37	8.750-737.0	1	ADAPTER, HONDA, M20-1.5 X 3/8" FPT	HONDA
-	9.803-052.0	1	REDUCER, M14 TO 1/4" F	LONGIN
-	8.757-969.0	1	ELBOW STREET STEEL 1/4 NPTF-MX3/8 NPTF-F	LONGIN
38	8.757-487.0	1	HOSE BARB, 1/2" BARB X 3/8", BRASS	
39	8.750-497.0	1	MUFFLER, HONDA, GX630/ GX660RIGHT	
40	8.739-597.0	2	BOLT, FLANGE, 8 X 20MM, GX610/620	
41	8.725-319.0	2	NUT, 7.16-14 NYL, INS LN ZC	
42	8.725-320.0	2	BOLT, 7/16-14 X 2 HEX TAP GRD5 ZC	
43	9.802-809.0	4	WASHER, 1/2" FLAT, SAE	
44	9.802-445.0	10"	WRAP, SPIRAL, 1/2" BLACK	
45	-	2	BELT	SEE SPECIFICATION PAGES
46	8.757-487.0	1	HOSE BARB, 1/2" BARB X 3/8", BRASS	VANGUARD
47	9.802-259.0	7"	HOSE, 1/2" PUSH-ON	VANGUARD
48	9.802-151.0	1	SWIVEL, 1/2" JIC FEM, PUSH-ON	VANGUARD
49	9.802-126.0	1	PLUG, 1/2" JIC FLARE, 639F-8"	VANGUARD
50	9.802-716.0	4	BOLT, 5/16" X 2" NC HH	VANGUARD
51	9.802-776.0	4	NUT, 5/16" ESNA, NC	VANGUARD
52	8.718-980.0	8	WASHER, 5/16" FLAT SAE	VANGUARD
53	9.802-672.0	1	MUFFLER, EXHAUST, BRIGGS, 16HP, HI-RIGHT	VANGUARD
54	9.802-867.0	1	GUARD, MUFFLER, 16 HP VANGUARD	VANGUARD
55	9.802-868.0	2	BRACE, VANGUARD, MUFFLER BRACKET	VANGUARD
56	9.802-830.0	4	SCREW, HEX 1/4"-20 X 1/2" T/F TCS	VANGUARD
57	9.802-754.0	5	SCREW, 1/4" X 1/2" HH, NC, WHIZ LOC	VANGUARD
58	9.802-794.0	2	NUT, CAGE, 1/4" X 12 GA	VANGUARD
59	9.803-011.0	1	SHIELD, HEAT, VANGUARD	VANGUARD
60	9.802-775.0	3	NUT, 1/4" FLANGE, ZN	VANGUARD
61	8.758-356.0	4	LABEL RPM FACTORY SET	
62	8.757-898.0	1	CORD SERVICE 12/3 X 15' SJOW 120V 15A	
63	9.804-072.0	1	CONDUIT, WIRE 48" COVER	
64	8.753-269.0	1	REDUCER, CONNECTOR 1/4" X 3/16" 1	(5-3000)
65	8.753-065.0	2	CLAMP, 1 EAR, #10	(4-4000, 5-3500, 8-3000)
66	8.711-785.0	6"	HOSE, 3/8" PUSH-ON	(4-4000, 5-3500, 8-3000)
67	8.753-270.0	1	REDUCER, CONNECTOR 3/8" X 1/4"	(4-4000, 5-3500, 8-3000)
68	8.753-066.0	1	CLAMP, 1 EAR, #7	HONDA
-	-	2	CLAMP, 1 EAR, #7	VANGUARD
69	8.915-387.0	1	EXHAUST DEFLECTOR	HONDA
70	9.802-798.0	1	SCREW, TEK HEX HED	HONDA
71	8.718-028.0	1	EXHAUST DEFLECTOR	VANGUARD
72	8.925-529.0	1	ADAPTER PLATE TB2400 MILD STEEL PGHW	
73	9.802-710.0	1	SCREW 5/16" X 1" NC	
74	9.802-713.0	2	BOLT, 5/16" X 1-1/2", NC HH(612975)	
75	9.802-776.0	3	NUT, 5/16-18, ESNA	
76	8.718-980.0	5	WASHER, 5/16" FLAT, SAE (780452)	

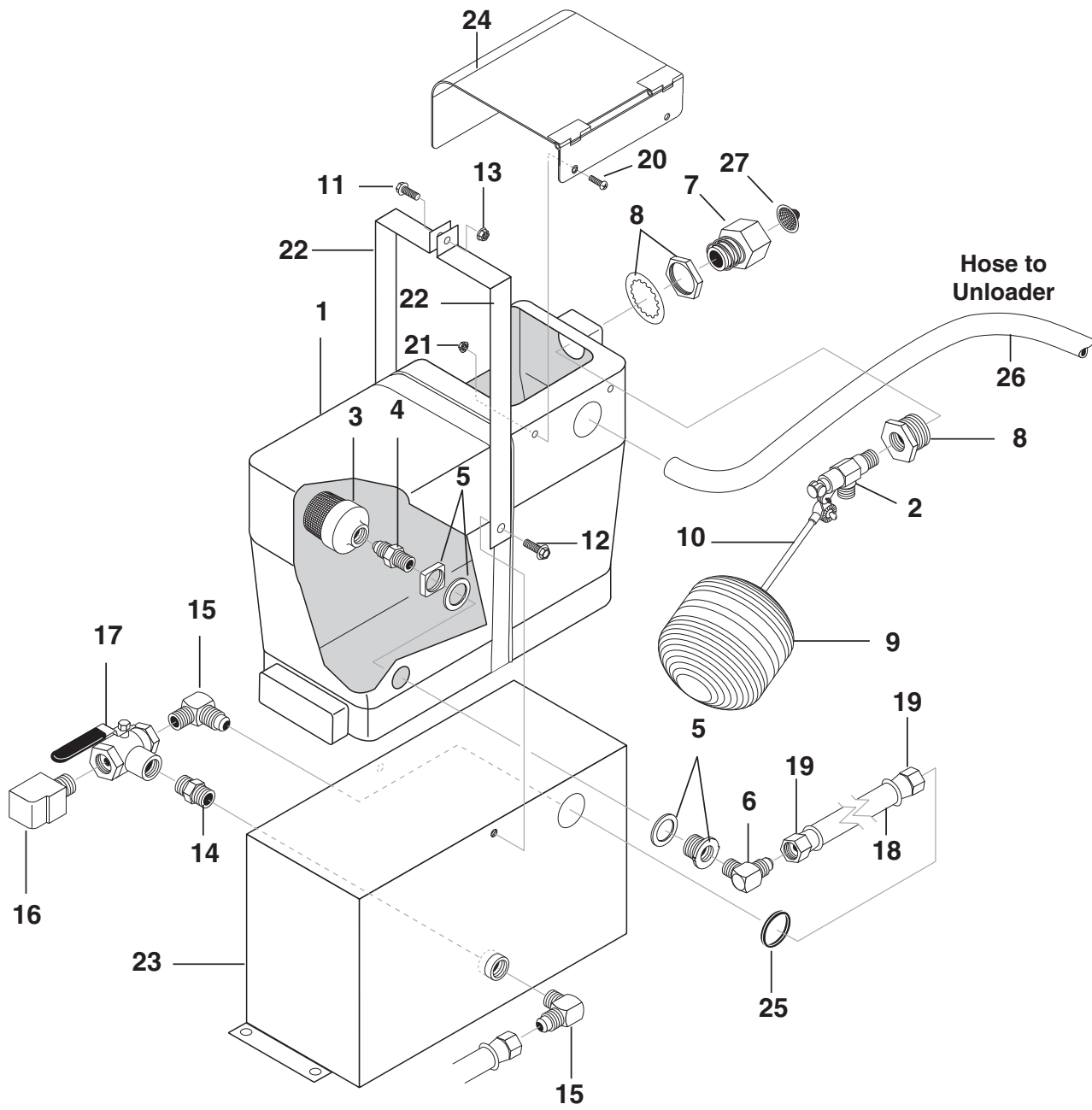


REF	PART NO.	QTY	DESCRIPTION	NOTES
1	8.916-458.0	1	CONTROL, FRONT, PGHW	
2	8.758-409.0	1	LABEL, ELECTRICAL PGHW	
3	9.802-453.0	1	SWITCH, CURVETTE RA901VB-B-1-V CARLING	
4	8.750-094.0	1	THERMOSTAT 302° F	
5	8.904-540.0	1	METER, TACH/HR, 12VDC, SENDEC W/MAGNET TOOL	
6	9.802-455.0	1	LIGHT, INDICATOR, GREEN 125V	
7	9.802-748.0	2	SCREW, 6/32" X 3/8" RND, HD MCH	
8	9.802-447.0	48"	CONDUIT TUBING, 1/4"	
9	9.802-784.0	2	NUT, 6-32 KEPS	
10	8.750-096.0	1	KNOB, THERMOSTAT 302° F	
11	8.712-190.0	1	BEZEL, THERMOSTAT	
12	8.718-779.0	2	SCREW, 4 MM X 6MM	
-	8.756-410.0	1	CONNECTOR, LEVER NUT, 3-WIRES	NOT SHOWN
-	8.756-411.0	1	CONNECTOR, LEVER NUT, 5-WIRES	NOT SHOWN



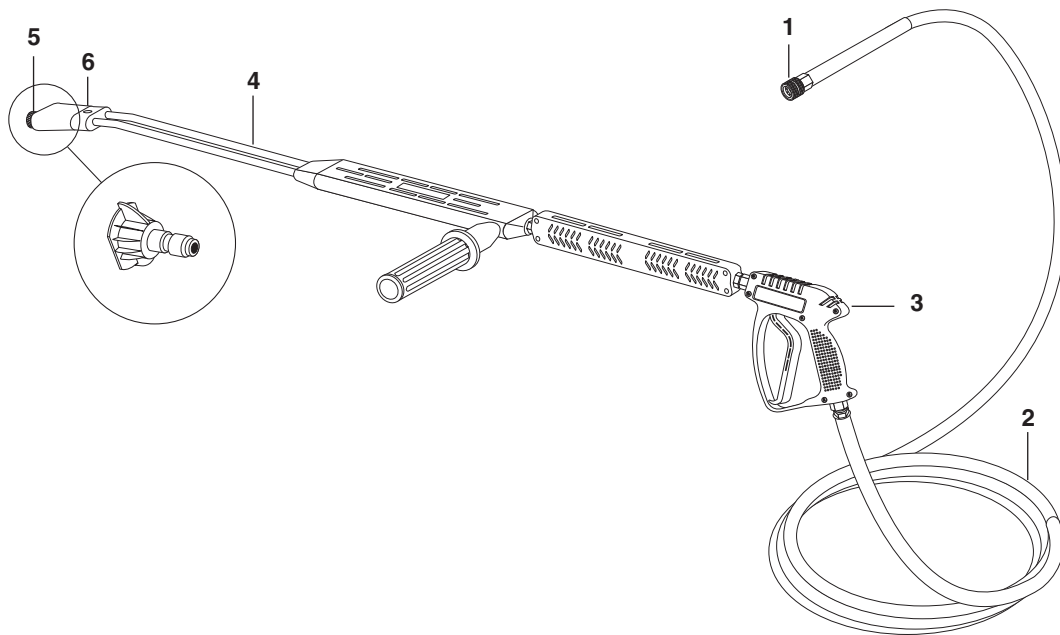
REF	PART NO.	QTY	DESCRIPTION	NOTES
1	8.757-231.0	1	NIPPLE, 1/2" X 3", TAGGED	
2	9.196-012.0	1	SCREW, 10 X 24 X 1/4"	
3	9.802-170.0	1	COUPLER, 3/8" PLUG, FEMALESTEEL/ZINC	
4	9.802-883.0	1	INSULATION, FRONT HEAD, NO HOLE	
5	9.802-894.0	1	INSULATION, BURNER HEAD, W/HOLE	
6	9.802-896.0	1	INSULATION, BLANKET, NO FOIL 24" X 57"	
7	8.933-009.0	2	GASKET, BURNER PLATE	
8	9.802-902.0	1	INSUL/BLANKET, DIE CUT 28" X 24" X 1"	
9	9.802-781.0	2	NUT, 3/8" FLANGE WHIZ LOC, NC	
10	9.802-807.0	2	WASHER, FLAT 3/8"	
11	8.916-486.0	1	WLMT, BOTTOM WRAP	
12	9.803-132.0	2	INSULATION RETAINER PLATE	
13	9.802-797.0	8	SCREW, SS #10 X 1/2 HEX HEAD TEK	
14	8.925-216.0	1	SPARE COIL SCH 80W/ALUMNZD STL	
15	8.757-240.0	1	MANIFOLD, COIL OUTLET DISCHARGE, W/TAG	
16	8.757-363.0	1	ELBOW, 90°, 3/4-16 JIC X 1/2 NPTF (F) 90°	
17	9.802-727.0	2	BOLT, 3/8" X 1-3/4" TAP	
18	8.707-381.0	1	RUPTURE DISC ASSY, 8500#	
19	9.802-260.0	26"	HOSE, 5/8" PUSH ON	
20	8.750-094.0	2	THERMOSTAT 302° F	
21	8.706-141.0	1	COUPLING, 1/2" HEX	
22	9.803-559.0	1	CLAMP,SCREW,9/16"W, 1-1/4"OD, SS	
23	8.757-239.0	1	ELBOW, 3/8" MPT x 1/2" FPT ST, STEEL, W/TAG	
24	8.757-232.0	1	NIPPLE, 1/2" X 4", TAGGED"	
25	8.757-230.0	1	NIPPLE, 3/8" X 8", TAGGED	
26	8.757-241.0	1	PLUG, 3/8" ALLEN COUNTER SUNK, W/TAG	
27	8.928-283.0	2	SPACER, COIL WRAP, SS	STAINLESS OPTION ONLY
28	9.802-778.0	3	NUT, 5/16" WHIZ LOC FLANGE	

Float Tank

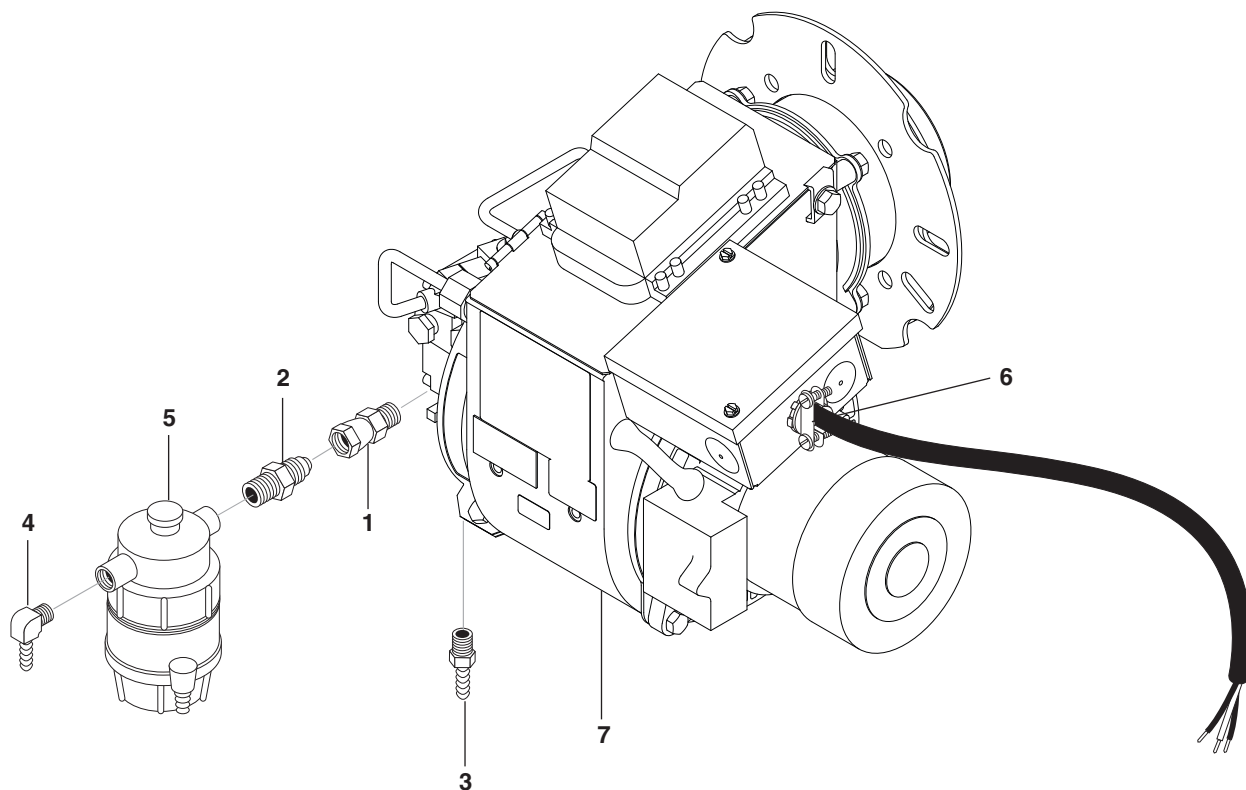


REF	PART NO.	QTY	DESCRIPTION	NOTES
1	9.804-042.0	1	TANK, FLOAT 1-1/2 GAL	
2	8.749-328.0	1	FLOAT VALVE, 1/2" KERICK	
3	8.707-061.0	1	STRAINER, 1/2" BASKET	
4	8.757-200.0	1	ADAPTER, 1/2" 45° SAE x 1/2" M-NPTF BRASS	
5	8.750-743.0	1	BULKHEAD, 1/2" POLYPRO	
6	8.757-202.0	1	ELBOW, 3/4" 45° SAE X 1/2" M-NPTF, BRASS	
7	8.757-203.0	1	SWIVEL, 1/2" M-NPTF x 3/4" GHF	
8	8.707-000.0	1	CONNECTOR, 1/2" ANCHOR	
9	8.706-512.0	1	BALL, FLOAT, BLACK PLASTIC	
10	9.803-671.0	1	ROD, THREADED, 1/4" X 5	
11	9.802-768.0	1	SCREW, 3/8" X 1-1/4" WHIZ	
12	9.802-767.0	2	SCREW, 3/8" X 3/4" WHIZ	
13	9.802-781.0	1	NUT, 3/8" FLANGE, WHIZ LOC	
14	8.757-484.0	1	NIPPLE, HEX, 3/4", BRASS	
15	8.757-503.0	2	ELBOW, 3/4" MSAE X 3/4" NPTF, BRASS	
16	8.757-658.0	1	ELBOW STREET BRASS 3/4	
17	9.803-558.0	1	VALVE, 3/4" BRASS	
18	9.802-261.0	10.25"	HOSE, 3/4" PUSH-ON	
19	9.802-152.0	2	SWIVEL, 3/4" PUSH-ON	
20	9.802-771.0	2	SCREW, 10/32" X 3/4"	
21	9.802-695.0	2	NUT, 10/32" KEPS	
22	8.916-457.0	2	STRAP, FLOAT TANK	
23	8.916-448.0	1	WLMT, BASE, FLOAT TANK	
24	8.916-446.0	1	WLMT, LID, FLOAT TANK	
25	8.706-534.0	1	GROMMET, 2" RUBBER	
26	9.802.252.0	68"	TUBE, BRAIDED VINYL	
27	9.804-016.0	1	FILTER SCREEN WASHER, GARDEN HOSE/ 30MESH	

Hose & Spray Gun

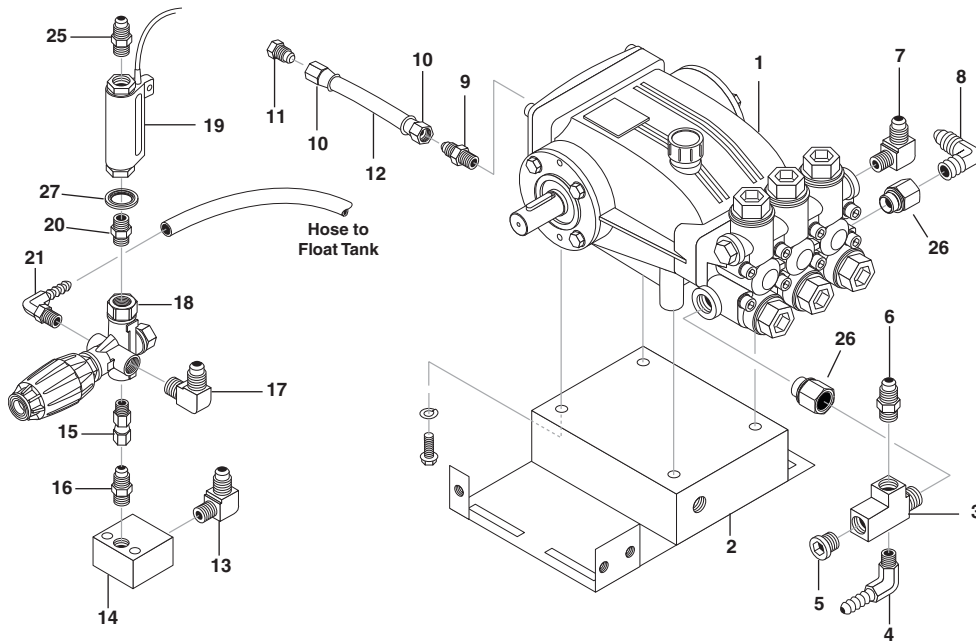


REF	PART NO.	QTY	DESCRIPTION	NOTES
1	9.802-166.0	1	COUPLER, 3/8" FEMALE	
-	9.802-100.0	1	O-RING, 3/8",REPLACEMENT ONLY	NOT SHOWN
2	8.925-132.0	1	HOSE, 3/8" X 50' 2W 6000PSI SW/SO/CPL	PGHW4-3; 4-35; 5-3; 5-35
-	8.925-244.0	1	HOSE, 1/2"X50' 2W 5000PSI LAN SW,SO,CPL	PGHW8-3000
3	8.751-234.0	1	GUN, LANDA, L1050, 5000 PSI, 10.4 GPM	PGHW8
4	8.711-308.0	1	VP WAND SS (AL344) W/COUPLER, SOAP NOZZLE	
-	83-SSVPKIT	1	REPAIR KIT, AL STAINLESS SEAT	NOT SHOWN
5	9.802-165.0	1	COUPLER, 1/4" MALE	
-	9.802-096.0	1	O-RING, REPLACEMENT ONLY	NOT SHOWN
6	9.802-286.0	1	NOZZLE, 1/8" SOAP, BRASS	NOT SHOWN
7	8.707-139.0	1	COUPLER, 1/4"PLUG, MALE, STEEL/ZINC	NOT SHOWN
8	9.802-164.0	1	COUPLER, 1/4"SOCKET, FEMALE, BRASS	NOT SHOWN

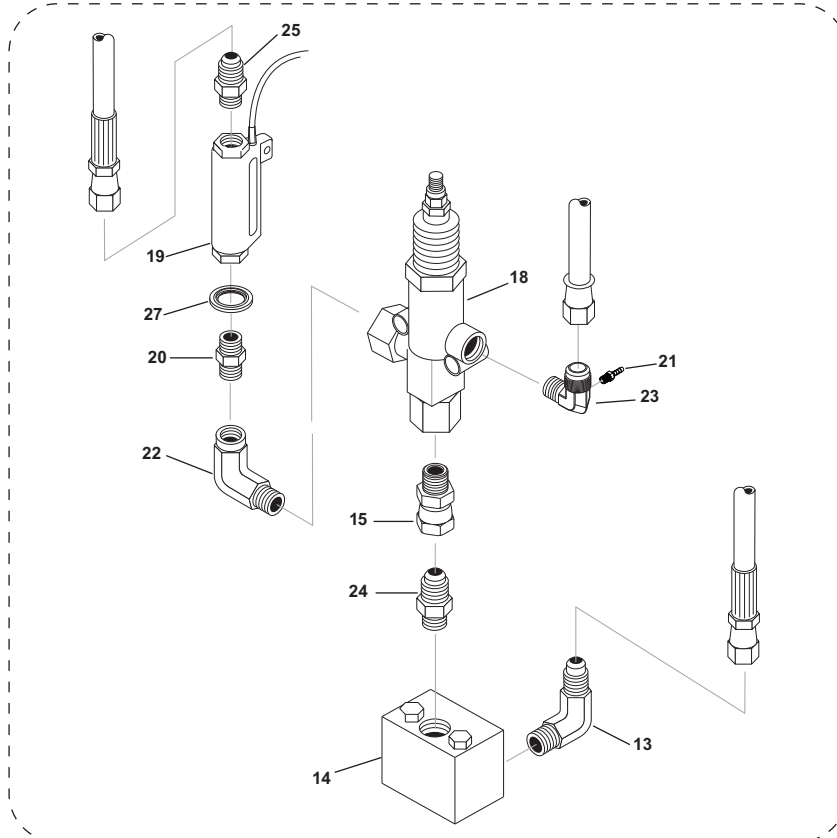


REF	PART NO.	QTY	DESCRIPTION	NOTES
1	8.757-673.0	1	ADAPTER SWIVEL STEEL 1/4 JICX1/4 NPTF(M)	
2	8.757-674.0	1	ADAPER STEEL 1/4 JIC X 1/4 NPTF (M)	
3	8.757-199.0	1	HOSE BARB, 1/4" BARB X 1/4" M-NPTF, BRASS	
4	8.757-205.0	1	HOSE BARB, 1/4" BARB X 1/4" M-NPTF, 90°	
5	8.709-158.0	1	FILTER, LANDA FUEL/OIL/H2O SEPARATOR	
6	9.802-519.0	1	STRAIN RELIEF, 1/2" METAL, 2 SCREW	
7	8.756-435.0	1	BURNER, EHASR 120V 2T 120V S	PGHW4 SERIES
-	8.756-413.0	1	BURNER, EHASR 120VAC 2T 120V S	PGHW5 SERIES
8	8.757-643.0		ADAPTER BRASS 1/4 X 1/4	LONCIN - NOT SHOWN
9	8.706-827.0		ELBOW 1/4" STREET BRASS	LONCIN - NOT SHOWN

Unloader & Pump



PGHW8-3000 ONLY



REF	PART NO.	QTY	DESCRIPTION	NOTES
1	8.921-713.0	1	PUMP, LT6036L	5-3500, 5-3000
-	8.921-711.0	1	PUMP, LT4540L	4-4000, 4-3000
-	8.920-590.0	1	PUMP, LANDA LX9536L.2, 9.5@3625 1740RPM	8-3000
2	8.912-461.0	1	ASSY, GAS PUMP PLATE	
3	8.757-224.0	1	TEE, STREET 1/2" W/HOLE TAP	
4	8.757-204.0	1	HOSE BARB, 1/4" BARB X 1/8" M-NPTF, 90°	
5	8.757-657.0	1	PLUG HEX BRASS 1/2" NPTF (M)	
6	8.757-200.0	1	ADAPTER, 1/2" 45° SAE X 1/2" M-NPTF BRASS	
-	8.757-194.0	1	ADAPTER, 3/4" 45° SAE X 1/2" M-NPTF, BRASS	8-3000
7	8.757-616.0	1	ADAPTER 1/2 JIC (M) X 3/8 BSPP (M) 90°	
-	8.757-617.0	1	ADAPTER 1/2 JIC (M) X 1/2 BSPP (M) 90°	8-3000
8	8.757-202.0	1	ELBOW, 3/4" 45° SAE X 1/2" M-NPTF, BRASS	
9	8.758-007.0	1	ADAPTER BRASS 1/2 JIC (M) X 3/8 NPTF (M)	
10	9.802-151.0	2	SWIVEL 1/2" PUSH-ON	
11	9.802-126.0	1	PLUG, 1/2" JIC	
12	9.802-259.0	20"	HOSE, 1/2" PUSH-ON	
13	8.757-509.0	1	ELBOW, 3/4"-16 SAE X 3/8" NPTF(M), STEEL	4-3000, 4-4000, 5-3000, 5-3500
-	8.757-510.0	1	ELBOW, 3/4"-16 SAE, 1/2"NPTF (M), STEEL	8-3000
14	9.802-870.0	1	BLOCK, UNLOADER, 3/8 X 3/8, 1.25 BRASS	4-3000, 4-4000, 5-3000, 5-3500
-	9.802-869.0	1	BLOCK, UNLOADER, 1/2 X 1/2, 1.75, STEEL	8-3000
15	8.757-656.0	1	ADAPTER SWIVEL STEEL 1/2 JICX3/8 NPTF(M)	
-	8.757-624.0	1	SWIVEL 1/2 JIC (F) X 1/2 NPTF (M)	8-3000
16	8.757-655.0	1	ADAPTER STEEL 1/2" JIC X 3/8" NPTF(M)	4-3000, 4-4000, 5-3000, 5-3500
17	8.757-262.0	1	ELBOW, 1/2" 45° SAE X 3/8" M-NPTF, BRASS	4-3000, 4-4000, 5-3000, 5-3500
18	8.750-299.0	1	UNLOADER VRT 3, 8 GPM @ 4500 PSI	4-3000, 4-4000, 5-3000, 5-3500
-	8.712-708.0	1	UNLOADER VALVE(GIANT 22913) 30	8-3000
19	8.933-006.0	1	SWITCH, FLOW MV60	
20	8.757-653.0	1	NIPPLE HEX STEEL 3/8" NPTF X 3/8" BSPP	
21	8.757-644.0	1	HOSE BARB BRASS 1/4 X 3/8 NPTF (M) 90°	4-3000, 4-4000, 5-3000, 5-3500
-	8.757-201.0	1	HOSE BARB, 1/4" BARB X 1/8" M-NPTF	8-3000
22	8.757-654.0	1	ELBOW STREET STEEL NPTF 1/2 (M)X3/8 (F)	8-3000
23	8.757-659.0	1	ELBOW BRASS 3/4 JICX1/2 NPTF W/ 1/8 TAP	8-3000
24	8.757-508.0	1	ADAPTER, 3/4"-16SAE X 1/2" NPTF(M),STEEL	8-3000
25	8.756-875.0	1	ADAPTER, 3/4-16 M JIC X G 3/8-19 M	
26	8.756-874.0	2	ADAPTER, G 1/2-14 X 1/2-14 NPTF	
-	8.757-626.0	2	ADAPTER 3/4 BSPP (M) X 1/2 NPTF (F)	8-3000
27	8.757-211.0	1	SEAL, BONDED, BSPP, 3/8" (-06)	

Specifications

Landa Pump

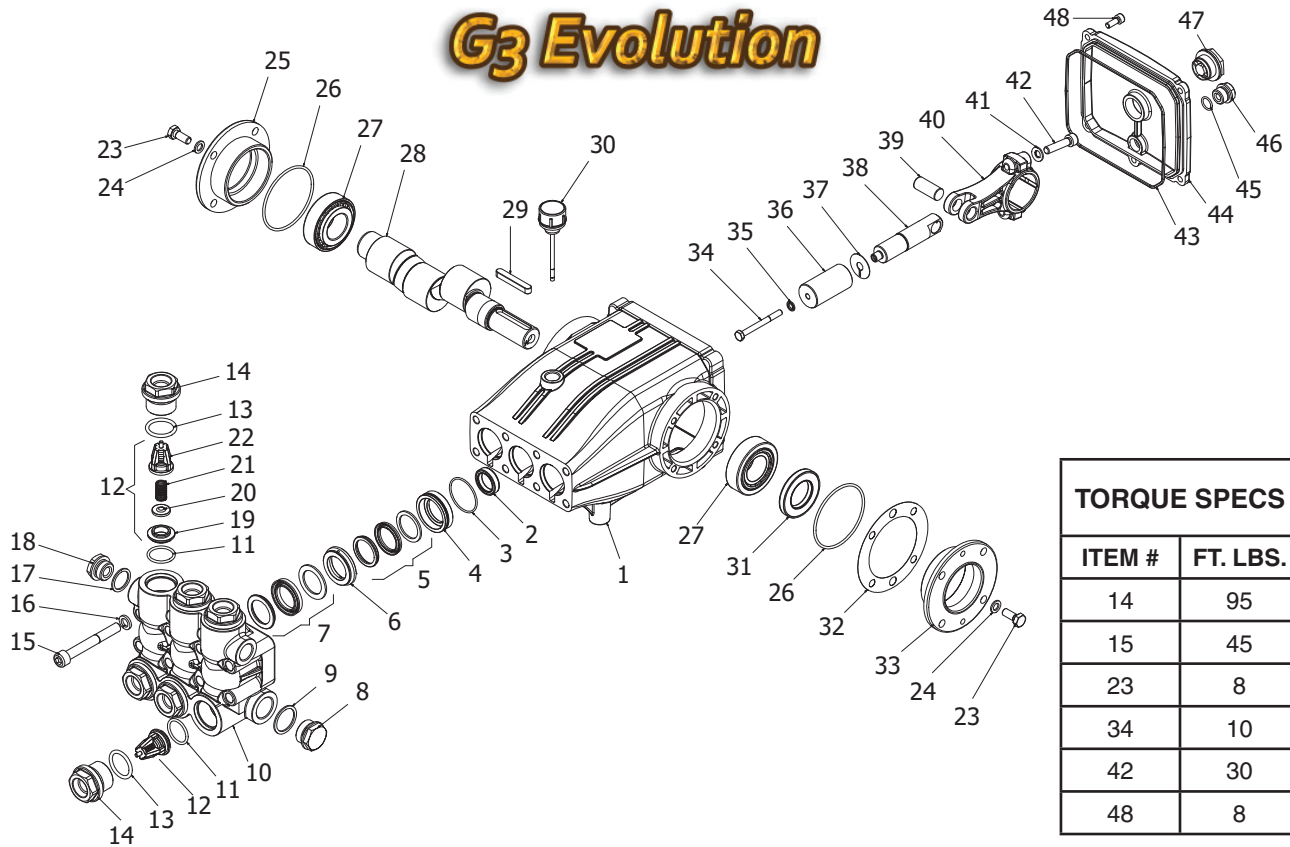
Pump									Engine	
Model #	Pump Model	Part #	Pulley	Pulley Part #	Bushing	Bushing Part #	Belt Size/Qty	Belt Part #	Model	Type
4-30324E	LT4540/L	8.921-711.0	2BK90	8.715-593.0	25mm	9.802-403.0	BX36 (2)	8.715-697.0	GX390 (389CC)	Honda
4-40324E	LT4540/L	8.921-711.0	2BK90	8.715-593.0	25mm	9.802-403.0	BX36 (2)	8.715-697.0	GX630 (688CC)	Honda
5-30224E	LT6036/L	8.921-713.0	2BK90	8.715-593.0	25mm	9.802-403.0	BX36 (2)	8.715-697.0	VAN (570CC)	Briggs
5-35324E	LT6036/L	8.921-713.0	2BK90	8.715-593.0	25mm	9.802-403.0	BX36 (2)	8.715-697.0	GX630 (688CC)	Honda
8-30324E	LX9536/L	8.920-590.0	2BK80H	8.715-592.0	25mm	9.802-403.0	BX35 (2)	9.802-415.0	GX690 (688cc)	Honda
5-35324E	LT6036/L	8.921-713.0	2BK90	8.715-593.0	25mm	9.802-403.0	BX36 (2)	8.715-697.0	25HP (764CC)	Loncin
8-30324E	LX9536/L	8.920-590.0	2BK80H	8.715-592.0	25mm	9.802-403.0	BX35 (2)	9.802-415.0	25HP (764CC)	Loncin

Engine						Generator					
Model # Con't	Part #	Pulley	Pulley Part #	Bushing	Bushing Part #	Pulley	Pulley Part #	Bushing	Bushing Part #	Belt Size/Qty	Belt Part #
4-30324E	8.759-122.0	3TB34	9.802-392.0	P2x1"	9.802-404.0	BK 34 H	9.802-378.0	7/8"	8.715-633.0	BX22 (1)	9.802-412.0
4-40324E	8.752-149.0	3TB36	9.802-393.0	P2x1"	9.802-404.0	BK 34 H	9.802-378.0	7/8"	8.715-633.0	BX22 (1)	9.802-412.0
5-30224E	8.754-819.0	3TB34	9.802-392.0	P2x1"	9.802-404.0	BK 32 H	9.802-377.0	7/8"	8.715-633.0	BX22 (1)	9.802-412.0
5-35324E	8.752-149.0	3TB34	9.802-392.0	P2x1"	9.802-404.0	BK 34 H	9.802-378.0	7/8"	8.715-633.0	BX22 (1)	9.802-412.0
8-30324E	8.757-350.0	3TB34	9.802-392.0	P2X1-1/8"	9.802-405.0	BK 32 H	9.802-377.0	7/8"	8.715-633.0	BX22 (1)	9.802-412.0
5-35324E	8.759-746.0	3TB34	9.802-392.0	Px1-1/8"	9.802-405.0	BK 34 H	9.802-378.0	7/8"	8.715-633.0	BX22 (1)	9.802-412.0
8-30324E	8.759-746.0	3TB34	9.802-392.0	P2X1-1/8"	9.802-405.0	BK 32 H	9.802-377.0	7/8"	8.715-633.0	BX22 (1)	9.802-412.0

Pressure Nozzles

Model #	Yellow Nozzle Part No. / Size	Green Nozzle Part No. / Size	White Nozzle Part No. / Size
4-3000	8.712-350.0 / 1504.5	8.712-351.0 / 2504.5	8.712-352.0 / 4004.5
4-4000	8.712-346.0 / 1504	8.712-347.0 / 2504	8.712-348.0 / 4004
5-3000E	8.712-358.0 / 1505.5	8.712-359.0 / 2505.5	8.712-360.0 / 4005.5
5-3500	8.712-354.0 / 1505	8.712-355.0 / 2505	8.712-356.0 / 4005
8-3000	8.712-379.0 / 1509	8.712-380.0 / 2509	8.712-381.0 - 4009

G3 Evolution



TORQUE SPECS	
ITEM #	FT. LBS.
14	95
15	45
23	8
34	10
42	30
48	8

REF	PART NO.	QTY	DESCRIPTION	NOTES
1	8.752-825.0	1	CRANKCASE	
2	-	3	PLUNGER OIL SEAL	SEE KITS TABLE
3	-	3	O-RING Ø1.78 X 37.82	SEE KITS TABLE
4	-	3	PRESSURE RING, 18MM	SEE KITS TABLE
5	-	3	U-SEAL, 18MM	SEE KITS TABLE
6	-	3	INTERMEDIATE RING, 18MM	SEE KITS TABLE
7	-	3	U-SEAL, 18MM	SEE KITS TABLE
8	9.802-926.0	1	BRASS PLUG, G1/2	
9	9.803-199.0	1	COPPER WASHER 1/2	
10	8.753-816.0	1	MANIFOLD HOUSING	
11	9.804-498.0	6	O-RING Ø2.62 X 25.1	SEE KITS TABLE
12	-	6	VALVE ASSEMBLY	SEE KITS TABLE
13	9.803-193.0	6	O-RING 3068	SEE KITS TABLE
14	9.802-928.0	6	VALVE PLUG	
15	8.753-817.0	8	MANIFOLD STUD BOLT	
16	9.802-890.0	8	LOCK WASHER	
17	8.719-008.0	1	COPPER WASHER 3/8	
18	8.707-262.0	1	BRASS PLUG 3/8	
19	-	6	VALVE SEAT	SEE KITS TABLE
20	-	6	VALVE PLATE	SEE KITS TABLE

REF	PART NO.	QTY	DESCRIPTION	NOTES
21	-	6	VALVE SPRING	SEE KITS TABLE
22	-	6	VALVE CAGE	SEE KITS TABLE
23	8.752-830.0	8	HEX SCREW	
24	9.802-884.0	8	WASHER	
25	9.803-182.0	1	CLOSED BEARING HOUSING	
26	9.803-186.0	2	O-RING Ø2.62 X 71.12	
27	9.803-160.0	2	ROLLER BEARING	
28	8.753-818.0	1	CRANKSHAFT Ø25 (4540)	
-	8.752-827.0	1	CRANKSHAFT Ø25 (6036)	
29	9.803-167.0	1	CRANKSHAFT KEY	
30	8.752-834.0	1	OIL DIP STICK	
31	9.803-139.0	1	CRANKSHAFT SEAL	
32	9.803-177.0	2	SHIM	
33	9.803-181.0	1	BEARING HOUSING	
34	8.752-841.0	3	PLUNGER BOLT	SEE KITS TABLE
35	8.752-820.0	3	BONDED SEAL	SEE KITS TABLE
36	8.753-819.0	3	PLUNGER, 18MM	SEE KITS TABLE
37	8.752-823.0	3	COPPER SPACER	SEE KITS TABLE
38	8.753-820.0	3	PLUNGER ROD	
39	8.752-822.0	3	CONNECTING ROD PIN	
40	8.752-821.0	3	CONNECTING ROD	
41	9.802-889.0	6	SPRING WASHER	
42	9.802-937.0	6	CONNECTING ROD SCREW	
43	9.803-194.0	1	O-RING Ø2.62 X 152.07	
44	8.752-826.0	1	CRANKCASE COVER	
45	9.803-906.0	1	O-RING Ø1.78 X 14.00	
46	8.707-262.0	1	BRASS PLUG G3/8	
47	9.803-202.0	1	SIGHT GLASS G3/4	
48	8.752-824.0	5	COVER SCREW	

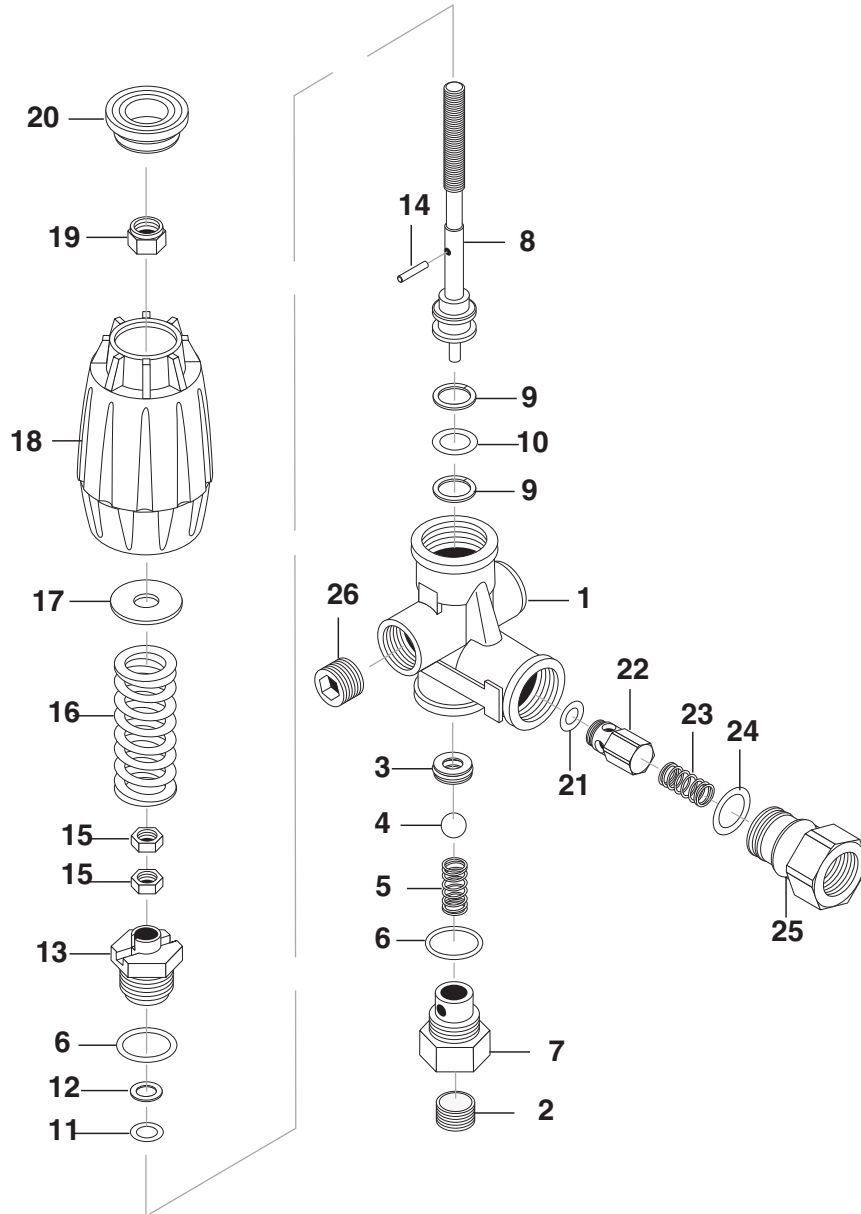
KIT NUMBERS	8.753-821.0	8.758-061.0	8.753-823.0	8.753-824.0	8.752-835.0
KIT DESCRIPTION	Plunger Seals 18 mm	Seal Packing 18 mm	Plunger 18 mm	Complete Valve	Plunger Oil Seals
ITEM NUMBERS INCLUDED	3, 5, 7	3, 4, 5, 6, 7	34, 35, 36, 37	11, 12, 13	2
NUMBER OF CYLINDERS KIT WILL SERVICE	3	3	1	6	3

VRT3 Unloader

8.750-297.0, 8 GPM, 2320 PSI

8.750-298.0, 8 GPM, 3630 PSI

8.750-299.0, 8 GPM, 4500 PSI



REF	PART NO.	QTY	DESCRIPTION	NOTES
25	8.750-713.0	1	OUTLET FITTING	
18	8.750-712.0	1	KNOB, UNLOADER	
-	8.750-709.0	-	REPAIR KIT, VRT3, 2320/3630 PSI	
-	8.750-710.0	-	REPAIR KIT, VRT3, 4500 PSI	
-	-	-	(KIT ITEMS: 3, 4, 6, 9-12, 21, 24)	

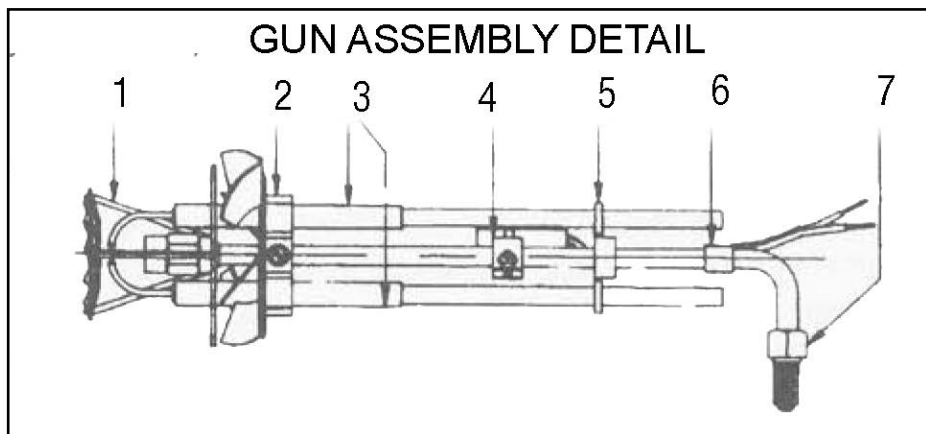
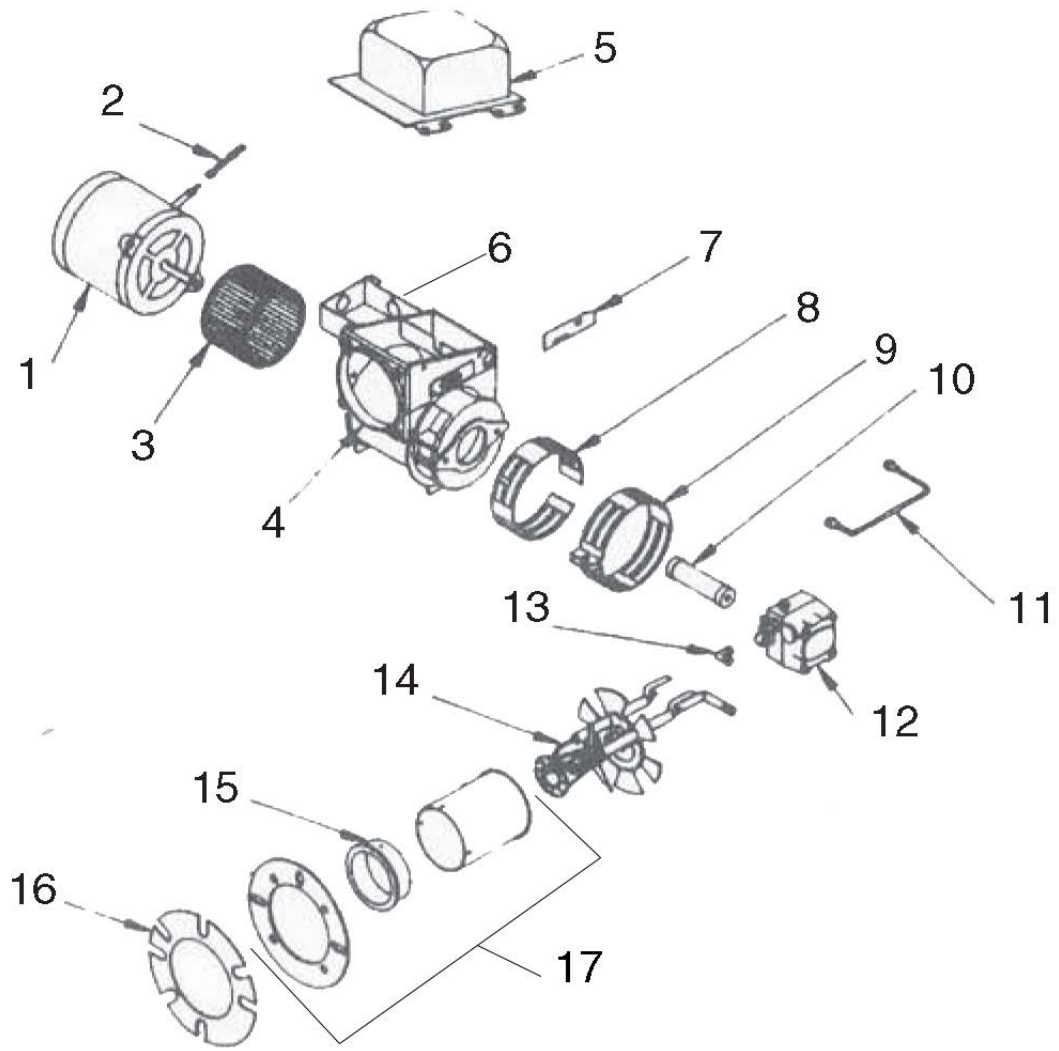
Unloader Adjustment Procedures

1. Remove lock nut (Item 19).
2. Remove adjustment knob (Item 18).
3. Loosen the two (2) nuts (Item 15), move them upward on stem (Item 8) until you see 4 or more threads below the nut.
4. Re-attach adjusting knob (Item 18).
5. Start machine. Open the trigger of the spray gun. Increase pressure by turning adjustment knob (Item 18) clockwise until pressure is at the desired operating pressure.
6. Remove the adjustment knob (Item 18), tighten the lower nut (Item 15) tightly against the upper nut (Item 15). Re-attach adjustment knob (Item 18) and screw down until contact is made with the nuts (Items 15). Screw down lock nut (Item 19) onto the stem (Item 8) until the threads cut into the nylon insert of the lock nut (Item 19).

*If adjustment knob (Item 18) **DOES NOT** make contact with upper nut (Items 15), remove adjusting knob (Item 18), re-adjust (raise) nuts (Items 15) on stem (Item 8) and re-attach adjustment knob (Item 18), then repeat step #6.

If adjustment knob (Item 18) **DOES make contact with upper nut; release the trigger of the spray gun and watch the pressure gauge for the pressure increase (“spike”). This “spike” **SHOULD NOT** exceed 500 psi above the operating pressure. If “spike” pressure exceeds the 500 psi limit, remove the adjusting knob (Item 18) and re-adjust (lower) the nuts (Items 15) on the stem (Item 8). Re-attach the adjusting knob (Item 18), then repeat step #6.

PGHW-Series Wayne Burner



REF	PART NO.	QTY	DESCRIPTION	NOTES
1	8.756-293.0	1	MOTOR, BURNER, 1/5 120V 50-60HZ	EHASR 4
-	8.756-436.0	1	MOTOR, 1/4 120V 50-60HZ	EHASR 5
2	13121	1	MOTOR CORD COVER	
3	8.700-730.0	1	BLOWER WHEEL, 5-.25' x 3-7/16(307000)	EHASR 4
-	8.756-438.0	1	FAN - 4.00"W X 6.25"D 1/2" BORE	EHASR 5
4	8.700-735.0	1	BURNER HOUSING EHASR	
5	8.700-802.0	1	IGNITOR, 120V, SIDE/EH-EHA MOUNT	
6	8.756-742.0	1	JUNCTION BOX, EHASR, BLACK BODY	
-	8.756-741.0	1	JUNCTION BOX, EHASR, BLACK COVER	NOT SHOWN
-	8.756-743.0	1	PLUG, HOLE, JUNCTION BOX, M&E	NOT SHOWN
7	13392	1	SLOT COVER PLATE	
8	8.700-732.0	1	BAND, AIR BURNER INNER EHA/SR	
9	8.700-729.0	1	AIR BAND 8 HOLE OUTER EHA/SR	
10	13279	1	COUPLING A/B PUMP	
11	8.700-704.0	1	OIL LINE, 6'	
12	8.756-290.0	1	FUEL PUMP, WCS - COMBO/W SOLENOID 120V	
13	13494	1	BRASS 90° ELBOW	
14	8.756-450.0	1	GUN ASSEMBLY, BURNER-RG/*CST/GBB1	EHASR 4
-	8.756-704.0	1	ASSY, BURNER GUN, RG/SST/2"BB	EHASR 5
15	8.756-302.0	1	AIR CONE #8A	EHASR 4
-	8.700-724.0	1	CONE 4A FOR/307000,003,007	EHASR 5
16	8.700-692.0	2	GASKET, E & M SERIES BURNERS	
17	8.756-678.0	1	AIR TUBE AND WELDED FLANGE	

GUN ASSEMBLY DETAIL				
REF	PART NO.	QTY	DESCRIPTION	NOTES
1	12988-002	1	NOZZLE ADAPTER	
2	21923-001	1	ELECTRODE SUPPORT KIT	
3	13286	1	STEM/INSULATOR KIT	
4	13078	1	CAD CELL MOUNT	
5	13276-002	1	BUSS BAR SUPPORT	
6	100850-001	1	CAD CELL WIRE TIE	
7	14295	1	OIL PIPE FITTING	

LANDA[®]

8.916-485.0 • Printed in U.S.A.