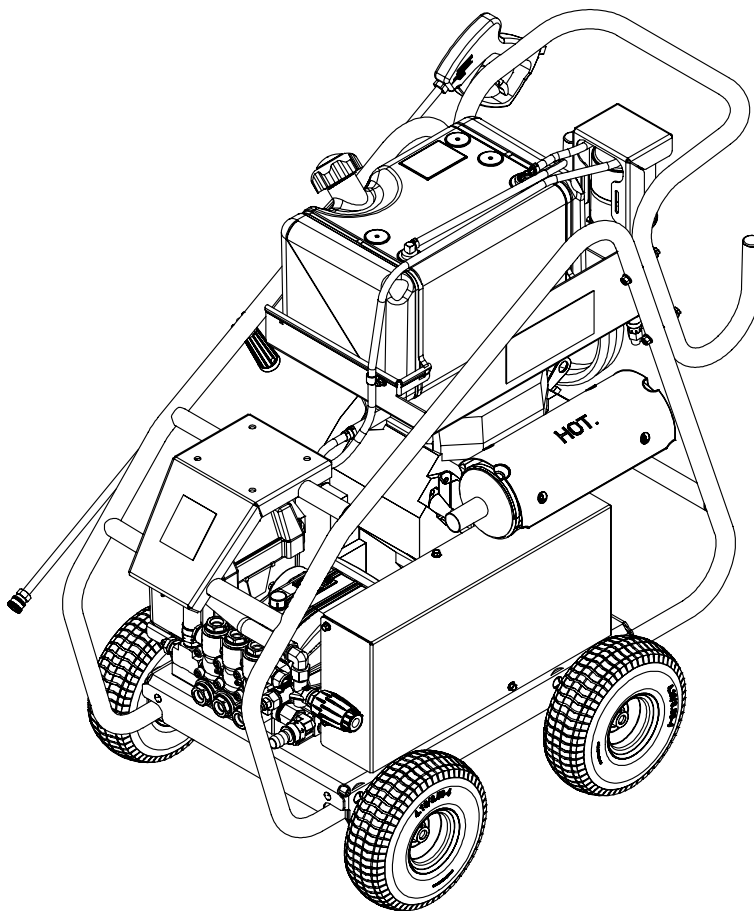


KÄRCHER

makes a difference

High Pressure Cleaner
Combustion engine - Cold Water

English..... 3
Español....34
Français....67



SHOP PRESSURE WASHER PARTS

shoppressurewasherparts.com | (888) 269-0172



**Register
your product**

www.kaercher.com/welcome



9.808-130.0 - E (03/21)

MODELS:

1.107-370.0

HD 5/30 G

1.107-371.0

HD 6/30 G

1.107-372.0

HD 8/35 G

1.107-373.0

HD 3.4/30 D

Important Safety Information	4 - 6
Component Identification	7
Assembly Instructions.....	8
Operating Instructions.....	9 - 10
Installation.....	10
Maintenance	11
Detergent and General Cleaning Techniques	12
Shut Down and Clean-Up	13
Storage	13
Preventive Maintenance (Models: HD 5/30 G, HD 6/30 G, HD 8/35 G, HD 3.4/30 D).....	14
Troubleshooting (Models: HD 5/30 G, HD 6/30 G, HD 8/35 G, HD 3.4/30 D).....	15 - 17
Oil Change Record	17
Spare Part List	18 - 33

Model Number _____

Serial Number _____

Date of Purchase _____

The model and serial numbers will be found on a decal attached to the pressure washer. You should record both serial number and date of purchase and keep in a safe place for future reference.

INTRODUCTION & IMPORTANT SAFETY INFORMATION

Thank you for purchasing this Pressure Washer.
We reserve the right to make changes at any time without incurring any obligation.

Owner/User Responsibility:

The owner and/or user must have an understanding of the manufacturer's operating instructions and warnings before using this pressure washer. Warning information should be emphasized and understood. If the operator is not fluent in English, the manufacturer's instructions and warnings shall be read to and discussed with the operator in the operator's native language by the purchaser/owner, making sure that the operator comprehends its contents.

Owner and/or user must study and maintain for future reference the manufacturers' instructions.

The operator must know how to stop the machine quickly and understand the operation of all controls. Never permit anyone to operate the engine without proper instructions.

SAVE THESE INSTRUCTIONS


This manual should be considered a permanent part of the machine and should remain with it if machine is resold.

When ordering parts, please specify model and serial number. Use only identical replacement parts.

This machine is to be used only by trained operators.

IMPORTANT SAFETY INFORMATION

! WARNING



READ OPERATOR'S MANUAL THOROUGHLY PRIOR TO USE.

WARNING: To reduce the risk of injury, read operating instructions carefully before using.

1. Read owner's manual thoroughly. Failure to follow instructions could cause malfunction of the machine and result in death, serious bodily injury and/or property damage.
2. Know how to stop the machine and bleed pressure quickly. Be thoroughly familiar with the controls.
3. Stay alert — watch what you are doing.

! WARNING



KEEP WATER SPRAY AWAY FROM ELECTRICAL WIRING.

WARNING: Keep wand, hose, and water spray away from electric wiring or fatal electric shock may result.

4. All installations must comply with local codes. Contact your electrician, plumber, utility company or the selling distributor for specific details.

! WARNING



EAR PROTECTION MUST BE WORN

WARNING: This machine exceeds 85 db appropriate ear protection must be worn.

! WARNING



USE PROTECTIVE EYE WEAR AND CLOTHING WHEN OPERATING THIS EQUIPMENT.

WARNING: High pressure spray can cause paint chips or other particles to become airborne and fly at high speeds. To avoid personal injury, eye, hand and foot safety devices must be worn.

5. Eye, hand, and foot protection must be worn when using this equipment.

! WARNING




RISK OF EXPLOSION: OPERATE ONLY WHERE OPEN FLAME OR TORCH IS PERMITTED

WARNING: Flammable liquids can create fumes which can ignite, causing property damage or severe injury.

WARNING: Risk of explosion — Operate only where open flame or torch is permitted.

! WARNING



RISK OF FIRE. DO NOT ADD FUEL WHEN OPERATING MACHINE.

WARNING: Risk of fire — Do not add fuel when the product is operating or still hot.

WARNING: Do not use gasoline crankcase draining or oil containing gasoline, solvents or alcohol. Doing so will result in fire

and/or explosion.

WARNING: Risk of fire — Do not Spray flammable liquids.

IMPORTANT SAFETY INFORMATION

WARNING: This product contains chemicals known to the state of California to cause cancer and birth defects or other reproductive harm. Operation of this equipment may create sparks that can start fires around dry vegetation. A spark arrestor may be required. The operator should contact: Local fire agencies for laws or regulations relating to fire prevention requirements.

7. Allow engine to cool for 1-2 minutes before refueling. If any fuel is spilled, make sure the area is dry before testing the spark plug or starting the engine. (Fire and/or explosion may occur if this is not done.)

Gasoline engines on mobile or portable equipment shall be refueled:

- a. outdoors;
- b. with the engine on the equipment stopped;
- c. with no source of ignition within 10 feet of the dispensing point; and
- d. with an allowance made for expansion of the fuel should the equipment be exposed to a higher ambient temperature.

In an overfilling situation, additional precautions are necessary to ensure that the situation is handled in a safe manner.

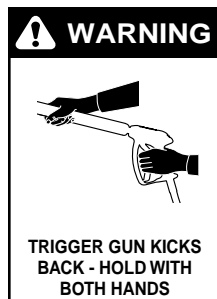
8. When in use, do not place machine near flammable objects as the engine is hot.
9. Do not store or use gasoline near this machine.



WARNING: Risk of injury. Hot surfaces can cause burns. Use only designated gripping areas of spray gun and wand. Do not place hands or feet on non-insulated areas of the pressure washer.

10. Transport/Repair with fuel tank EMPTY or with fuel shut-off valve OFF.

11. To reduce the risk of injury, close supervision is necessary when a machine is used near children. Do not allow children to operate the pressure washer. **This machine must be attended during operation.**



WARNING: Grip cleaning wand securely with both hands before starting. Failure to do this could result in injury from a whipping wand.

12. Never make adjustments on machine while in operation.
13. Be certain all quick coupler fittings are secured before using pressure washer.



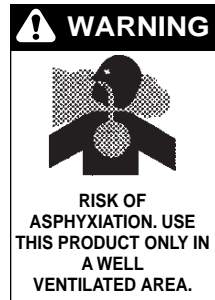
WARNING: High pressure developed by these machines will cause personal injury or equipment damage. Keep clear of nozzle. Use caution when operating. Do not direct discharge stream at people, or severe injury or death will result.



WARNING: Protect machine from freezing.

14. To keep machine in best operating conditions, it is important you protect machine from freezing. Failure to protect machine from freezing could cause malfunction of the machine and result in death, serious bodily injury, and/or property damage. Follow storage instructions specified in this manual.

15. Inlet water must be clean fresh water and no hotter than 90°F.



WARNING: Risk of asphyxiation. Use this product only in a well ventilated area.

16. Running this product indoors can result in death due to carbon monoxide, a poison gas you cannot see or smell. Never operate indoors, even if windows and doors are open. Only use outdoor and far away

from windows, doors, and openings or vents.

17. Manufacturer will not be liable for any changes made to our standard machines or any components not purchased from us.
18. The best insurance against an accident is precaution and knowledge of the machine.



WARNING: Be extremely careful when using a ladder, scaffolding or any other relatively unstable location. The cleaning area should have adequate slopes and drainage to reduce the possibility of a fall due to slippery surfaces.

IMPORTANT SAFETY INFORMATION

19. Do not allow acids, caustic or abrasive fluids to pass through the pump.



WARNING: *If connection is made to portable water supply, a back flow device must be provided.*

20. Never run pump dry or leave spray gun closed longer than 1-2 minutes.
21. Machines with shut-off spray gun should not be operated with the spray gun in the off position for extensive periods of time as this may cause damage to the pump.
22. Protect discharge hose from vehicle traffic and sharp objects. Inspect condition of high pressure hose before using or bodily injury may result.
23. Before disconnecting discharge hose from water outlet, open the spray gun to relieve pressure.
24. Do not overreach or stand on unstable support. Keep good footing and balance at all times.
25. Do not operate this machine when fatigued or under the influence of alcohol, prescription medications, or drugs.
26. **WARNING:** *Wear eye, hand and skin protection when handling or connecting battery.*

Batteries generate explosive gases during normal battery operation.

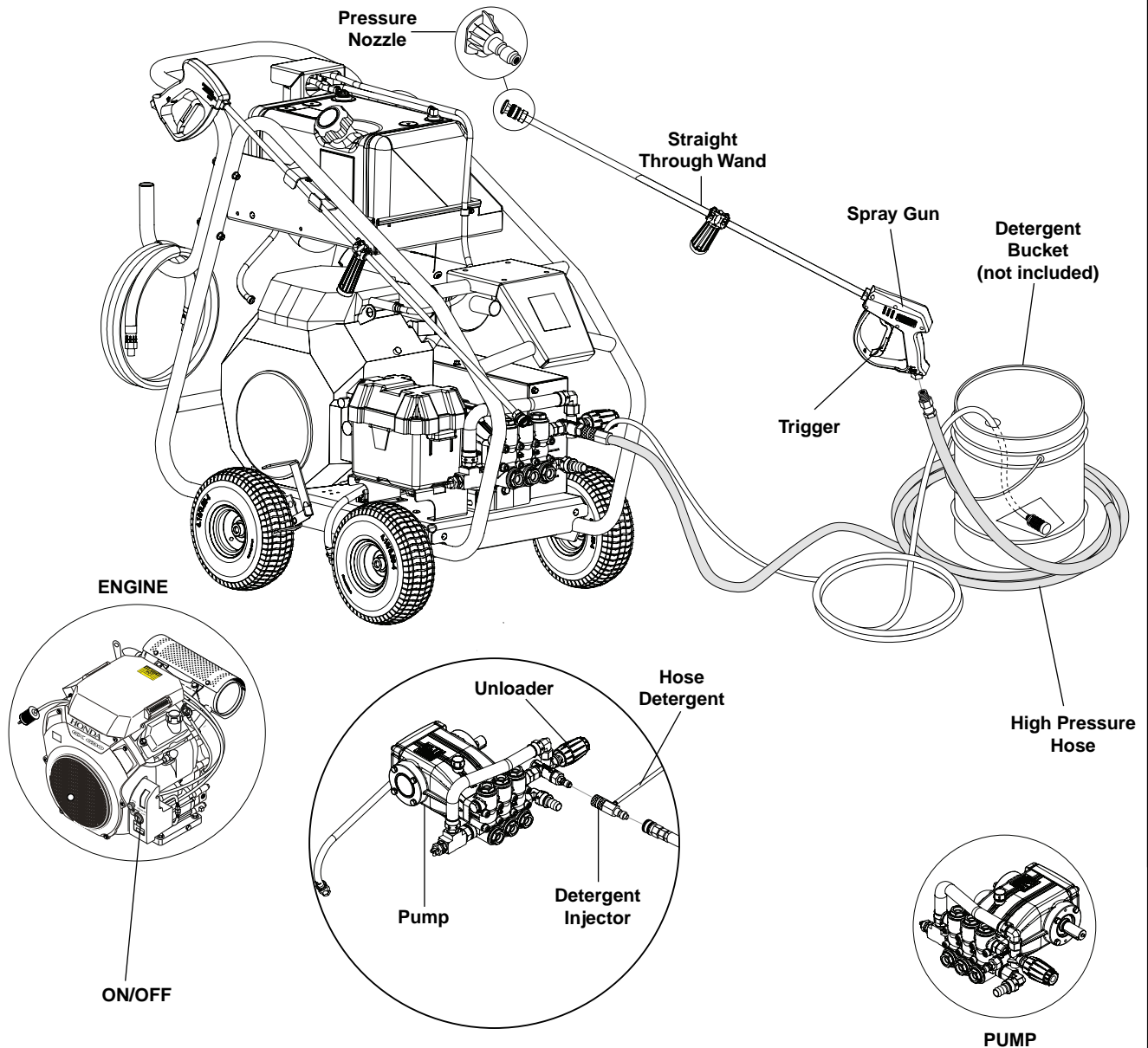
DO NOT expose the battery to flame or sparks as these gases may ignite.

Battery fluid is highly acidic. If battery fluid contacts skin or clothing, wash immediately with soap and water. If battery fluid enters eye, immediately flood eye with running cold water for at least 15 minutes and get immediate medical attention.



Follow the maintenance instructions specified in the manual.

COMPONENT IDENTIFICATION



Pump — Develops high pressure.

Starter Grip — Used for starting the engine manually.

Spray Gun — Controls the application of water and detergent onto cleaning surface with trigger device. Includes safety latch.

Unloader valve — Safety device which allows pressure to be released when spray gun is closed

Detergent Injector — Allows you to siphon and mix detergents. (Not included with machine)

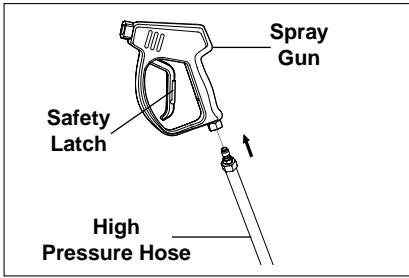
Wand — Must be connected to the spray gun.

High Pressure Hose — Connect one end to water pump discharge nipple and the other end to spray gun.

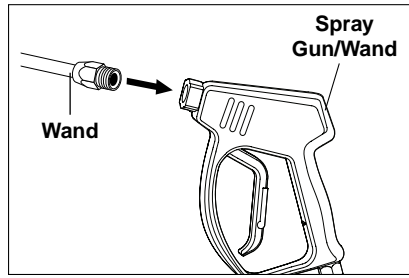
Pump Protector — Cycles fresh cool water through pump when recirculating water reaches 140°F.

Note: If trigger on spray gun is released for more than 1-2 minutes, water will leak from valve. Warm water will discharge from pump protector onto floor. This system prevents internal pump damage.

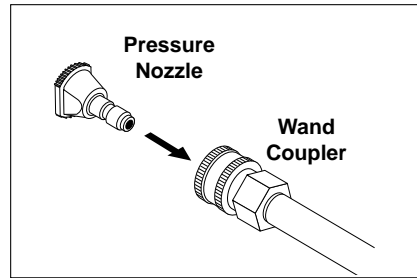
ASSEMBLY INSTRUCTIONS



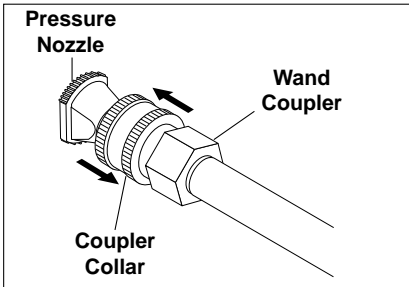
STEP 1: Attach the high pressure hose to the spray gun using teflon tape on hose threads.



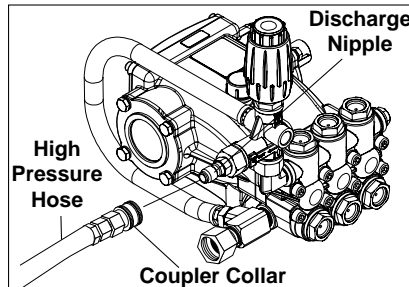
STEP 2: Attach wand to spray gun using teflon tape on wand threads.



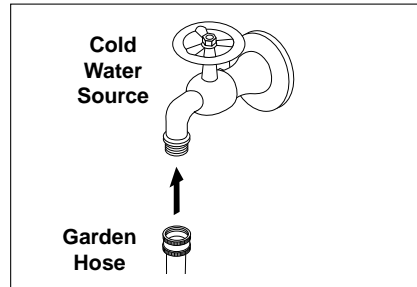
STEP 3: Pull spring-loaded collar of the wand coupler back to insert your choice of pressure nozzle.



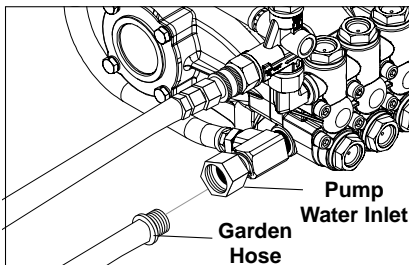
STEP 4: Release the coupler collar and push the nozzle until the collar clicks. Pull the nozzle to make sure it is seated properly.



STEP 5: Connect the high pressure hose to the discharge nipple. Push coupler collar forward until secure.

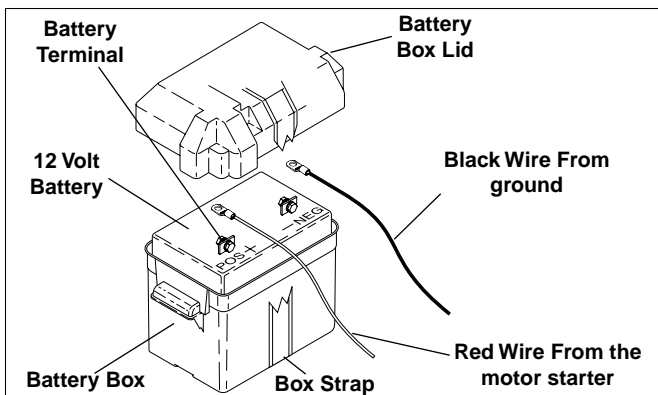


STEP 6: Connect garden hose to the cold water source.



STEP 7: Connect the water supply hose to pump water inlet. **CAUTION: Do not run the pump without water or pump damage will result.**

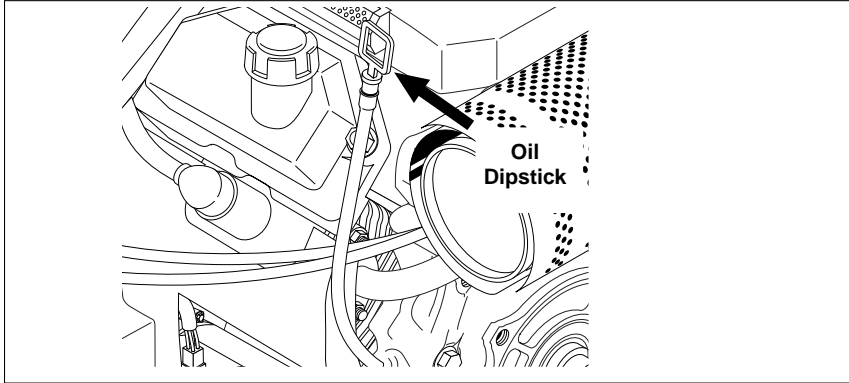
STEPS 8 and 9 for Electric Start Machines



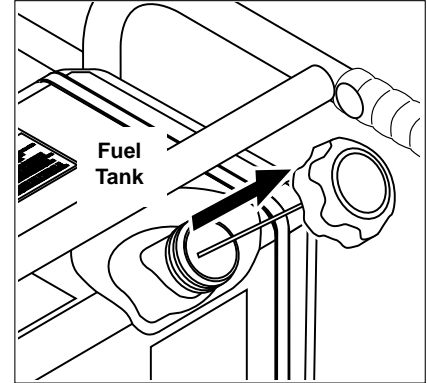
STEP 8: Place battery in battery box. Use a 12 V battery with a minimum capacity of 24AH.

STEP 9: To reduce the possibility of sparking, attach the wires to the battery in the following order. Refer to image aside. First attach the red wire to the positive "+" terminal of battery and the black wire to the negative "-" terminal of the battery. To disconnect the battery remove the wires in the opposite order as installed. Install battery box cover and fasten in place.

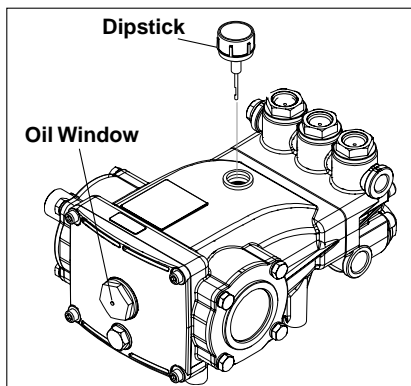
OPERATING INSTRUCTIONS



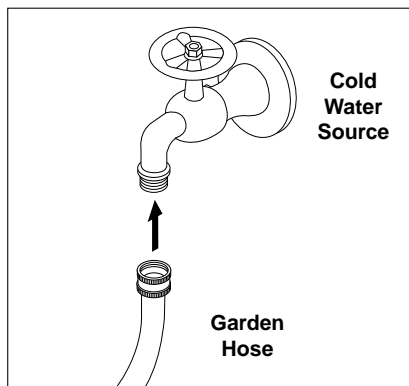
STEP 1: Check engine oil level. Oil level should be level with the bottom of the oil filler neck. Be sure the machine is level when checking the oil level. (Refer to the engine's operating manual included with machine.) We recommend that the oil be changed after the first 20 hours of use, then once every 100 hours. **Note:** Improper oil levels will cause low oil sensor to shut off engine. **IMPORTANT! Do not run engine with high or low oil levels as this will cause engine damage.**



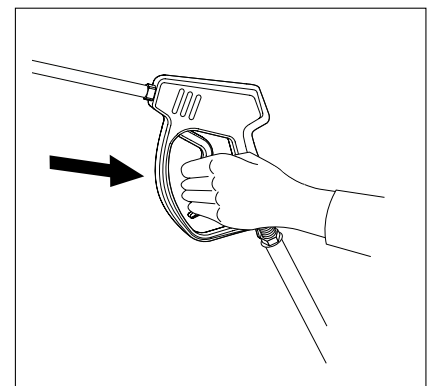
STEP 2: Fill the fuel tank with the appropriate fuel (unleaded gasoline or diesel as noted on the tank). Do not use leaded gasoline.



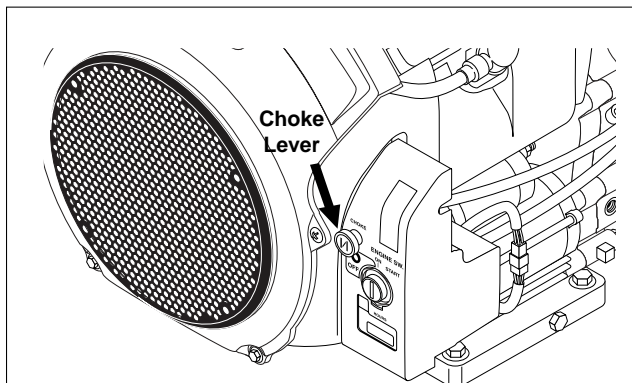
STEP 3: Remove shipping cap and install oil dipstick. Check pump oil level by using dipstick or observe oil level in oil window (if equipped). Use 10W-40 non detergent oil.



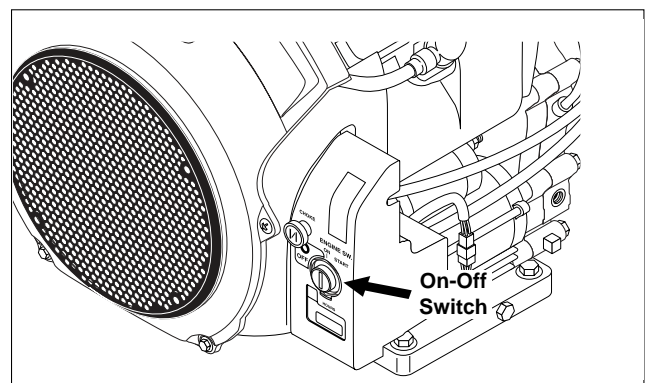
STEP 4: Connect garden hose to the cold water source and turn water on completely. Never use hot water.



STEP 5: Trigger the spray gun to eliminate trapped air then wait for a steady flow of water to emerge from the spray nozzle.

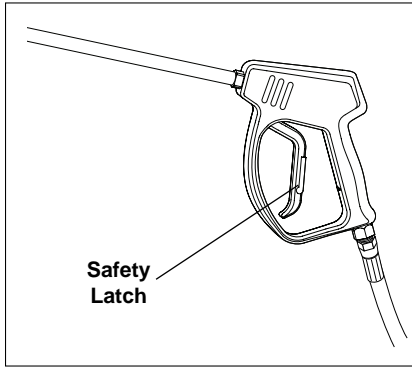


STEP 6: Pull the choke lever out to the "Choke" position (on a warm engine, leave the choke lever in, in the run position). Push the choke lever to the "Closed" position. To restart a warm engine, leave the choke lever in the "Open" position.

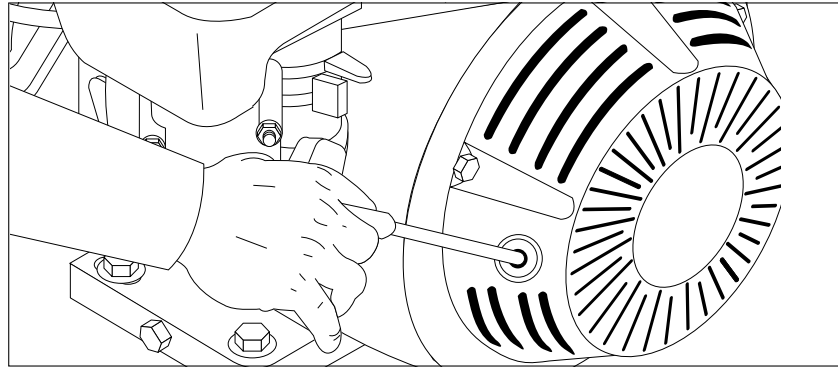


STEP 7: Turn the engine switch to "ON" position.

OPERATING INSTRUCTIONS

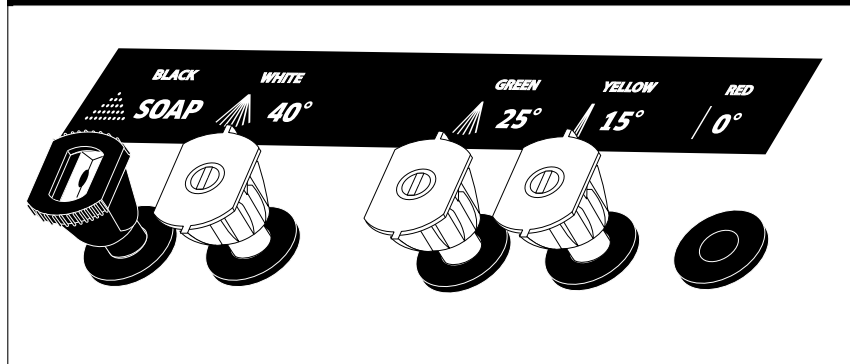


⚠ WARNING! Never replace nozzles without engaging the safety latch on the spray gun trigger.



⚠ WARNING! Starter cord kickback (rapid retraction) can result in bodily injury. Kickback will pull hand and arm toward engine faster than you can let go. **ALWAYS** relieve spray gun pressure before pulling starter cord. Pull starter cord slowly until resistance is felt, then pull rapidly.

NOZZLES



The four color-coded quick connect nozzles provide a wide array of spray widths from 15° to 40° and are easily accessible when placed in the convenient rubber nozzle holder, which is provided on the front of the machine.

NOTE: For a more gentle rinse, select the white 40° or green 25° nozzle. To scour the surface, select the yellow 15° nozzle. To apply detergent, select the black nozzle.

INSTALLATION

GETTING STARTED

IMPORTANT: Proper initial installation of equipment will assure more satisfactory performance, longer service life, and lower maintenance cost.

IMPORTANT: The use of backflow preventer on the water supply hose is recommended and may be required by local code.

IMPORTANT: DO NOT run machine indoors or in an enclosed area where high ambient temperatures exist. High ambient temperatures (above 100° F) can cause engine oil failure and will greatly reduce the engine's performance.

VENTING

CAUTION: All venting must be in accordance with applicable federal and state laws, and local ordinances. Consult local heating contractors.

INSTALLATION

If the pressure washer is to be used in an enclosed area, a flue must be installed to vent engine exhaust to the outside atmosphere. Poor draft will cause the pressure washer not operate properly.

When selecting the location for installation, beware of poorly ventilated locations or areas where exhaust fans may cause an insufficient supply of oxygen.

Proper combustion can only be obtained when there is a sufficient supply of oxygen available for the amount of fuel being burned. If it is necessary to install the machine in a poorly ventilated area, outside fresh air will have to be supplied to the machine.

Locate the pressure washer so that the flue will be as straight as possible and protrude through the roof at a proper height and location to provide adequate draft.

This oil fired pressure washer must have a draft regulator installed in the flue (available from most heating contractors). A draft regulator will permit proper upward flow of exhaust flue gases.

WATER SUPPLY

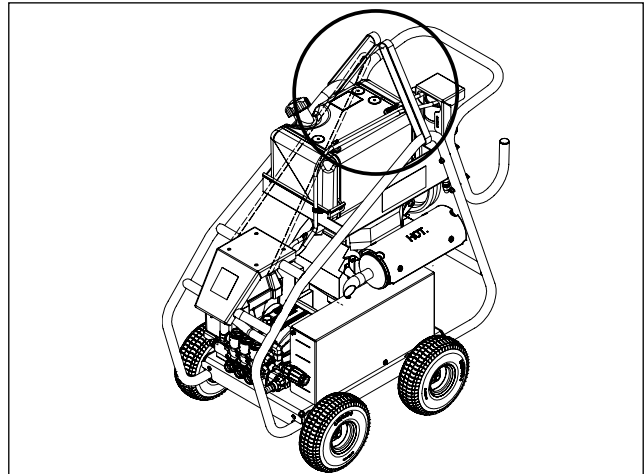
Your water supply must provide water to the equipment that exceeds the Gallon Per Minute (GPM) rate of your machine. You can check your GPM by using a 5 gallon bucket and a timer. If your machine is 5 GPM or less and the bucket fills in less than a minute you have adequate supply. Some water supply systems are affected by things like washing machines, livestock watering systems and flushing of toilets. Be sure the supply is still adequate when these operations are taking place. The water temperature cannot exceed 145 Degrees Fahrenheit on the standard models and 180 degrees Fahrenheit on the high temperature models and the pressure should not exceed 60 PSI. Failure to secure adequate water supply to your commercial pressure washer will result in pump damage.

!DO NOT RUN PUMP DRY!

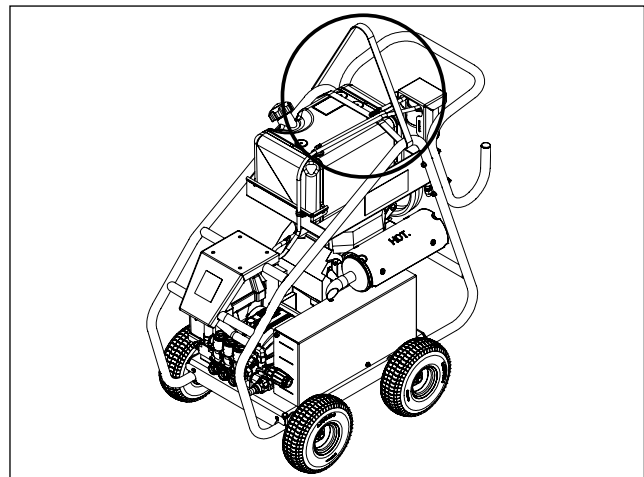
BEFORE STARTING

Connect the water supply hose to the water inlet (standard garden hose connector). The water faucet and supply hose must be capable of providing (GPM) rate of your machine.

Recommendation to lift the machine.



Do not lift the machine. Refer to image. Can cause damage to the gas tank.



MAINTENANCE

PUMP

DO NOT:

1. Pump acids.
2. Fail to winterize in freezing temperatures.
3. Allow pump to run dry.
4. Allow machine to run with trigger gun closed for more than 3 minutes at any one time or damage to pump may occur.

DO:

1. Use a water softener on the water system if known to be high in mineral content.
2. Use only high quality detergents and follow manufacturer's mix recommendations.
3. Immediately after using detergent solutions the system should be flushed thoroughly with clear water.
4. Clean strainer screen on detergent line periodically.

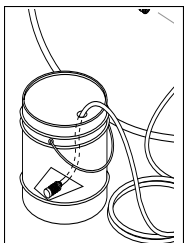
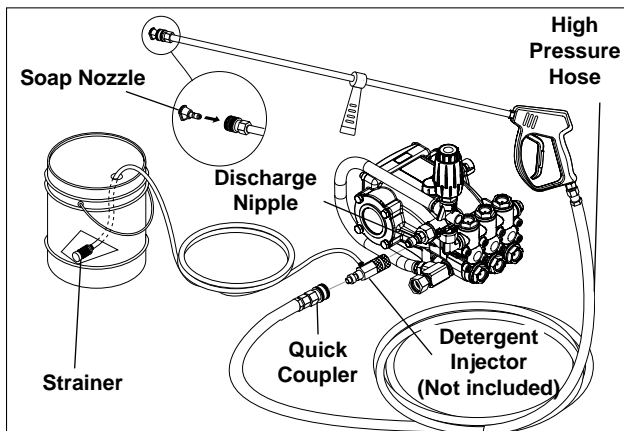
DETERGENT AND GENERAL CLEANING TECHNIQUES

WARNING



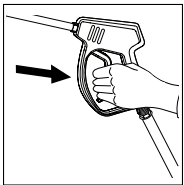
WARNING: Some detergents may be harmful if inhaled or ingested, causing severe nausea, fainting or poisoning. The harmful elements may cause property damage or severe injury.

STEP 1: Connect the optional detergent injector to discharge nipple on machine. Connect high pressure hose to injector with quick coupler. (Check to make sure locking coupler sleeves are in proper position before applying water pressure).



STEP 2: Use detergent designed specifically for pressure washers. Household detergents could damage the pump. Prepare detergent solution as required by manufacturer. Fill a container with pressure washer detergent. Place filter end of detergent suction tube into detergent container.

STEP 3: With safety latch on spray gun engaged, secure black detergent nozzle into quick coupler. **NOTE:** Detergent cannot be applied using yellow, green or white nozzles.



STEP 4: With the engine running, pull trigger to operate machine. Liquid detergent is drawn into the machine

and mixed with water. Apply detergent to work area. Do not allow detergent to dry on surface.

IMPORTANT: You must flush the detergent injection system after each use by placing the suction tube into a bucket of clean water, then run the pressure washer in low pressure for 1-2 minutes.

THERMAL PUMP PROTECTION

If you run the engine on your pressure washer for 1-2 minutes without pressing the trigger on the spray gun, circulating water in the pump can reach high temperatures. When the water reaches this temperature, the pump protector engages and cools the pump by discharging the warm water onto the ground. This thermal device prevents internal damage to the pump.

CLEANING TIPS

Pre-rinse cleaning surface with fresh water. Place detergent suction tube directly into cleaning solution and apply to surface at low pressure (for best results, limit your work area to sections approximately 6 feet square and always apply detergent from bottom to top). Allow detergent to remain on surface 1-3 minutes. Do not allow detergent to dry on surface. If surface appears to be drying, simply wet down surface with fresh water. If needed, use brush to remove stubborn dirt. Rinse at high pressure from top to bottom in an even sweeping motion keeping the spray nozzle approximately 1 foot from cleaning surface. Use overlapping strokes as you clean and rinse any surface. For best surface cleaning action spray at a slight angle.

Recommendations:

- Before cleaning any surface, an inconspicuous area should be cleaned to test spray pattern and distance for maximum cleaning results.
- If painted surfaces are peeling or chipping, use extreme caution as pressure washer may remove the loose paint from the surface.
- Keep the spray nozzle a safe distance from the surface you plan to clean. High pressure wash a small area, then check the surface for damage. If no damage is found, continue to pressure washing.

CAUTION - Never use:

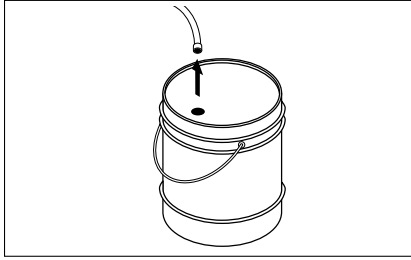
- ⚠ Bleach, chlorine products and other corrosive chemicals
- Liquids containing solvents (i.e., paint thinner, gasoline, oils)
- Tri-sodium phosphate products
- Ammonia products
- Acid-based products

These chemicals will harm the machine and will damage the surface being cleaned.

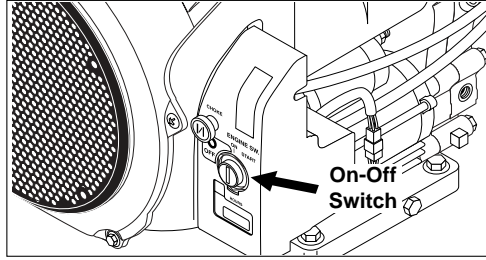
RINSING

It will take a few seconds for the detergent to clear. Apply safety latch to spray gun. Remove black soap nozzle from the quick coupler. Select and install the desired high pressure nozzle. **NOTE:** You can also stop detergent from flowing by simply removing detergent siphon tube from bottle.

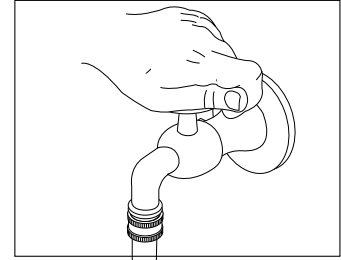
SHUTTING DOWN AND CLEAN-UP



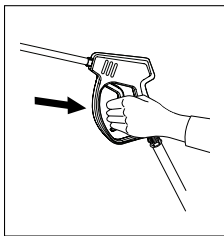
STEP 1: Remove detergent suction tube from container and insert into one gallon of fresh water. Slide nozzle forward for low pressure or to connect black detergent nozzle. Pull trigger on spray gun and siphon water for one minute.



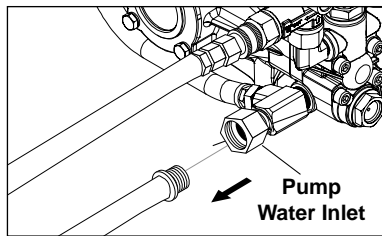
STEP 2: Turn off the engine.



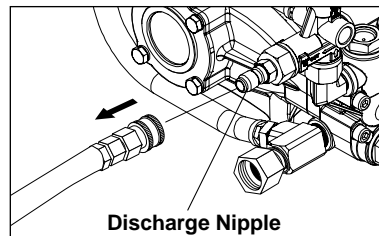
STEP 3: Turn off water supply.



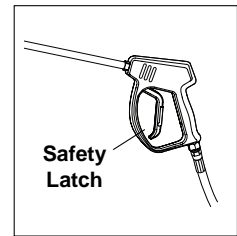
STEP 4: Press trigger to release water pressure.



STEP 5: Disconnect the garden hose from the water inlet on the machine.



STEP 6: Disconnect the high pressure hose from discharge nipple.



STEP 7: Engage the spray gun safety lock.

STORAGE

CAUTION: Always store your pressure washer in a location where the temperature will not fall below 32°F (0°C). The pump in this machine is susceptible to permanent damage if frozen. **FREEZE DAMAGE IS NOT COVERED BY WARRANTY.**

1. Stop the pressure washer, squeeze spray gun trigger to release pressure.
2. Detach water supply hose and high pressure hose.
3. Turn on the machine for a few seconds, until remaining water exits. Turn engine off immediately.
4. Drain the gas and oil from the engine.
5. Do not allow high pressure hose to become kinked.
6. Store the machine and accessories in a room which does not reach freezing temperatures.

CAUTION: Failure to follow the above directions will result in damage to your pressure washer.

When the pressure washer is not being operated or is being stored for more than one month, follow these instructions:

1. Replenish engine oil to upper level.
2. Drain gasoline from fuel tank, fuel line, fuel valve and carburetor.
3. Pour about one teaspoon of engine oil through the spark plug hole, pull the starter grip several

times and replace the plug. Then pull the starter grip slowly until you feel increased pressure which indicates the piston is on its compression stroke and leave it in that position. This closes both the intake and exhaust valves to prevent rusting of cylinder.

4. Cover pressure washer and store in a clean, dry place that is well ventilated away from open flame or sparks. **NOTE:** The use of a fuel additive, such as STA-BIL®, or an equivalent, will minimize the formulation of fuel deposits during shortage. Such additives may be added to the gasoline in the fuel tank of the engine, or to gasoline in a storage container.

After Extended Storage



CAUTION: Prior to restarting, thaw out any possible ice from pressure washer hoses, spray gun or wand.

Engine Maintenance

During the winter months, rare atmospheric conditions may develop which will cause an icing condition in the carburetor. If this develops, the engine may run rough, lose power and may stall. This temporary condition can be overcome by deflecting some of the hot air from the engine over the carburetor area. **NOTE:** Refer to the engine manufacturer's manual for service and maintenance of the engine.

PREVENTATIVE MAINTENANCE

For Models: HD 5/30 G, HD 6/30 G, HD 8/35 G, HD 3.4/30 D

This pressure washer was produced with the best available materials and quality craftsmanship. However, you as the owner have certain responsibilities for the correct care of the equipment. Attention to regular preventative maintenance procedures will assist in preserving the performance of your equipment. Contact your dealer for maintenance. Regular preventative maintenance will add many hours to the life of your pressure washer. Perform maintenance more often under severe conditions. Check pump oil and engine oil level before first use of your new pressure washer.

MAINTENANCE SCHEDULE

Engine Oil SAE 10W-30	Inspect	Daily
	Change	First month or 20 hours. Every 100 hours or every 6 months after first month
	Filter	Every 50 hours
Air Cleaner/Filter	Inspect or check	Daily or each use
	Clean	Every 6 months or 100 hours
	Replace	Every 2 years or 500 hours (Replace the paper filter element only)
Engine Fuel Filter	Replace	Every year or 300 hours
Spark Plug Maintenance		300 hours or annually
Clean Fuel Tank(s)		Annually
Replace Fuel Lines		Annually
Pump Oil (Non foaming) SAE 10W-40	Inspect	Oil level Daily or Each use
	Change	After first 50 hours, then every 500 hours or annually
Replace High Pressure Nozzle		Every 6 months
Replace Quick Connects/O-Rings		Annually/As needed
Clean Water Screen/Filter		Weekly
Replace HP Hose		Annually (if there are any signs of wear)

*When servicing belts, don't exceed 14 lb-ft on pump mounting screws. Failure to do so will cause pump thread damage.

NOTE: Read engine manual for any maintenance or service questions.

TROUBLESHOOTING

For Models: HD 5/30 G, HD 6/30 G, HD 8/35 G, HD 3.4/30 D

PROBLEM	POSSIBLE CAUSE	SOLUTION
LOW OPERATING PRESSURE	Faulty pressure gauge	Install new gauge.
	Insufficient water supply. Closed faucet. Inlet hose kinked	Use larger supply hose; clean filter at water inlet. Open faucet.
	Clogged inlet hose strainer	Check plumbing system for leaks. Retape leaks with teflon tape.
	Old, worn or incorrect spray nozzle	Match nozzle number to machine and/or replace with new nozzle.
	Belt slippage	Tighten or replace; use correct belt.
	Plumbing or hose leak	Check plumbing system for leaks. Re-tape leaks with teflon tape.
	Faulty or mis-adjusted unloader valve	Adjust unloader for proper pressure. Install repair kit when needed.
	Worn packing in pump	Install new packing kit. Call Dealer Customer Support.
	Fouled or dirty inlet or discharge valves in pump	Clean inlet and discharge valves.
	Machine has been stored in freezing temperatures	Thaw out machine completely, including hose, spray gun and wand.
	Worn inlet or discharge valves	Replace with valve kit.
	Obstruction in spray nozzle	Remove obstruction.
	Leaking pressure control valve	Rebuild or replace as needed.
	Slow engine RPM	Set engine speed at proper specifications.
	Pump sucking air	Check water supply and possibility of air seepage.
	Valves sticking	Check and clean or replace if necessary.
Unloader valve seat faulty	Check and replace if necessary.	
FLUCTUATING PRESSURE	Worn or dirty pump valves	Call local distributor.
	Nozzle is obstructed	Blow out or remove debris with fine needle.
	Pump sucking air, inlet hose leaking	Check that all hoses and fittings are airtight. Turn off machine and trigger spray gun until a steady flow of water emerges through the nozzle.
	Insufficient water supply	Turn water on full force. Check garden hose for kinks, leaks or blockage.
PRESSURE LOW AFTER PERIOD OF NORMAL USE	Nozzle worn	Replace nozzle.
	Unloader valve worn	Replace unloader valve.
ENGINE WILL NOT START OR STOPS WHILE OPERATING	Low oil shutdown	Fill engine with oil.
	Out of gas	Fill fuel tank.
	Water in gasoline	Drain gas tank; fill with clean fuel.

TROUBLESHOOTING

For Models: HD 5/30 G, HD 6/30 G, HD 8/35 G, HD 3.4/30 D

PROBLEM	POSSIBLE CAUSE	SOLUTION
ENGINE IS OVERLOADED	Nozzle partially blocked	Clean nozzle.
	Excessive pressure from high engine RPM	Adjust engine throttle to lower RPM.
PRESENCE OF WATER IN PUMP OIL	Water sprayed at machine	Change oil. Direct spray away from machine.
	High humidity in air	Check and change oil twice as often.
	Piston packing worn. Oil seal worn.	Call local distributor.
ENGINE OPERATES FOR 15 MINUTES THEN STOPS	Not enough gas or engine oil	Fill tank with gas. Check oil level.
	Vapor lock developed by heat of day	Keep gas tank full to avoid vapor locking.
	Obstruction in fuel filter	Clean or replace fuel filter.
ENGINE LACKS POWER	Dirty air filter	Replace air filter.
ENGINE FALTERS	Choke is opened too soon	Move choke to halfway position until engine runs smoothly.
WATER DRIPPING FROM UNDER PUMP	Piston packing worn	Call local distributor.
	O-Ring plunger retainer worn	Call local distributor.
	Cracked piston	Call local distributor.
OIL DRIPPING FROM UNDER PUMP	Oil seal worn or damaged	Call local distributor.
WATER LEAKING FROM PUMP PROTECTOR	Spray gun closed with machine running 5 minutes or longer	Open spray gun or turn off machine.
NO DETERGENT	Detergent suction tube not properly connected to machine	Check connection.
	Detergent is too thick	Dilute detergent. For best results, use manufacturers detergent.
	Detergent filter valve is at lowest setting	Set detergent filter valve to a higher setting.
	Filter on detergent suction tube is clogged	Run warm water through filter to remove debris.
	Damaged or clogged detergent suction tube	Remove obstruction or replace detergent suction tube.
	A high pressure nozzle is attached.	Replace with black detergent nozzle.
	Discharge nozzle is obstructed	Blow out or remove debris with fine needle.
HOSE CONNECTION LEAKS	Loose fittings	Tighten fittings.
	Missing/worn rubber washer	Insert new washer.

TROUBLESHOOTING

For Models: HD 5/30 G, HD 6/30 G, HD 8/35 G, HD 3.4/30 D

PROBLEM	POSSIBLE CAUSE	SOLUTION
SPRAY WAND LEAKS	Spray wand not properly attached	Slide the spray wand into the gun. Turn the wand collar clockwise onto the spray gun threads until tight.
	Broken o-ring	Call local distributor and order an o-ring.
PUMP IS NOISY	Pump is sucking air	Check that hoses and fittings are air tight. Turn off machine and purge pump by squeezing trigger gun until a steady flow of water emerges through nozzle.

OIL CHANGE RECORD

Check pump oil and engine oil level before first use of your new pressure washer.

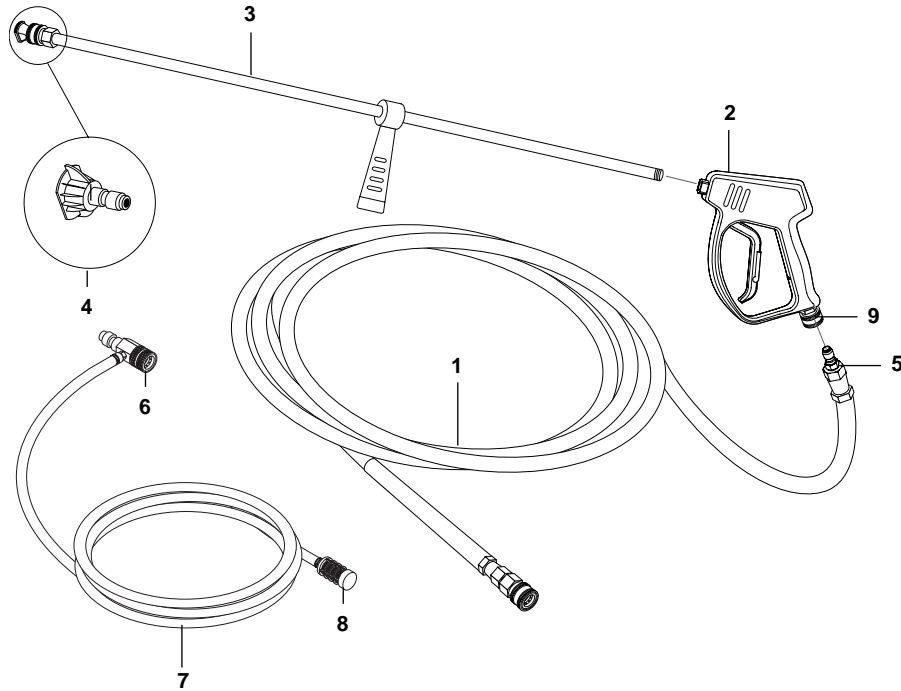
Pump oil: Check level daily before first use of your new Power Washer. Change pump oil after first 50 hours every year or 500 hours thereafter. Use SAE 10W-40 non foaming.

Engine oil: Check daily before first use of your new Power Washer. Change engine oil after first 20 hours and every 100 hours thereafter. Use SAE 10W-30.

Date Pump Oil Changed Month/Day/Year	Estimated Operating Hours Since Last Oil Change	Date Engine Oil Changed Month/Day/Year	Estimated Operating Hours Since Last Oil Change

NOTE: Read engine manual for any maintenance or service questions.

ACCESSORIES ASSEMBLY



ACCESSORIES ASSEMBLY PARTS LIST

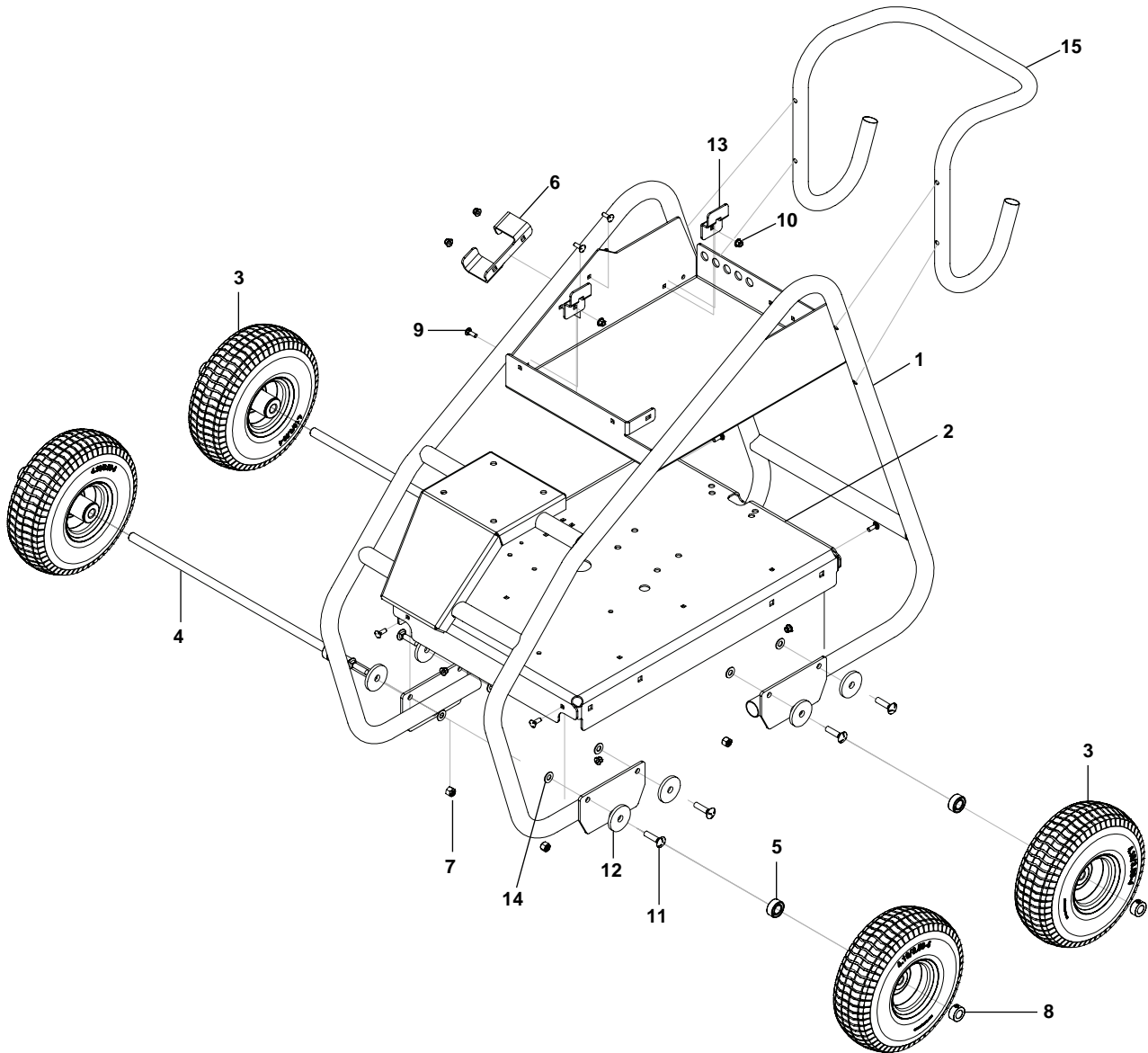
ITEM	PART NO.	DESCRIPTION	QTY
1	8.925-132.0	Hose, 3/8" X 50' 2W 6000PSI SW/SO/CPL (HD 5/30 G, HD 6/30 G)	1
	8.925-134.0	Hose, 1/2" X 50' 2W 5000PSI SW/SO/CPL (HD 8/35 G)	1
	8.925-130.0	Hose, 3/8" X 50' 1W 4000PSI SW/SO/CPL (HD 3.4/30 D)	1
2	8.750-247.0	Gun, M407 (HD 5/30 G, HD 6/30 G)	1
	8.710-384.0	Gun, ST-1500, 5000 PSI, 10.4 GPM (HD 8/35 G, HD 3.4/30 D)	1
3	8.783-040.0	Wand 44" Zinc Plated, Handle & Coupler (all models)	1
4	Quick Connect Nozzle Kit (6.0) (HD 5/30 G)		
	8.712-362.0	▲ Nozzle, SAQCMEG 1506, Yellow	1
	8.712-363.0	▲ Nozzle, SAQCMEG 2506, Green	1
	8.712-364.0	▲ Nozzle, SAQCMEG 4006, White	1
	8.712-398.0	▲ Nozzle kpl., QCEM-6540 Mess. (CHEM)	1
	Quick Connect Nozzle Kit (7.0) (HD 6/30 G)		
	8.712-370.0	▲ Nozzle, SAQCMEG 1507, Yellow	1
	8.712-371.0	▲ Nozzle, SAQCMEG 2507, Green	1
	8.712-372.0	▲ Nozzle, SAQCMEG 4007, White	1
	8.712-398.0	▲ Nozzle kpl., QCEM-6540 Mess. (CHEM)	1
	Quick Connect Nozzle Kit (9.0) (HD 8/35 G)		
	8.708-463.0	▲ 1/4' QC WASHJET #9 x 15	1
	8.708-464.0	▲ 1/4' QC WASHJET #9 x 25	1
	8.708-465.0	▲ 1/4' QC WASHJET #9 x 40	1
	8.712-398.0	▲ Nozzle COMPL, QCEM-6540 Brass (Chem)	1
	Quick Connect Nozzle Kit (4.0) (HD 3.4/30 D)		
	8.712-346.0	▲ Nozzle, SAQCMEG 1504, YELLOW	1
	8.712-347.0	▲ Nozzle, SAQCMEG 2504, GREEN	1
	8.712-348.0	▲ Nozzle, SAQCMEG 4004, WHITE	1
	8.712-398.0	▲ Nozzle, COMPL, QCEM-6540 BRASS (Chem)	1

ACCESSORIES ASSEMBLY PARTS LIST

ITEM	PART NO.	DESCRIPTION	QTY
5	9.802-170.0	Coupler, 3/8" plug, female, steel/zinc (all models)	1
6	9.802-216.0	Injector, Chem, 0.083 (HD 5/30 G, HD 3.4/30 D)	1
	8.757-724.0	Injector Chem Non Adj 2.3 5-9GPM (HD 6/30 G, HD 8/35 G)	1
7	6.388-216.0	Hose DN 5 (HD 5/30 G, HD 3.4/30 D)	1M
8	5.731-652.0	Filter with weight (HD 5/30 G, HD 3.4/30 D)	1
9	9.802-169.0	Coupler, 3/8" Socket, Male, Brass (all models)	1

▲ Not Shown

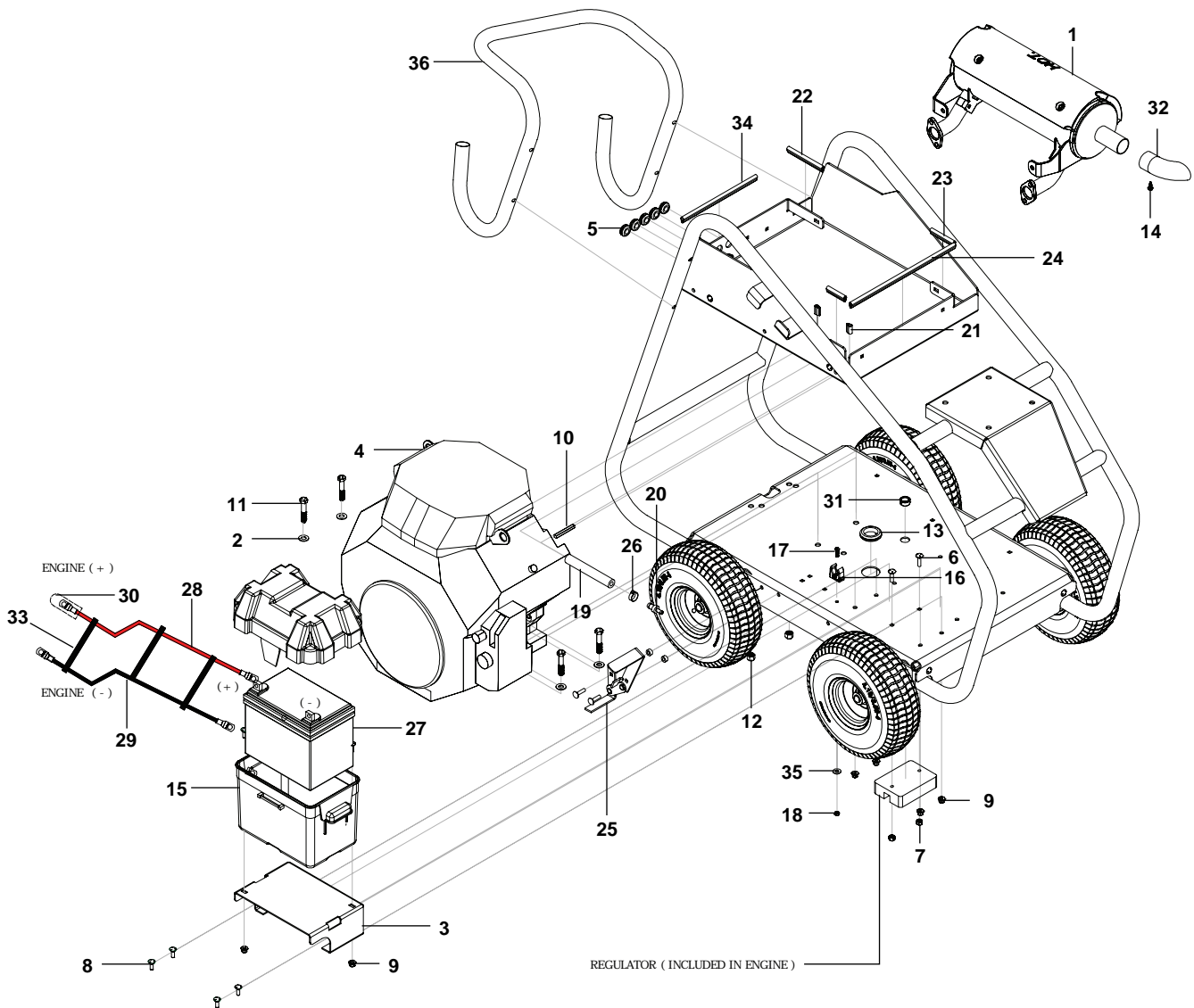
FRAME ASSEMBLY EXPLODED VIEW



FRAME ASSEMBLY EXPLODED VIEW PARTS LIST

ITEM	PART NO.	DESCRIPTION	QTY
1	8.928-612.0	Cage High Flow	1
2	8.928-607.0	Base High Flow	1
3	8.756-365.0	QH Wheel Assy 10",Gray STL RIM, Flat	4
4	8.919-422.0	Axle Short Base AL 24.5" Long	2
5	8.751-374.0	Spacer 5/8 X 1,25 Black	4
6	8.928-692.0	Wand Holder HF	1
7	9.197-003.0	3/8-16 NE Nylon Insert L/N ZC 5UM White	8
8	9.802-782.0	Collar, 5/8" Bore Shaft 3010	4
9	8.757-432.0	Bolt, 1/4-20 x 3/4,Carriage ST CL5 ZNPLT	8
10	9.197-010.0	1/4-20" Nylon Insert Lock Nut With Flange	8
11	8.757-629.0	Bolt 3/8-16 X 1.5"Carriage Zinc Plt Cl	8
13	8.928-605.0	Support Strap Tank	2
12	9.802-067.0	Bumper Pad, Engine	8
14	9.198-004.0	3/8 USS F/W Zinc	8
15	Handle	See exploded view	

EXPLODED VIEW - RIGHT SIDE



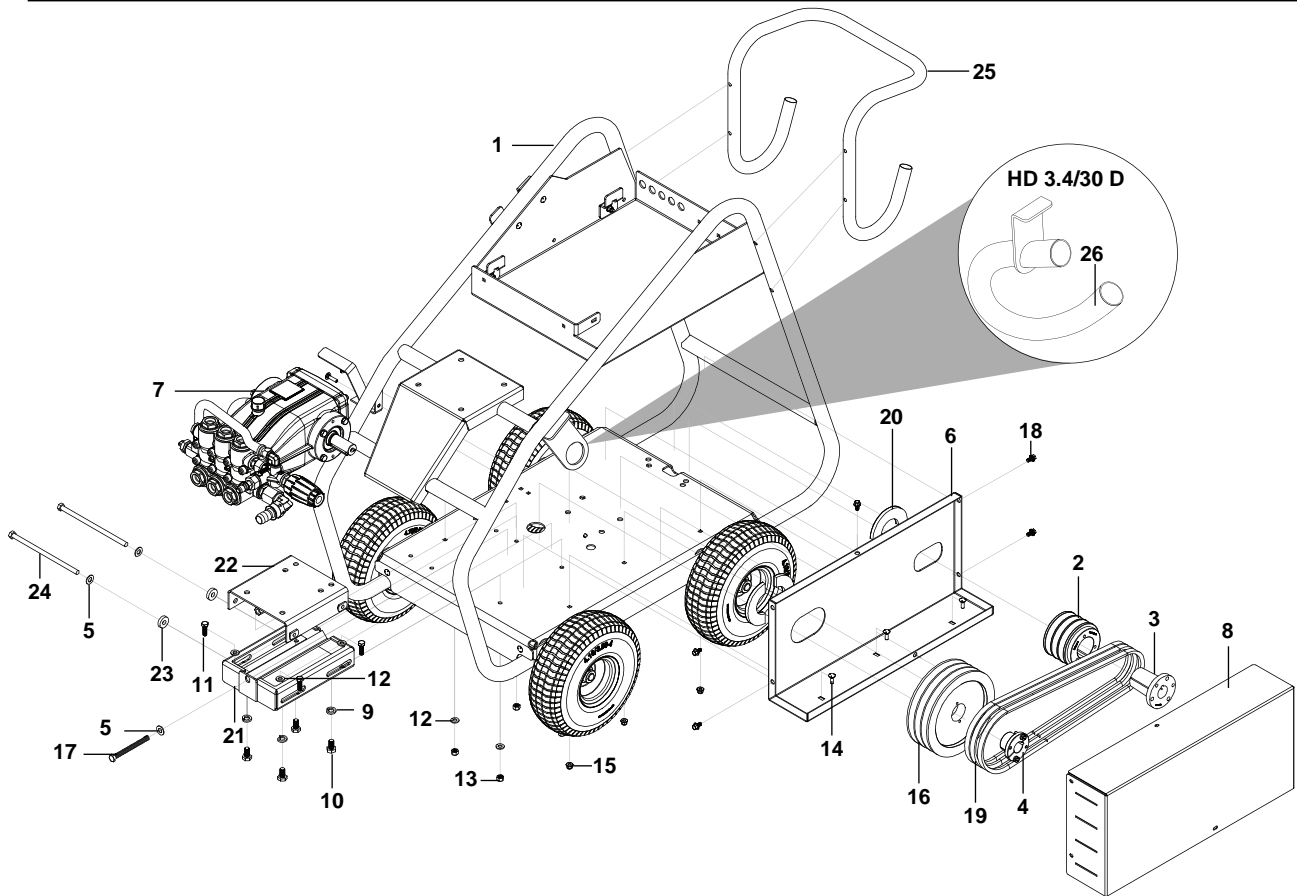
EXPLODED VIEW PARTS LIST - RIGHT SIDE

ITEM	PART NO.	DESCRIPTION	QTY
1	8.750-498.0	Muffler, Honda, GX630/GX660, Left (Except model HD 3.4/30D)	1
2	9.198-004.0	3/8 USS F/W Zinc	11
3	8.928-620.0	Battery Bracket	1
4	8.752-149.0	Engine Honda GX630RHQXF No Throttle (HD 8/35 G)	1
	8.757-350.0	Engine Honda GX690RHTXF5 662650 (HD 5/30G and HD 6/30 G)	1
	8.757-268.0	Engine, Kohler KD440-9008 (HD 3.4/30 D)	1
5	8.755-187.0	Grommet, Rubber	5
6	8.757-433.0	Bolt, 1/4-20 x 1", Carriage ST CL5 ZNPLT	2
7	9.802-773.0	Nut, 1/4-20 ESNA NC	2
8	8.757-432.0	Bolt, 1/4-20 X 3/4, Carriage ST CL5 ZNPLT	13
9	9.197-010.0	1/4-20" Nylon Insert Lock Nut With Flange	13
10	9.802-959.0	Key, 0.247 SQR X 2.125" (Only HD 8/35 G)	1
11	9.802-728.0	Bolt, 3/8-16 x 2", HH Zinc	4
12	9.197-003.0	3/8-16 NE Nylon Insert L/N ZC 5UM White	4
13	8.750-647.0	Grommet Rubber 1 1/2"	1
14	8.718-941.0	Screw, 10-16 X 5/8 TEK	1

EXPLODED VIEW PARTS LIST - RIGHT SIDE

ITEM	PART NO.	DESCRIPTION	QTY
15	8.706-652.0	Battery Box, Small	1
16	9.802-203.0	Clamp, 1/2" RO-CLIP, KLEINHUIS P/N 796/1	1
17	9.802-771.0	Screw, 10/32" X 3/4", BH SOC CS	1
18	9.804-567.0	*Nut, 10/32', ESNA	1
19	8.711-785.0	Hose, 3/8" Push ON, Per FT	10 1/4"
20	9.802-141.0	Hose Barb, 1/4' Barb X 3/8' Barb, DOU	1
21	9.802-071.0	Trim, 750 B2 X 1/16. Black, /FT	3/4" (4 PCS)
22	9.802-071.0	Trim, 750 B2 X 1/16. Black, /FT	4" (1 PCS)
23	9.802-071.0	Trim, 750 B2 X 1/16. Black, /FT	2 5/8" (3 PCS)
24	9.802-071.0	Trim, 750 B2 X 1/16. Black, /FT	11 15/16" (1 PCS)
25	8.929-229.0	Assembly Brake High Flow	1
26	8.753-065.0	Clamp, 1 Ear, 15.7mm- 18.5mm (#10)	1
27	8.754-990.0	Battery, 12v, 35ah, Small	1
28	8.757-737.0	Cable Battery 27" Red 4 Ga	1
29	8.757-738.0	Cable Battery 30" Black 4 Ga	1
30	9.804-615.0	Cover, Battery Terminal, Red	1
31	8.706-731.0	Bushing, 3/4" Snap Heyco P/N 2096	1
32	8.915-387.0	Deflector, Exhaust, 1.375" D Pipe, 45DEG (Except model HD 3.4/30D)	1
33	9.802-510.0	Cable, TIE, 4" Black	6
34	9.802-071.0	Trim, 750 B2 X 1/16. Black, /FT	8 1/2" (1 PCS)
35	9.802-802.0	Washer, 1/4" Flat SAE Zinc	1
36	Handle	See exploded view	

EXPLODED VIEW - LEFT SIDE



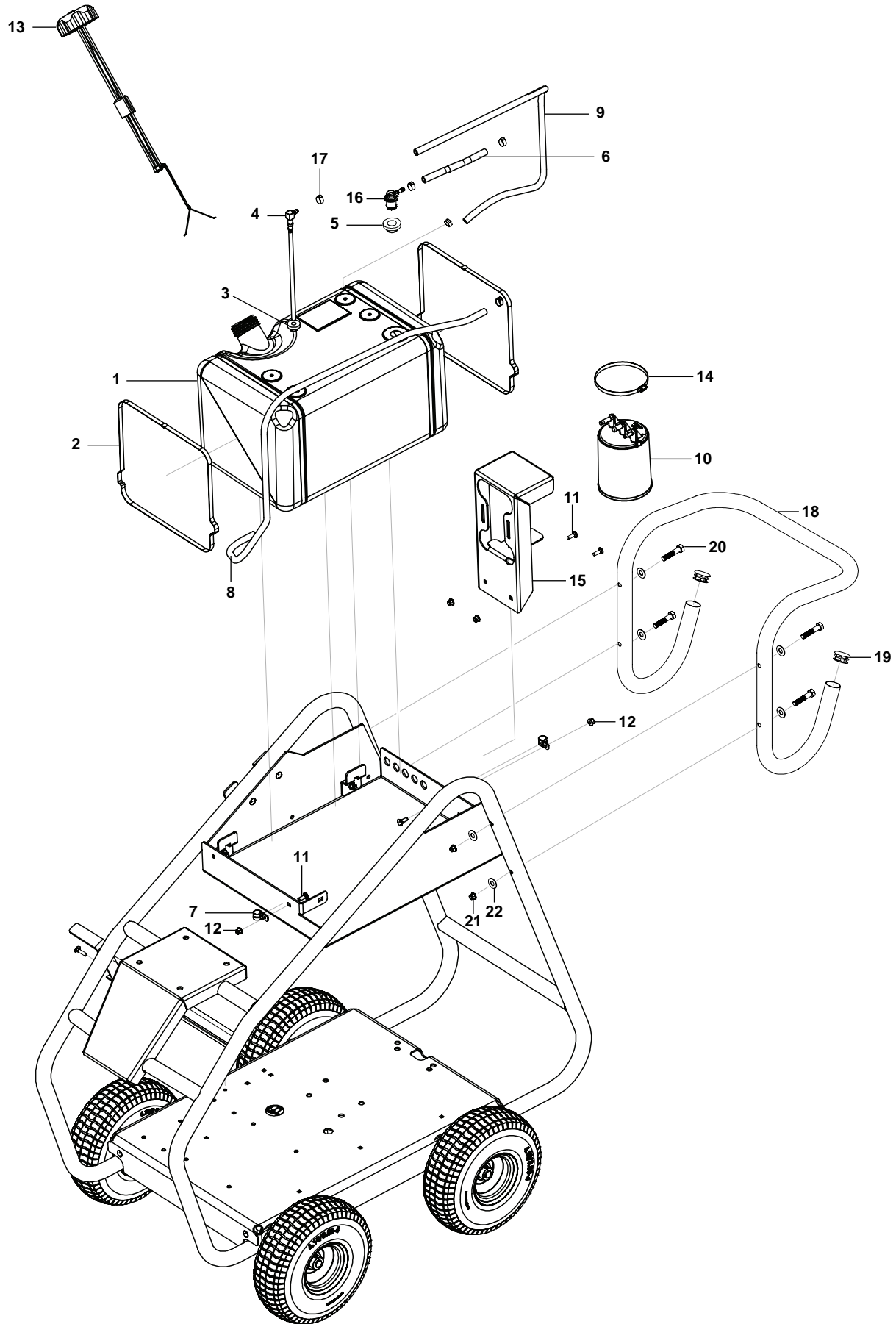
EXPLODED VIEW PARTS LIST - LEFT SIDE

ITEM	PART NO.	DESCRIPTION	QTY
1	8.928-604.0	Frame Assembly HF Karcher	1
2	9.802-393.0	Pulley, 3TB36 (HD 8/35 G)	1
	8.715-576.0	Pulley, 2BK 32 H (HD 5/30 G and HD 6/30 G)	1
	9.802-383.0	Pulley, 2BK 36 H (HD 3.4/30 D)	1
3	9.802-405.0	Bushing, P2 X 1-1/8 (HD 8/35 G)	1
	9.802-399.0	Bushing, H X 1 (HD 5/30 G, HD 6/30 G and HD 3.4/30D)	1
4	9.802-403.0	Bushing, H X 25MM (HD 5/30 G, HD 6/30 G and HD 8/35 G)	1
5	9.198-004.0	3/8 USS F/W Zinc	11
6	8.929-108.0	Guard Rivnut	1
	8.929-110.0	Guard Rivnut Diesel	1
7	Pump Assy	See exploded page	
8	8.928-633.0	Front Guard HF	1
9	9.802-816.0	Washer, 7/16", Split Ring Lock, 780481	4
10	9.802-744.0	Bolt, 10mm x 20mm, HH Zinc	4
11	9.802-710.0	Screw 5/16" x 1" NC	4
12	8.718-980.0	Washer, 5/16" Flat, SAE (780452)	8
13	9.802-776.0	Nut, 5/16-18, ESNA	4
14	8.757-432.0	Bolt, 1/4-20 X 3/4, Carriage ST CL5 ZNPLT	13
15	9.197-010.0	1/4-20" Nylon Insert Lock Nut With Flange	13
16	8.715-618.0	Pulley, 3BK 80 H (HD 8/35 G)	1
	8.715-592.0	Pulley, 2BK 80H (HD 5/30 G and HD 6/30 G)	1
	8.715-591.0	Pulley, 2BK 70 H (HD 3.4/30 D)	1
17	8.718-682.0	Bolt, 3/8-16 X 3-1/2, Tap, SS	1

EXPLODED VIEW PARTS LIST - LEFT SIDE

ITEM	PART NO.	DESCRIPTION	QTY
18	9.802-754.0	Screw, 1/4" x 1/2" NC, Whiz LOC Flange	6
19	9.802-420.0	Belt, BX 43 (HD 8/35 G)	3
	9.802-420.0	Belt, BX 43 (HD 5/30 G and HD 6/30 G)	2
	8.715-702.0	Belt, BX 41 (HD 3.4/30 D)	2
20	8.932-993.0	Cushion, Pump (Thin)	3
	8.932-993.0	Cushion, Pump (Thin) (HD 3.4/30 D)	4
21	8.928-695.0	Slider Base Lower HF	1
22	8.928-696.0	Pump Base High Flow	1
23	8.719-047.0	Washer, Nylon, .390 ID X 1 OD X .25 THK	2
24	8.725-549.0	Bolt, 3/8" X 7-1/2" HH	2
25	Handle	See exploded view	
26	8.929-240.0	Assembly Flame Guard and Pipe (HD 3.4/30 D)	1

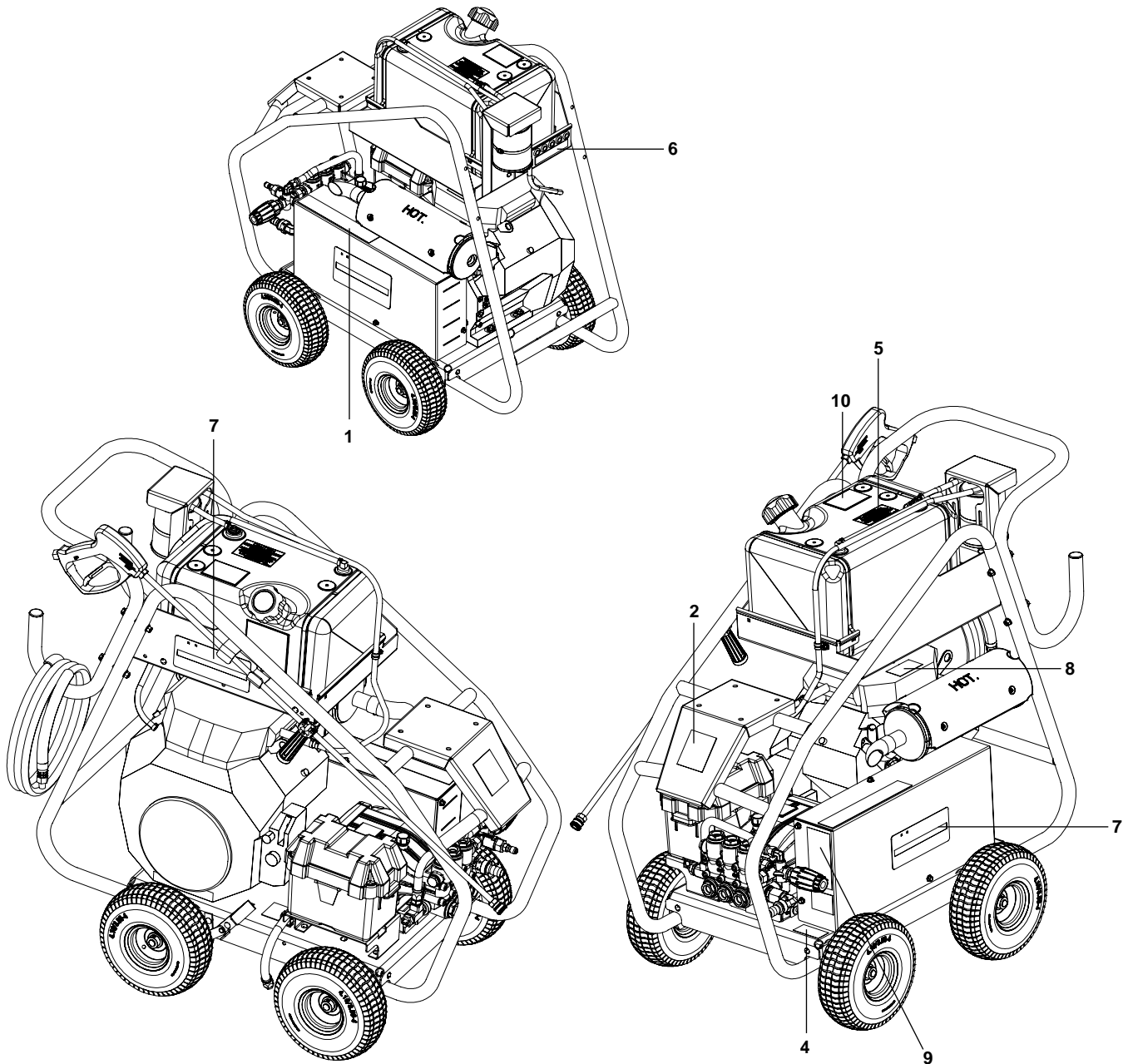
FUEL TANK AND HANDLE EXPLODED VIEW



FUEL TANK AND HANDLE EXPLODED VIEW PARTS LIST

ITEM	PART NO.	DESCRIPTION	QTY
1	8.752-915.0	Tank, 7.25 GAL, Low-Perm	1
2	9.802-512.0	Cable, Tie, 48"	2
3	9.802-053.0	Bushing, Fuel Line, Rubber	1
4	9.803-531.0	Diptube Assy, Plastic, 10.00" Long	1
5	8.751-215.0	Grommet, Remote Vent,Kelch	1
6	9.802-254.0	Hose, 1/4" Push-On, /FT (except model HD 3.4/30 D)	5 1/2"
7	8.617-709.0	Clamp, Cable 1/2I.D. 1/4BLT	2
8	9.802-254.0	Hose, 1/4" Push-On, /FT	34 1/2"
	9.802-254.0	Hose, 1/4" Push-On, /FT (model HD 3.4/30 D)	36"
9	9.802-254.0	Hose, 1/4" Push-On, /FT	28 1/4"
	9.802-254.0	Hose, 1/4" Push-On, /FT (model HD 3.4/30 D)	41"
10	8.751-380.0	Carbon Canister, 850cc (except model HD 3.4/30 D)	1
11	8.757-432.0	Bolt, 1/4-20 X 3/4,Carriage ST CL5 ZNPLT	13
	8.757-432.0	Bolt, 1/4-20 X 3/4,Carriage ST CL5 ZNPLT (model HD 3.4/30 D)	11
12	9.197-010.0	1/4-20" Nylon Insert Lock Nut With Flange	13
	9.197-010.0	1/4-20" Nylon Insert Lock Nut With Flange (model HD 3.4/30 D)	14
13	8.751-057.0	Cap Ratcheting, Fuel with gauge & tether	1
	9.802-089.0	Cap, Fuel, Plastic H60-AV1 (model HD 3.4/30 D)	1
14	8.752-918.0	Clamp, Hose, #64 4.5-2.5 x 9/16 SS (except model HD 3.4/30 D)	1
15	8.928-772.0	Canister Support (except model HD 3.4/30 D)	1
16	8.751-059.0	Vent, remote assembly, CARB	1
17	8.753-066.0	Clamp, 1 Ear, 12.6mm - 14.5mm (#7)	6
	8.753-066.0	Clamp, 1 Ear, 12.6mm - 14.5mm (#7) (model HD 3.4/30 D)	4
18	8.928-606.0	Handle High Flow	1
19	8.754-441.0	Plastic Cap_1.25"Diam_Tube	2
20	8.718-636.0	Bolt, 5/16' X 3', NC HH, Zinc	4
21	9.802-776.0	Nut, 5/16-18, ESNA	4
22	8.718-980.0	Washer, 5/16" Flat, Sae (780452)	8

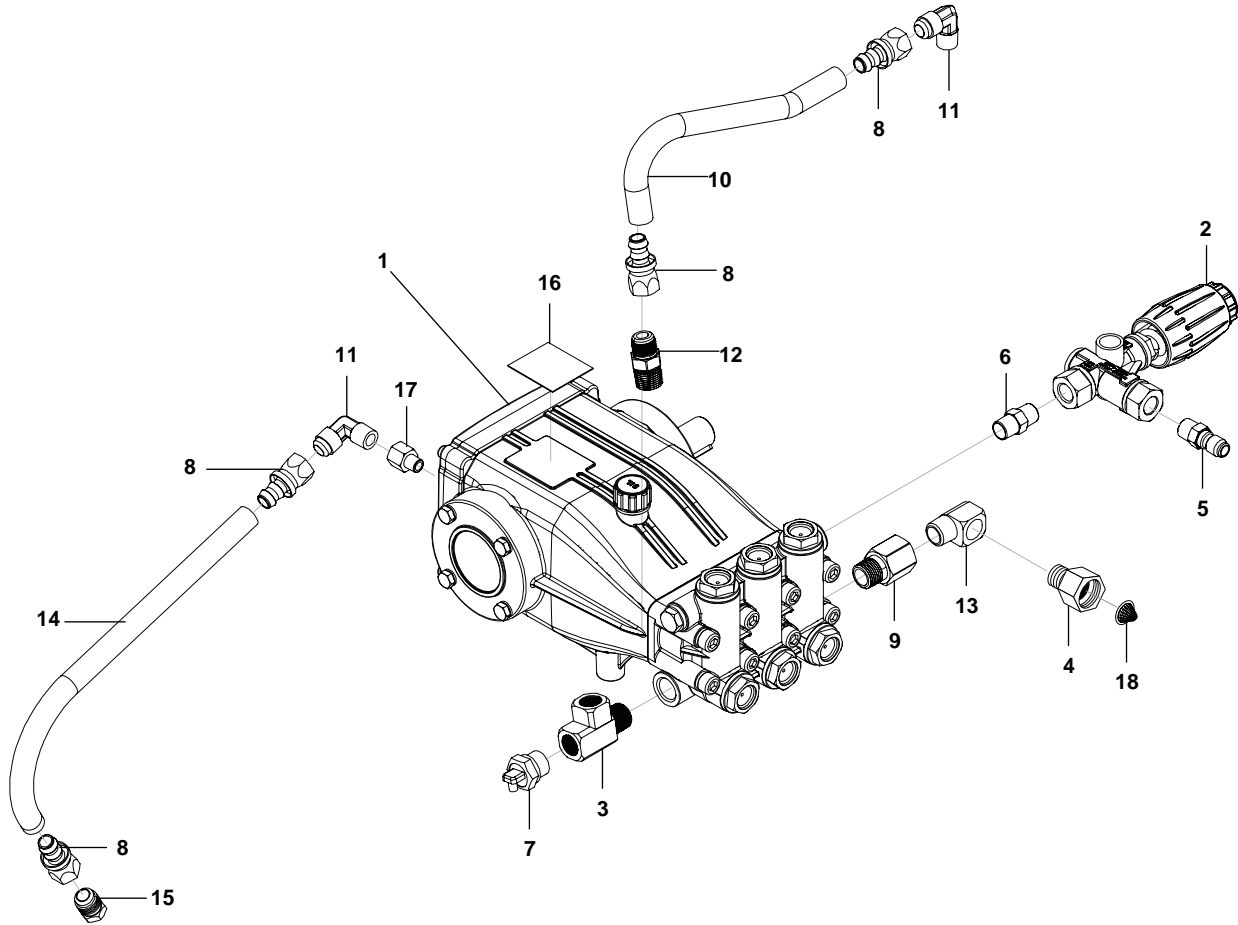
GENERIC LABELS HF WHEELS



GENERIC LABELS HF WHEELS PARTS LIST

ITEM	PART NO.	DESCRIPTION	QTY
1	8.750-809.0	Label Operation Warn Trilingual Small	1
2	5.385-518.0	Label signet glued XL Professional	1
3	8.783-038.0	Label,Universal DB Rating,Ear Protection	1
4	9.800-049.0	Label, Manufacturer's Cleaning Solution	1
5	9.800-001.0	Label, This Tank For Gas Only (HD 5/30 G, HD 6/30 G and HD 8/35 G)	1
	8.932-960.0	Label, Diesel, Black On Yellow (HD 3.4/30 G)	1
6	8.932-967.0	Label, Nozzle, 0, 15, 25, 40, & Soap (HD 5/30 G, HD 6/30 G and HD 3.4/30D)	1
	8.757-476.0	Nozzle Label Black (HD 8/35 G)	1
7	5.385-513.0	Label logo glued XL Professional	1
8	9.800-006.0	Label, Hot/Caliente W/Arrows	1
9	9.803-842.0	Label, Instructions, BR	1
10	8.921-479.0	Label, Carb Compliance	1

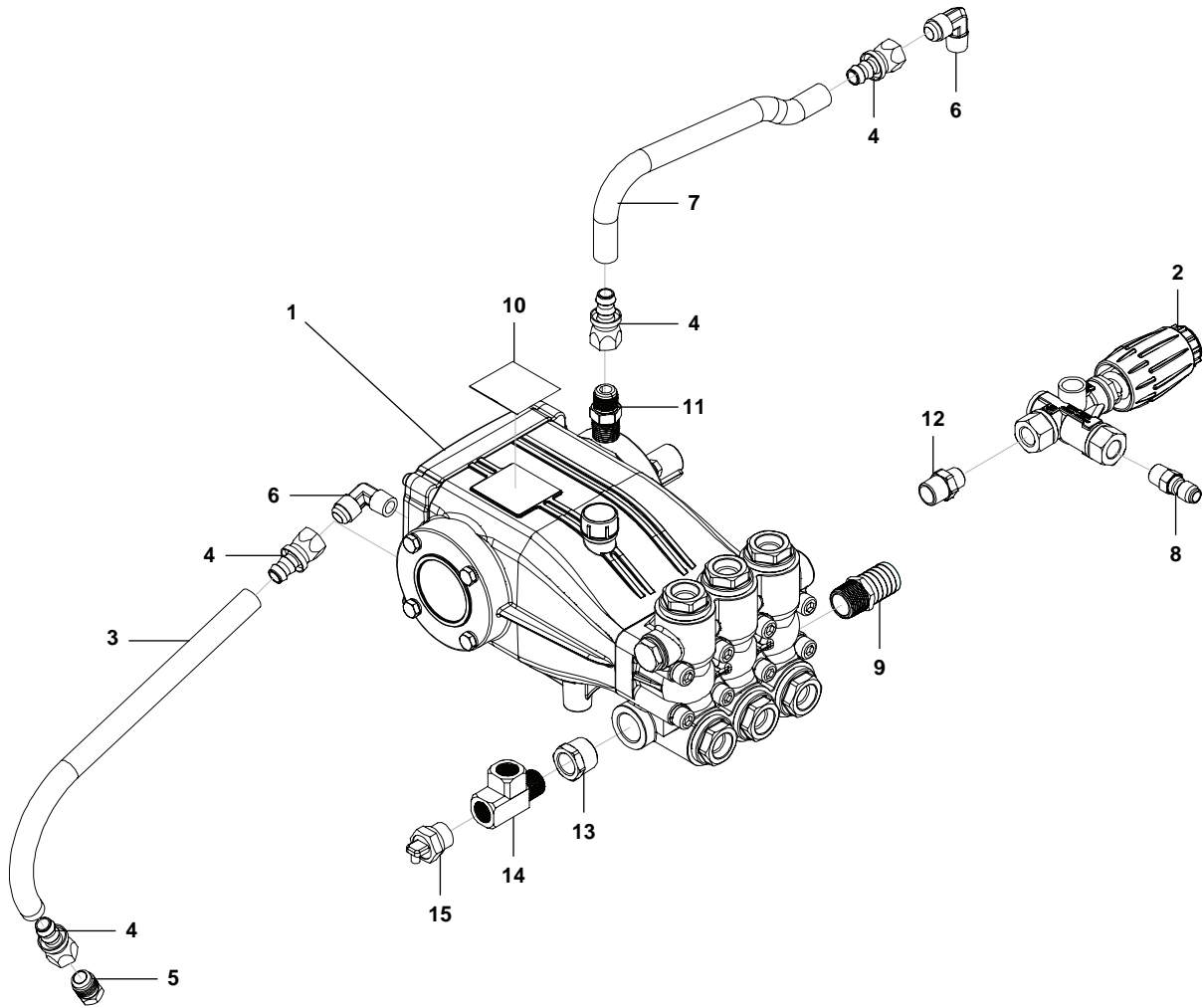
PUMP ASSEMBLY EXPLODED VIEW MODELS: HD 5/30 G, HD 6/30 G, HD 3.4/30 D



PUMP ASSEMBLY EXPLODED VIEW PARTS LIST

ITEM	PART NO.	DESCRIPTION	QTY
1	8.753-535.0	Pump, Leuco LT6036R, 6.0@3600, 1450 RPM (Models HD 5/30G, HD 6/30G)	1
	8.750-755.0	Pump, LM3540R.3, 3.5@ 4000 1850RPM (Model HD 3.4/30D)	1
2	8.750-299.0	Unloader, VRT3, 8 GPM 1 @4500 PSI	1
3	8.757-257.0	Tee, Street 1/2"	1
4	8.757-203.0	Swivel, 1/2" M-NPTF x 3/4" GHF	1
5	8.757-341.0	Coupler steel zinc 3/8" plug male w/slnt	1
6	8.757-653.0	Nipple steel hex 3/8" NPTF x 3/8" BSPP	1
7	8.757-549.0	Pump protector 1/2 140°	1
8	9.802-151.0	Swivel, 1/2" BARB x 1/2"JIC, FEM/Brass	4
9	8.757-193.0	Adapter, 1/2" F-NPTF x 1/2" M-NPTF,Brass	1
10	9.802-259.0	Hose, 1/2" Push-On, /FT	9.5"
11	8.757-262.0	Elbow brass 1/2 SAE (M) x 3/8 NPTF (M)	2
12	8.757-200.0	Adapter brass 1/2 SAE (M) x 1/2 NPTF (M)	1
13	8.757-342.0	Elbow, 1/2" Street, Bbrass	1
14	9.802-259.0	Hose, 1/2" Push-On, /FT	12"
15	9.802-126.0	Plug, 1/2" JIC Flare, 639F-8	1
16	8.757-480.0	Label, Karcher KT6036R.2 Pump (Models HD 5/30G, HD 6/30G)	1
	8.918-799.0	Label, Karcher KM3540R.3 Pump (Model HD 3.4/30D)	1
17	8.706-993.0	Adapter, 3/8' X 3/8' (Model HD 3.4/30D)	1
18	9.804-016.0	Filter Screen Washer, Garden Hose/30MESH	1

PUMP ASSEMBLY EXPLODED VIEW MODEL: HD 8/35 G

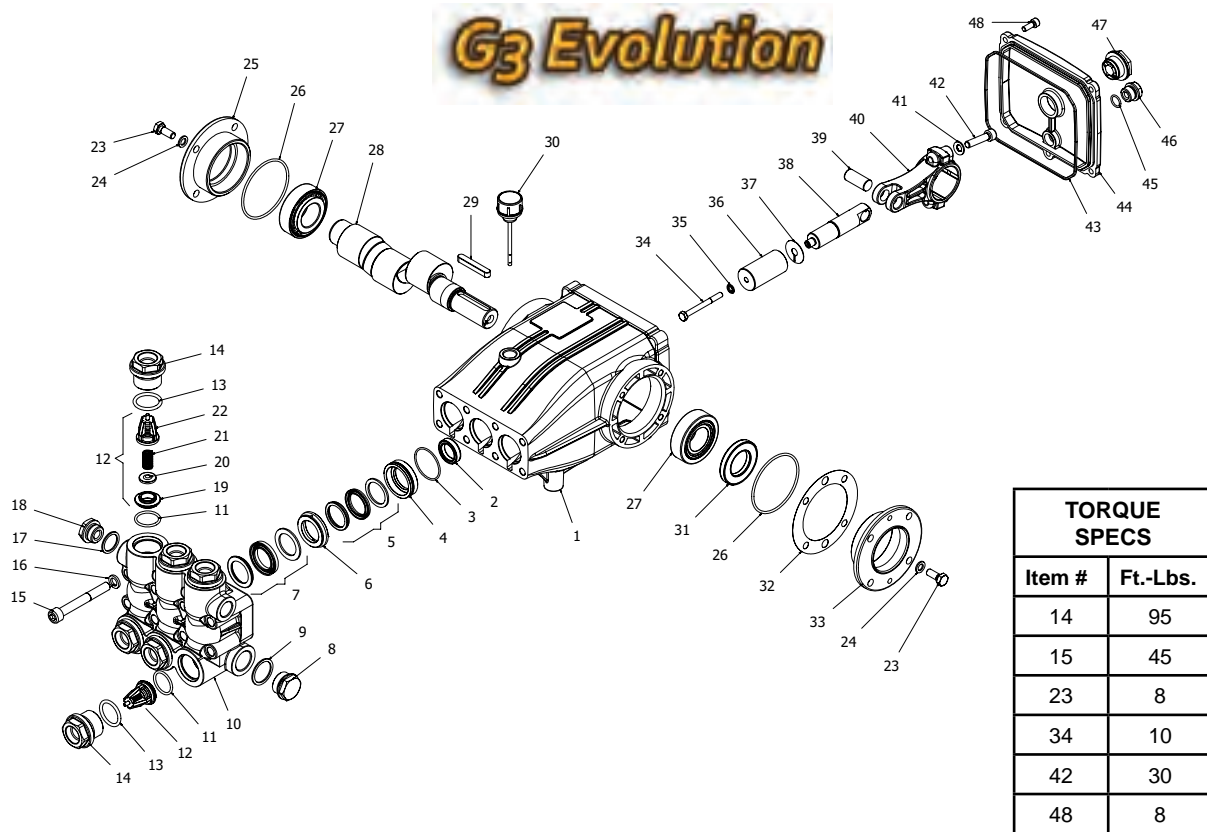


PUMP ASSEMBLY MODEL: HD 8/35 G PARTS LIST

ITEM	PART NO.	DESCRIPTION	QTY
1	8.752-809.0	Pump, Leuco 8043R, 8@4350 1740RPM (Models HD 8/35 G)	1
2	8.750-299.0	Unloader, VRT3, 8 GPM @4500 PSI	1
3	9.802-259.0	Hose, 1/2" Push-On, /FT	12"
4	9.802-151.0	Swivel, 1/2" BARB x 1/2"JIC, Fem/Brass	4
5	9.802-126.0	Plug, 1/2" JIC Flare, 639F-8	1
6	8.757-262.0	Elbow brass 1/2 SAE (M) x 3/8 NPTF (M)	2
7	9.802-259.0	Hose, 1/2" Push-On, /FT	12"
8	8.757-341.0	Coupler steel zinc 3/8" plug male w/slnt	1
9	8.759-210.0	Adapter brass 3/4" NPT x 1" Hose Barb	1
10	8.757-477.0	Label Pump Karcher KX8043R.2 (Models HD 8/35 G)	1
11	8.757-200.0	Adapter brass 1/2 SAE (M) x 1/2 NPTF (M)	1
12	8.757-942.0	Nipple 3/8 X 1/2 Hex Steel	1
13	8.757-486.0	Bushing, 3/4" X 1/2", Brass	1
14	8.757-257.0	Tee, street 1/2"	1
15	8.757-549.0	Pump protector 1/2 140°	1

LT6036R PUMP EXPLODED VIEW

8.928-631.0 KT6036R.2 Right



LT6036R PUMP PARTS LIST

ITEM	PART NO.	DESCRIPTION	QTY	ITEM	PART NO.	DESCRIPTION	QTY
1	8.752-825.0	Crankcase	1	19	See Kit Below	Valve Seat	6
2*	See Kit Below	Plunger Oil Seal	3	20	See Kit Below	Valve Plate	6
3*	See Kit Below	O-Ring Ø1.78 x 37.82	3	21	See Kit Below	Valve Spring	6
4*	See Kit Below	"Pressure Ring, Brass	3	22	See Kit Below	Valve Cage	6
5*	See Kit Below	"U" Seal 18mm	3	23	8.725-830.0	Hexagonal Screw	8
6*	See Kit Below	Intermediate Ring, 18mm	3	24	9.802-884.0	Washer	8
7*	See Kit Below	"U" Seal, 18mm	3	25	9.803-182.0	Closed Bearing Housing	1
8	9.802-926.0	Brass Plug, G1/2	1	26	9.803-186.0	O-Ring Ø2.62 x 71.12	2
9	9.803-199.0	Cooper Washer 1/2	1	27	9.803-160.0	Roller Bearing	2
10	8.753-816.0	Manifould Housing	1	28	8.753-818.0	Crankshaft Ø24 (4540)	1
11*	9.804-498.0	O-Ring Ø2.62 x 25.1	6		8.752-827.0	Crankshaft Ø24 (6036)	1
12*	See Kit Below	Valve Assembly	6	29	9.803-167.0	Cranckshaft Key	1
13*	9.803-193.0	O-Ring 3068	6	30	8.752-834.0	Oil Dipstick	1
14	9.802-928.0	Valve Plug	6	31	9.803-139.0	Crankshaft Seal	1
15	8.753-817.0	Manifould Stud Bolt	8	32	9.803-177.0	Shim	2
16	9.802-890.0	Lock Washer	8	33	9.803-181.0	Bearing Housing	3
17	8.719-008.0	Cooper Washer 3/8	1	34*	8.752-841.0	Plunger Bolt	3
18	8.707-262.0	Brass Plug 3/8	1	35*	8.752-820.0	Bonded Seal	3

LT6036R PUMP PARTS LIST

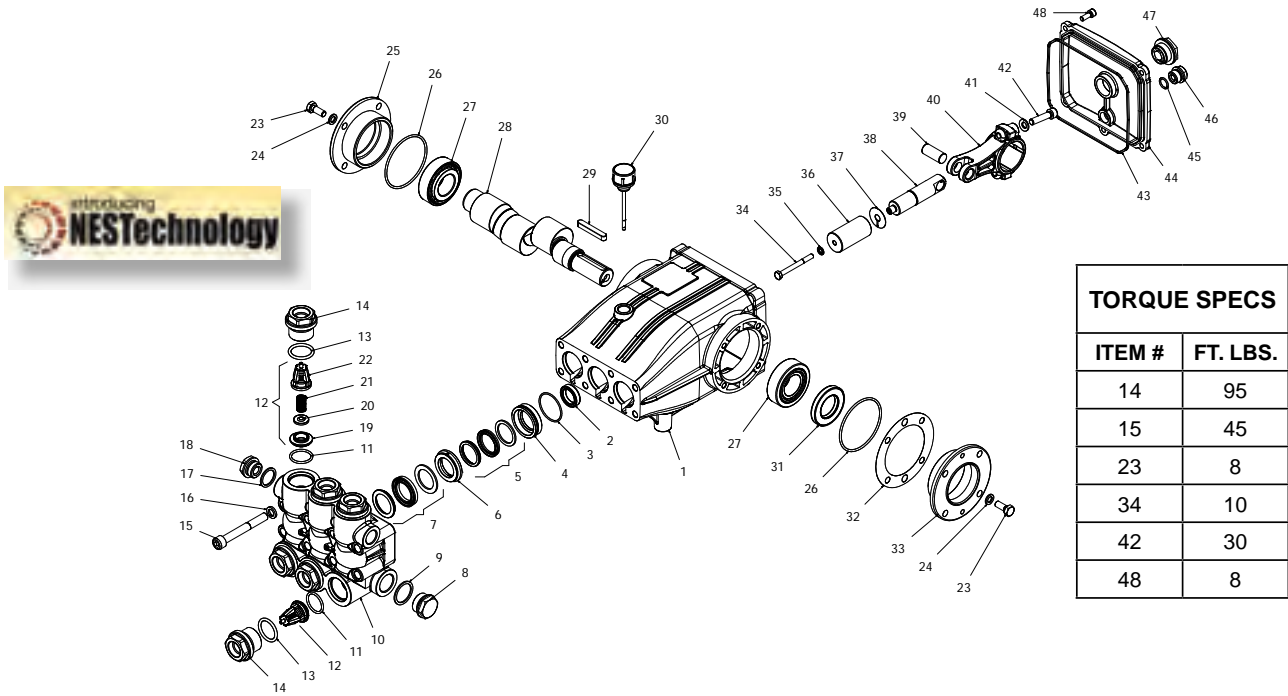
ITEM	PART NO.	DESCRIPTION	QTY
36*	8.753-819.0	Plunger 18mm	3
37*	8.752-823.0	Copper Spacer	3
38	See Kit Below	Plunger Rod	3
39	8.752-822.0	Connecting Rod Pin	3
40	8.752-821.0	Connecting Rod	3
41	9.802-889.0	Spring Washer	6
42	9.802-937.0	Connecting Rod Screw	6
43	9.803-194.0	O-Ring Ø2.62 x 152.07	1
44	8.752-826.0	Crankcase Cover	1
45	9.803-906.0	O-Ring Ø1.78 x 14.00	1
46	8.707-262.0	Brass Plug G 3/8	1
47	9.803-202.0	Sight Glass G3/4	1
48	8.752-824.0	Cover Screw	5

* Part available in kit (See below)

REPAIR KIT NUMBER	8.753-821.0	8.753-822.0	8.753-823.0	8.753-824.0	8.752-835.0
KIT DESCRIPTION	Plunger Seal 18mm	Seal Packing 18mm	Plunger 18mm	Complete Valve	Plunger Oil Seals
ITEM NUMBERS INCLUDED	3,5,7	3,4,5,6,7	34,35,36,37	11,12,13	2
NUMBER OF CYLINDERS KIT WILL SERVICE	3	1	1	6	3

HX8043R PUMP EXPLODED VIEW

8.928-644.0 KX8043R.2 Right



TORQUE SPECS	
ITEM #	FT. LBS.
14	95
15	45
23	8
34	10
42	30
48	8

HX8043R PUMP PARTS LIST

ITEM	PART NO.	DESCRIPTION	QTY	ITEM	PART NO.	DESCRIPTION	QTY
1	8.752-825.0	Crankcase	1	19	See Kits Below	Valve Seat	6
2*	See Kits Below	Plunger Oil seal	3	20	See Kits Below	Valve Plate	6
3*	See Kits Below	O-Ring Ø1.78 x 37.82	3	21	See Kits Below	Valve Spring	6
4*	See Kits Below	Pressure Ring	3	22	See Kits Below	Valve Cage	6
5*	See Kits Below	U-Seal, 25mm	3	23	8.752-830.0	Hex Screw	8
6*	See Kits Below	Intermediate Ring	3	24	9.802-884.0	Washer	8
7*	See Kits Below	U-Seal	3	25	9.803-182.0	Closed Bearing Housing	1
8*	9.803-285.0	Brass Plug, G3/4"	1	26	9.803-186.0	O-Ring Ø2.62 x 71.12	2
9	9.803-286.0	Washer, Copper 3/4"	1	27	9.803-160.0	Roller Bearing	2
10	8.752-831.0	Manifold Housing Ø22/Ø20	1	28	8.752-828.0	Crankshaft Ø25 (5843)	1
11	8.752-836.0	O-Ring Ø2.62 x 21.89	6	28	8.752-829.0	Crankshaft Ø25 (8043, 9536)	1
12*	See Kits Below	Valve Assembly	6	28	8.752-827.0	Crankshaft Ø25 (1036)	1
13*	9.803-287.0	O-Ring Ø3.53 x 25.80-134	6	29	9.803-293.0	Crankshaft Key	1
14	8.752-855.0	Valve Plug	6	30	8.752-834.0	Oil Dop Stick	1
15	8.752-833.0	Manifold Stud Bolt	8	31	9.803-139.0	Crankshaft Seal	1
16	9.802-890.0	Lock Washer	8	32	9.803-177.0	Shim	2
17	9.803-199.0	Copper Washer 1/2"	1	33	9.803-181.0	Bearing Housing	1
18	9.802-926.0	Brass Plug 1/2"	1	34*	8.752-841.0	Plunger Bolt	3

HX8043R PUMP PARTS LIST

ITEM	PART NO.	DESCRIPTION	QTY
35*	8.752-820.0	Bonded Seal	1
36*	8.752-846.0	Plunger, 20mm (5843, 8043)	3
	8.752-847.0	Plunger, 22mm (9539, 1036)	3
37*	8.752-823.0	Copper Spacer	3
38*	8.752-842.0	Plunger Rod	3
39*	8.752-822.0	Connecting Rod Pin	3
40	8.752-821.0	Connecting Rod	3
41*	9.802-889.0	Spring Washer	6
42*	9.802-937.0	Connecting Rod Screw	6
43	9.803-194.0	O-Ring Ø2.62 x 152.07	1
44	8.752-826.0	Crankcase Cover	1
45	9.803-906.0	O-Ring Ø1.78 x 14.00	1
46	8.707-262.0	Brass Plug G3/8"	1
47	9.803-202.0	Sight Glass G3/4"	1
48	8.752-824.0	Cover Screw	5

*Available in Kit (See Below)

REPAIR KIT NO.	8.752-843.0	8.725-844.0	8.725-849.0	8.725-850.0	8.752-838.0	8.752-839.0	8.752-853.0	8.752-835.0
KIT DESCRIPTION	Plunger Seal 20 mm (5843, 8043)	Plunger Seal 22 mm (9536, 1036)	Seal Packing 22 mm (5843, 8043)	Seal Packing 22 mm (9536, 1036)	Plunger 20 mm (5843, 8043)	Plunger 22 mm (9536, 1036)	Complete Valve	Plunger Oil Seals
ITEM NUMBERS INCLUDED	3, 5, 7	3, 5, 7	3, 4, 5, 6, 7	3, 4, 5, 6, 7	34, 35, 36, 37	34, 35, 36, 37	11, 12, 13	2
NO. OF CYLINDERS KIT WILL SERVICE	3	3	1	1	1	1	6	6



THANK YOU!
MERCI! ¡GRACIAS! DANKE!



Register your product and benefit from many advantages.

Enregistrez votre produit et bénéficiez de nombreux avantages.

Registre su producto y aproveche de muchas ventajas.

Registrieren Sie Ihr Prudukt und Sie von vielen Vorteilen.

www.kaercher.com/welcome

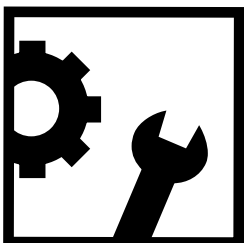


Rate your product and tell us your opinion.

Évaluez votre produit et donnez-nous votre opinion.

Reseña su producto y díganos su opinión.

Bewerten Sie Ihr Produkt und sagen Sie uns Ihre Meinung.



www.kaercher.com/dealersearch

Kärcher North America

6398 N Kärcher Way

Aurora, CO 80019

Phone: +1 800 444-7654

