

**2HOT Series**  
Hot Water - Electric Powered - Diesel/Oil Heated

**LANDA®**

**Service Manual**

**Pressure Washer**

**MODELS: 2HOT 2-15024D**  
**1.109-177.0**

**2HOT 4-20024A**  
**1.109-178.0**

**2HOT 4-20024G**  
**1.109-179.0**



For the Landa Dealer nearest  
you, consult our web page at  
[www.landa.com](http://www.landa.com)

**SHOP PRESSURE WASHER PARTS**

[shoppresurewasherparts.com](http://shoppresurewasherparts.com) | (888) 269-0172



9.808-354.0 - B

08/16/22



---

How To Use This Manual.....	4
Troubleshooting.....	5-8
Preventative Maintenance.....	9
Oil Change Record.....	9
Burner / Coil Assembly And Parts List.....	10-11
Chassis Assembly And Parts List.....	12-13
Control Panel Assembly And Parts List.....	14-15
Motor Pump Direct Drive Assembly And Parts List.....	16
Motor Pump Belt Drive Assembly And Parts List.....	17-18
Hose & Spray Gun Assembly.....	19
Downstream Injector Assembly.....	20
LH2126S Pump Exploded View.....	21
LM Pump Exploded View - Pump Parts List.....	22-23
Burner Specifications.....	23
Burner Exploded View.....	24-25
Wiring Diagram.....	26-27

Model Number \_\_\_\_\_

Serial Number \_\_\_\_\_

Date of Purchase \_\_\_\_\_

The model and serial numbers will be found on a decal attached to the pressure washer. You should record both serial number and date of purchase and keep in a safe place for future reference.

## HOW TO USE THIS MANUAL

This manual contains the following sections:

- How to Use This Manual
- Maintenance
- Parts List

The HOW TO USE THIS MANUAL section will tell you how to find important information for ordering correct repair parts.

Parts may be ordered from authorized dealers. When placing an order for parts, the machine model and machine serial number are important. Refer to the MACHINE DATA box which is filled out during the installation of your machine. The MACHINE DATA box is located on the inside of the front cover of this manual.

Model: \_\_\_\_\_  
 Date of Purchase: \_\_\_\_\_  
 Serial Number: \_\_\_\_\_  
 Dealer: \_\_\_\_\_  
 Address: \_\_\_\_\_  
 Phone Number: \_\_\_\_\_  
 Sales Representative: \_\_\_\_\_

The model and serial numbers will be found on a decal attached to the pressure washer.

The SAFETY section contains important information regarding hazardous or unsafe practices of the machine. Levels of hazards are identified that could result in product damage, personal injury, or severe injury resulting in death.

The OPERATIONS section is to familiarize the operator with the operation and function of the machine.

The MAINTENANCE section contains preventive maintenance to keep the machine and its components in good working condition. They are listed in this general order:

- Troubleshooting

The PARTS LIST section contains assembled parts illustrations and corresponding parts list. The parts lists include a number of columns of information:

- **REF** – column refers to the reference number on the parts illustration.
- **PART NO.** – column lists the part number for the part.
- **QTY** – column lists the quantity of the part used in that area of the machine.
- **DESCRIPTION** – column is a brief description of the part.
- **NOTES** – column for information not noted by the other columns.

*NOTE: If a service or option kit is installed on your machine, be sure to keep the KIT INSTRUCTIONS which came with the kit. It contains replacement parts numbers needed for ordering future parts.*

*NOTE: The manual part number is located on the lower right corner of the front cover.*

## TROUBLESHOOTING

PROBLEM	POSSIBLE CAUSE	SOLUTION
<b>LOW OPERATING PRESSURE</b>	Faulty pressure gauge	Test with 2nd gauge. If bad, install new Gauge.
	Insufficient water supply	Use larger garden hose; clean filter washer at water inlet.
	Old, worn or incorrect spray nozzle	Match nozzle number to machine and/or replace with new nozzle.
	Plumbing or hose leak	Check plumbing system for leaks. Re-tape leaks with thread sealant or teflon tape
	Faulty or mis-adjusted unloader valve (Where applicable)	Adjust unloader for proper pressure. Install repair kit when needed. Test PSI with unloader removed, taking pressure directly off the pump.
	Worn packing in pump	Install new packing kit.
	Fouled or dirty inlet or discharge valves in pump	Clean inlet and discharge valves.
	Worn inlet or discharge valves	Replace with valve kit.
	Obstruction in spray nozzle	Remove obstruction.
	Low power supply	Check voltage of building and compare with requirements. Obtain a different power source.
<b>BURNER LIGHT WILL NOT LIGHT</b>	Little or no fuel	Fill tank with fuel.
	Improper fuel or water in fuel	Drain fuel tank and fill with proper fuel.
	Plugged fuel filter	Replace as needed.
	Misadjusted burner air bands	Readjust air bands for clean burn.
	Little or no fuel pressure from fuel pump	Increase fuel pressure to specifications and/or replace fuel pump.
	Faulty burner transformer	Test transformer for proper arc between contacts. Replace as needed.
	Disconnected or short in electrical wiring	All wire contacts should be clean and tight. No breaks in wire.
	Burner motor thermal protector tripped	If tripped, check voltage, connections, and extensions for cause. Check fuel pump shaft rotation for binding causing motor to over-heat.
	Flex-coupling slipping on fuel pump shaft or burner motor shaft	Replace if needed.
	ON-OFF Switch defective	Check continuity through burner switch.
	Heavy sooting on coil and burner, can cause interruption of air flow and shorting of electrodes	Clean as required.
Improper electrode setting	Clean and test according to diagram in Operators Manual.	

## TROUBLESHOOTING

PROBLEM	POSSIBLE CAUSE	SOLUTION
<b>BURNER LIGHT WILL NOT LIGHT</b>	Fuel not reaching combustion chamber	Check fuel pump for proper flow. Check solenoid flow switch on machines with spray gun control, for proper on-off fuel flow control.
	Clogged burner nozzle	Replace.
	Water not flowing through flow switch	Open spray gun to allow water to flow.
	Flow switch malfunction	Remove reed and test for continuity. Replace if needed.
	Fuel solenoid malfunction	Replace if needed.
<b>UNIT SMOKES WHILE BURNER IS RUNNING OR SMOKES AT COLD-START WHEN BURNER IS OFF ADJUST FOR LOCAL ALTITUDE, HUMIDITY, AND AMBIENT AIR TEMPERATURE.</b>	Improper fuel or water in fuel	Drain tank and replace contaminated fuel.
	Improper air adjustment	Readjust air bands on burner assembly.
	Low fuel pressure < 140 PSI	Adjust fuel pump pressure to specifications.
	Air leaks in fuel lines	Check fuel lines for leaks or air bubbles. Tighten or replace as needed.
	Plugged or dirty burner nozzle	Replace.
	Faulty burner nozzle spray pattern	Replace nozzle.
	Heavy accumulation of soot on coils and burner assembly	Remove coils and burner assembly. Clean thoroughly.
	Misaligned electrode	Realign electrodes.
	Obstruction in smoke stack while burner is running	Check for insulation blockage or other foreign objects.
	High fuel pressure if above 140 PSI, when unit is cold started and burner is off	Reduce fuel pressure, but not below 140 PSI.
<b>LOW WATER TEMPERATURE</b>	Improper fuel or water in fuel	Drain fuel tank and replace with proper fuel.
	Low fuel pressure	Increase fuel pressure.
	Weak fuel pump	Check fuel pump pressure. Replace pump if needed.
	Fuel filter partially clogged	Replace if needed.
	Soot build up on coils	Clean coils with soot remover.
<b>WATER TEMPERATURE TOO HOT</b>	Incoming water to machine warm or hot	Lower incoming water temperature.
	Fuel pump pressure too high	Lower fuel pressure.
	Fuel pump defective	Replace fuel pump.
	Detergent line sucking air	Tighten all clamps. Check detergent line for holes.
	Defective high limit switch	Replace.
	Incorrect fuel nozzle size	See exploded view parts list for proper size.
	Insufficient water supplied	Check water GPM to machine.
	Restricted water flow	Check nozzle for proper size or obstruction.

## TROUBLESHOOTING

PROBLEM	POSSIBLE CAUSE	SOLUTION
<b>PUMP MOTOR STOPS AFTER A FEW MINUTES OF OPERATION OR STARTS SLOW</b>	Insufficient voltage	Use heavier drop cord and check voltage at receptacle. Check name plate for amperage draw.
	Plugged nozzle	Remove and clean nozzle. Turn on water pump, flush lines, replace nozzle.
	Wrong spray nozzle	See serial plate for minimum nozzle size.
	Thermal overload switch tripped	Allow motor to cool - then push reset button.
	Motor wet	Allow to dry.
	Short in electrical wiring	Wire contacts should be clean and tight. No breaks in wires.
	Coil liming up causing excessive pressure	See section on Preventative Maintenance.
	Water pump low or out of oil causing the pump to bind up	Fill to correct level.
<b>DETERGENT NOT DRAWING</b>	Air leak	Tighten all clamps. Check detergent lines for holes.
	Valve in the injector head may be blocked, dirty or damaged	Clean or replace valve in injector.
	Filter screen on detergent suction hose plugged	Clean or replace.
	Dried up detergent plugging injector	Disassemble and clean thoroughly.
	High viscosity of detergent	Dilute detergent to specifications.
	Hole in detergent line(s)	Repair hole.
	Variable pressure control handle set for high pressure	Turn variable pressure control handle to allow water to flow out of brass soap nozzle.
<b>BURNER MOTOR WILL NOT RUN</b>	Overload protector tripped	Push reset button.
	Fuel pump seized	Replace fuel pump.
	Burner fan loose or misaligned	Position correctly and tighten set screw.
	Defective control switch	Replace switch.
	Loose wire	Check and replace or tighten wiring.
	Defective burner motor	Replace motor.
<b>PUMP RUNNING NORMALLY BUT PRESSURE LOW ON INSTALLATION</b>	Pump sucking air	Check water supply and possibility of air seepage.
	Valves sticking	Check and clean or replace if necessary.
	Unloader valve seat faulty	Check and replace if necessary.
	Nozzle incorrectly sized	Check and replace if necessary (See serial plate for proper size).
	Worn piston packing	Check and replace if necessary.

## TROUBLESHOOTING

PROBLEM	POSSIBLE CAUSE	SOLUTION
<b>PUMP NOISY</b>	Broken or weak inlet or discharge valve springs	Check and clean if necessary.
	Excessive temperature of liquid	Reduce to below 140° F (60° C).
	Foreign matter in valves	Check and clean if necessary.
	Worn bearings	Check and replace if necessary.
<b>PRESENCE OF WATER IN OIL</b>	Oil seal worn	Check and replace if necessary
	High humidity in air	Check and change oil twice as often.
	Piston packing worn	Check and replace if necessary.
<b>WATER DRIPPING FROM UNDER PUMP</b>	Pump protector	Reduce inlet water pressure. Do not close trigger on spray gun for longer than 1-2 minutes.
	Piston packing worn	Check and replace if necessary.
	O.R. plunger retainer worn	Check and replace if necessary.
	Cracked ceramics	Check and replace if necessary.
<b>OIL DRIPPINGS</b>	Oil seal worn	Check and replace if necessary.
	Cracked manifold	Check and replace if necessary.



## PREVENTATIVE MAINTENANCE

This pressure washer was produced with the best available materials and quality craftsmanship. However, you as the owner have certain responsibilities for the correct care of the equipment. Attention to regular preventative maintenance procedures will assist in preserving the performance of your equipment. Contact your Landa, Inc. dealer for maintenance. Regular preventative maintenance will add many hours to the life of your pressure washer. Perform maintenance more often under severe conditions.

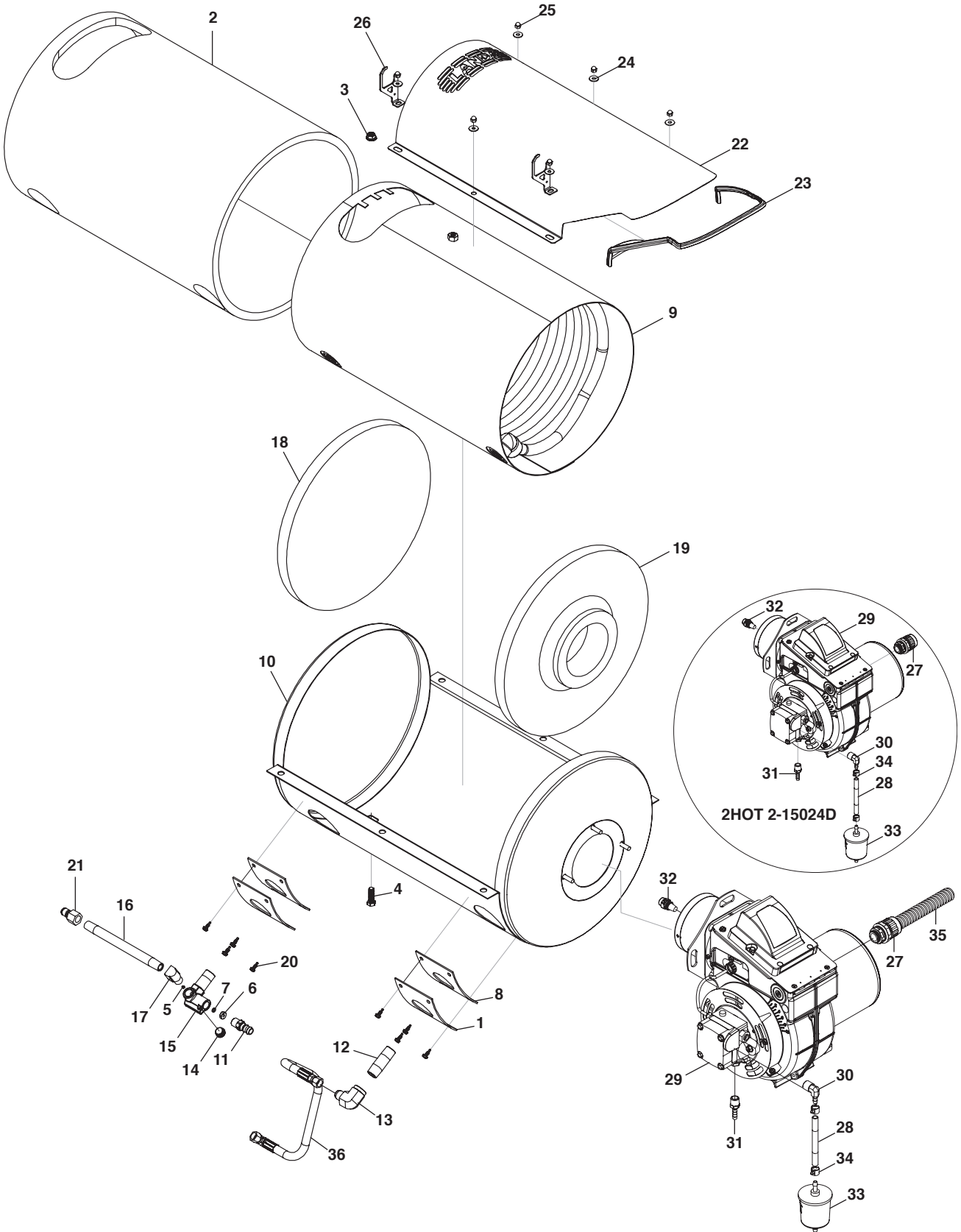
MAINTENANCE SCHEDULE		
Pump Oil SAE 10W-40 (Non foaming)	Inspect	Daily inspect the oil level
	Change	After first 50 hours, then every 500 hours or annually
Clean Burner Filter		Annually
Remove Burner Soot From Heating Coil		Annually
Check Belt Tension		Monthly
Descale Coil		Annually - (more often if required)
Replace High Pressure Nozzle		Every 6 months
Replace Quick Connects		Annually
Clean Water and Detergent Screen/Filter		Weekly
Replace HP Hose		If there is any sign of wear
Grease Motor		Every 10,000 hours
Check Burner Nozzles		Annually
Unloader Valve		Annually
Burner fuel pump gasket		After every fuel pump removal

## OIL CHANGE RECORD

Date Oil Changed Month/Day/Year	Estimated Operating Hours Since Last Oil Change

Date Oil Changed Month/Day/Year	Estimated Operating Hours Since Last Oil Change

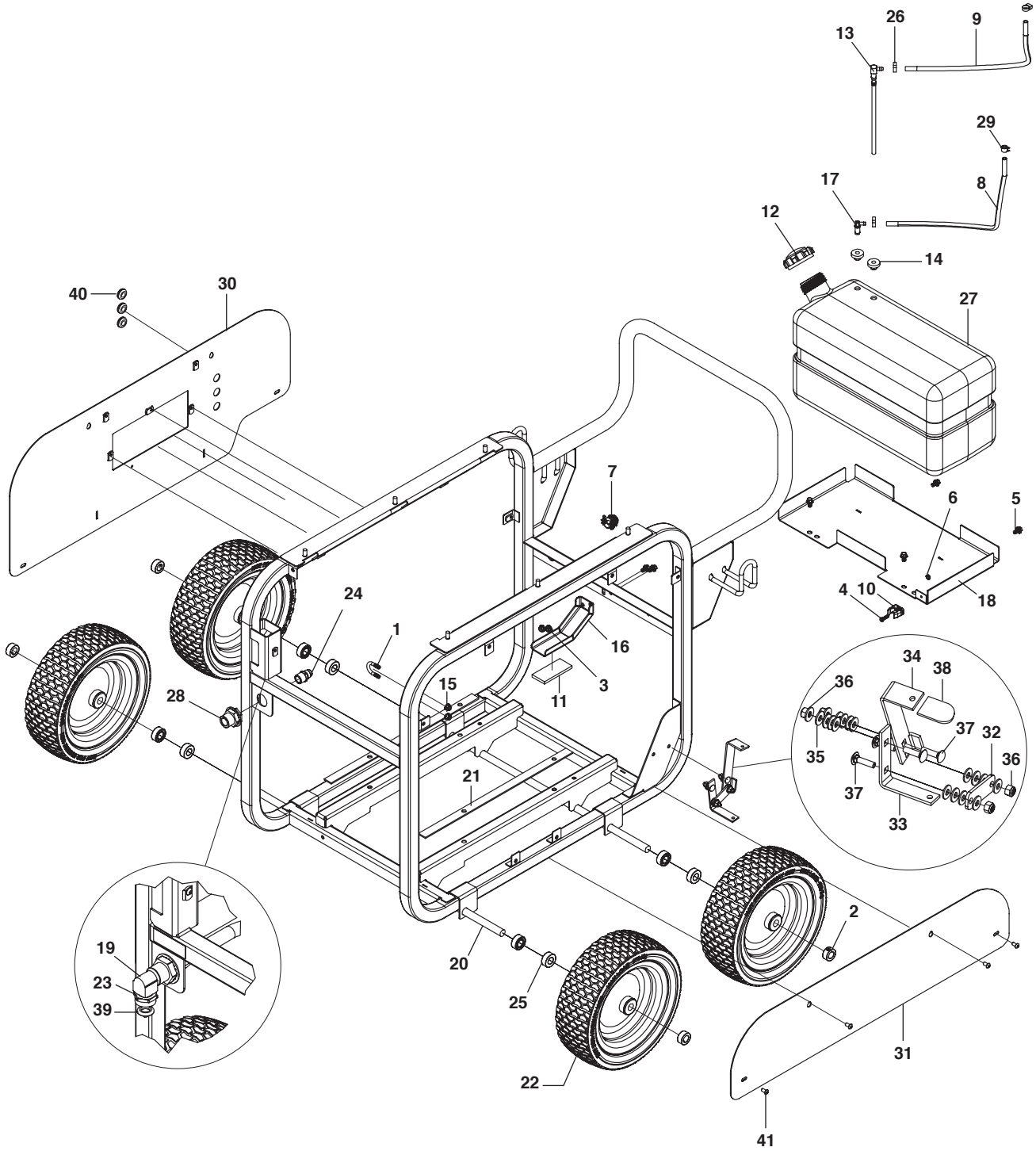
# BURNER / COIL ASSEMBLY



## BURNER / COIL ASSEMBLY PARTS LIST

ITEM	PART NO.	DESCRIPTION	QTY	ITEM	PART NO.	DESCRIPTION	QTY
1	9.803-132.0	Retainer Plate, Insulation PHW/VNG	2	33	8.709-152.0	Filter, Fuel, Disposable	1
2	9.802-896.0	Insulation, Blanket-No Foil, 24"x57"	1	34	6.390-126.0	Clamp Hose	2
3	9.802-781.0	Nut, 3/8" Nc, Whiz Loc Flange	1	35	9.802-448.0	Conduit, Wtr. Tight, Flex, 1/2 100'/Box	2.75 FT
4	9.802-722.0	Bolt, 3/8 X 1-1/4", NC HH	1	36	8.918-427.0	HOSE, 3/8" X 36", 2 WIRE, PRESSURE LO	1
5	9.196-012.0	Screw, 10-24 X 1/4" Hex Set	1				
6	9.184-030.0	Spacer, Rupture Disc	1				
7	9.151-014.0	Rupture Disk, 5000 Psi, Blue	1				
8	8.933-009.0	Gasket, Burner Plate	2				
9	8.925-222.0	Spare Coil Duro 14.5 Dia Sch 80 Mty	1				
10	8.914-946.0	Wrap, Bottom 16", Black	1				
11	8.757-487.0	Hose Barb Brass 1/2" Barb X 3/8"	1				
12	8.757-405.0	Nipple, 1/2" X 2-1/2", W/SLNT	1				
13	8.757-363.0	Elbow Steel 1/2 Jic (M) X 1/2 Nptf (F)	1				
14	8.757-241.0	Plug 3/8 Nptf Allen Counter Sunk W/SLNT	1				
15	8.757-240.0	Manifold Coil Outlet Discharge W/SLNT	1				
16	8.757-230.0	Nipple Steel 3/8 Nptf X 8 W/SLNT	1				
17	8.757-191.0	Elbow, 3/8" Street, Brass	1				
18	8.735-002.0	Disk, Fiber, 16"	1				
19	8.731-284.0	Disk, Fiber, (Donut), 16"	1				
20	8.718-941.0	Screw, 10-16 X 5/8 Tek	8				
21	8.707-144.0	Nipple, 3/8", Female, Ssteel	1				
22	8.930-802.0	Covering Coil SS Landa	1				
23	9.802-071.0	Trim, 750 B2 X 1/16. Black	33.6"				
24	7.312-289.0	Washer 8 -A2 Iso 7093-1	6				
25	9.802-787.0	*Nut, 5/16" "" "", Cap(799362)	6				
26	8.917-729.0	Bracket, Wand Holder, PHW_09 2					
27	8.716-547.0	Connector, 1/2" L/T, Straight, Black (2HOT 4-20024A, 4-20024G)	1				
	9.802-514.0	Strain Relief, LT, STR, 1/2 NPT,.23-.45D (2HOT 2-15024D)	1				
28	9.802-254.0	Hose 1/4" Push-On	2.10"				
29	8.759-454.0	Burner Sm 230v 60hz 24v F16 (2HOT 4-20024A, 4-20024G)	1				
	8.759-409.0	Burner Afg 120v 60HZ 120V F12 (2HOT 2-15024D)	1				
30	8.757-205.0	Hose Barb, 1/4" Barb X 1/4" M-NPTF, 90°	1				
31	8.757-199.0	Hose Barb, 1/4" Barb X 1/4" M-NPTF, Brass	1				
32	8.755-610.0	Fuel Nozzle, 1.75 X 80AZ (2HOT 4-20024A, 4-20024G)	1				
	8.754-890.0	Fuel Nozzle, 1.00 X 90AZ (2HOT 2-15024D)	1				

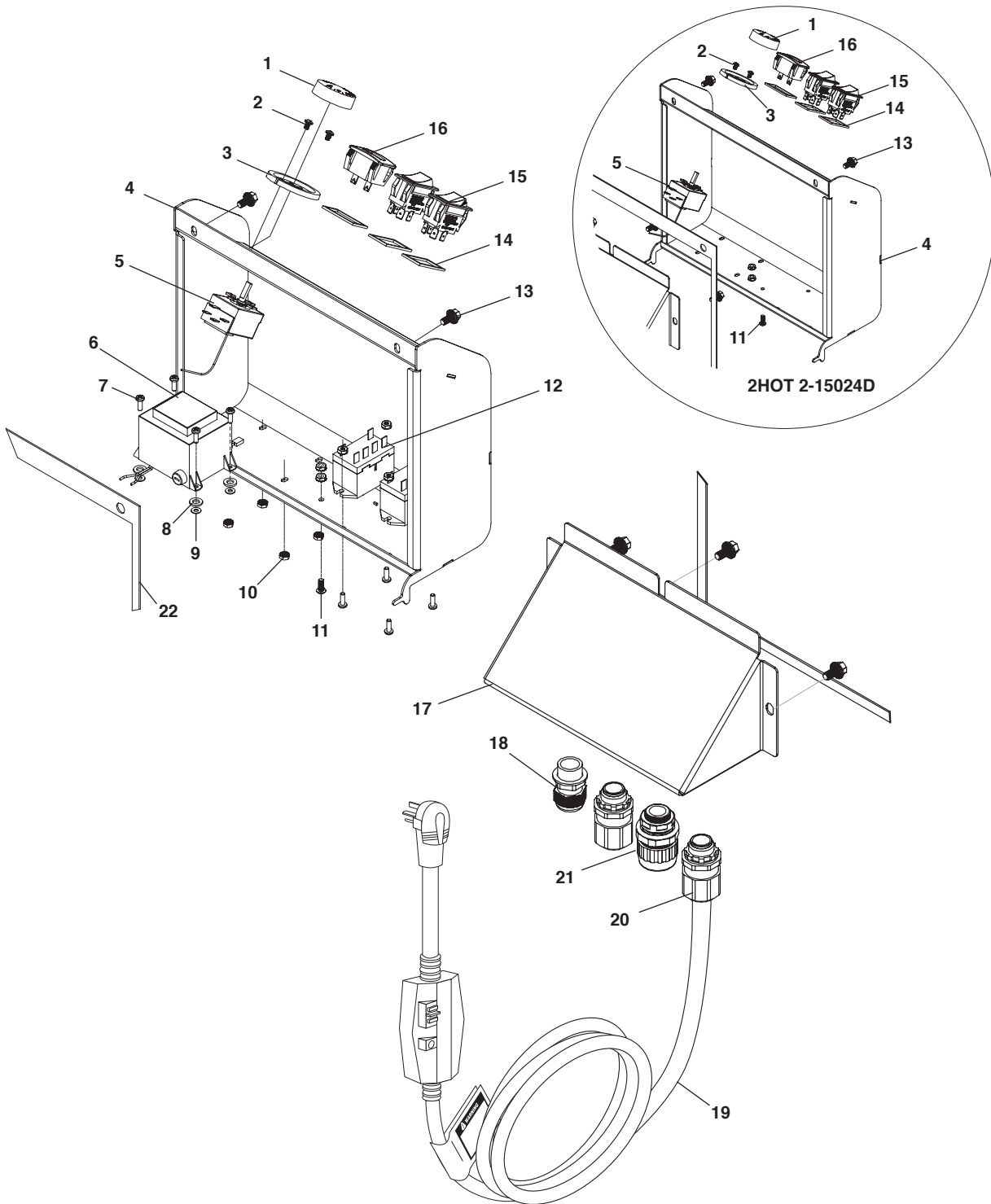
# CHASSIS ASSEMBLY - EXPLODED VIEW



## CHASSIS ASSEMBLY PARTS LIST

ITEM	PART NO.	DESCRIPTION	QTY
1	9.804-373.0	U-Bolt, 1/4"-20ms Plates	1
2	9.802-782.0	Collar, 5/8" Bore Shaft 3010	4
3	9.802-775.0	Nut, 1/4" Flange, Zn	2
4	9.802-771.0	Screw, 10/32" X 3/4", Bh Soc Cs	1
5	9.802-754.0	Screw, 1/4" X 1/2" Nc, Whiz Loc Flange	6
6	9.802-695.0	Nut, 10/32" Keps	1
7	9.802-519.0	Strain Relief, 1/2" Metal, Two Screw	1
8	9.802-254.0	Hose 1/4" Push-On	19.75"
9	9.802-254.0	Hose 1/4" Push-On	17.75"
10	9.802-203.0	Clamp Plastic Routing 1/2"	1
11	9.802-193.0	Gasket, Neoprene, Sc41-W/Psa, Per Ft.	3.75"
12	9.802-089.0	Cap, Fuel, Plastic H60-Av1	1
13	9.802-055.0	Diptube Assy, Plastic, 9.125"	1
14	9.802-053.0	Fuel Line Rubber Bushing	2
15	9.197-010.0	1/4-20" Nylon Insert Lock Nut With Flange	2
16	8.929-975.0	Bracket Diesel Tank Painted	1
17	8.758-150.0	Elbow 1/4" Fuel Tank Plastic	1
18	8.929-934.0	Support Tank Diesel Painted	1
19	8.757-342.0	Elbow, 1/2" Street, Brass	1
20	8.918-837.0	Axle, Round Ms Solid 5/8" X 30"	2
21	8.759-481.0	Slider Bar	2
22	8.758-460.0	Wheel 12 In. Rim Steel	4
23	8.757-203.0	Swivel, 1/2" M-NPTF x 3/4" GHF	1
24	8.757-200.0	Adapter Brass 1/2 Sae (M) X 1/2 Nptf (M)	1
25	8.751-374.0	Spacer 5/8 X 1,25 Black	8
26	8.750-933.0	Hose Band Clamp Hose Id 1/8" - 5/16"	3
27	8.750-186.0	Fuel Tank, 5 Gal, Plastic, Yellow, Horiz	1
28	8.707-000.0	Connector, 1/2" Anchor	1
29	6.390-126.0	Clamp Hose 0.46 - 0.54 St	1
30	8.929-954.0	Panel Side Cover Right Painted 5 HP	1
31	8.929-952.0	Panel Side Cover Left Painted 5 HP	1
32	9.802-997.0	Leverage	1
33	9.802-996.0	Bracket, Brake Pad	1
34	9.802-966.0	Grip, Hand	1
35	9.802-802.0	Washer, 1/4" Flat Sae Zinc	18
36	9.802-773.0	Nut, 1/4-20 Esna Nc	4
37	9.802-705.0	Bolt, 1/4"-20 X 1" Carriage Zinc	4
38	9.804-608.0	Cap, Vinyl Flat (Yellow).125X1.0X1.875	1
39	9.804-016.0	Filter Screen Washer, Garden Hose/30mesh	1
40	9.802-064.0	Grommet, Rubber, Nozzle Holder	3
41	9.196-059.0	Button Head Screw, SS 1/4"-20 x 1/2"	12

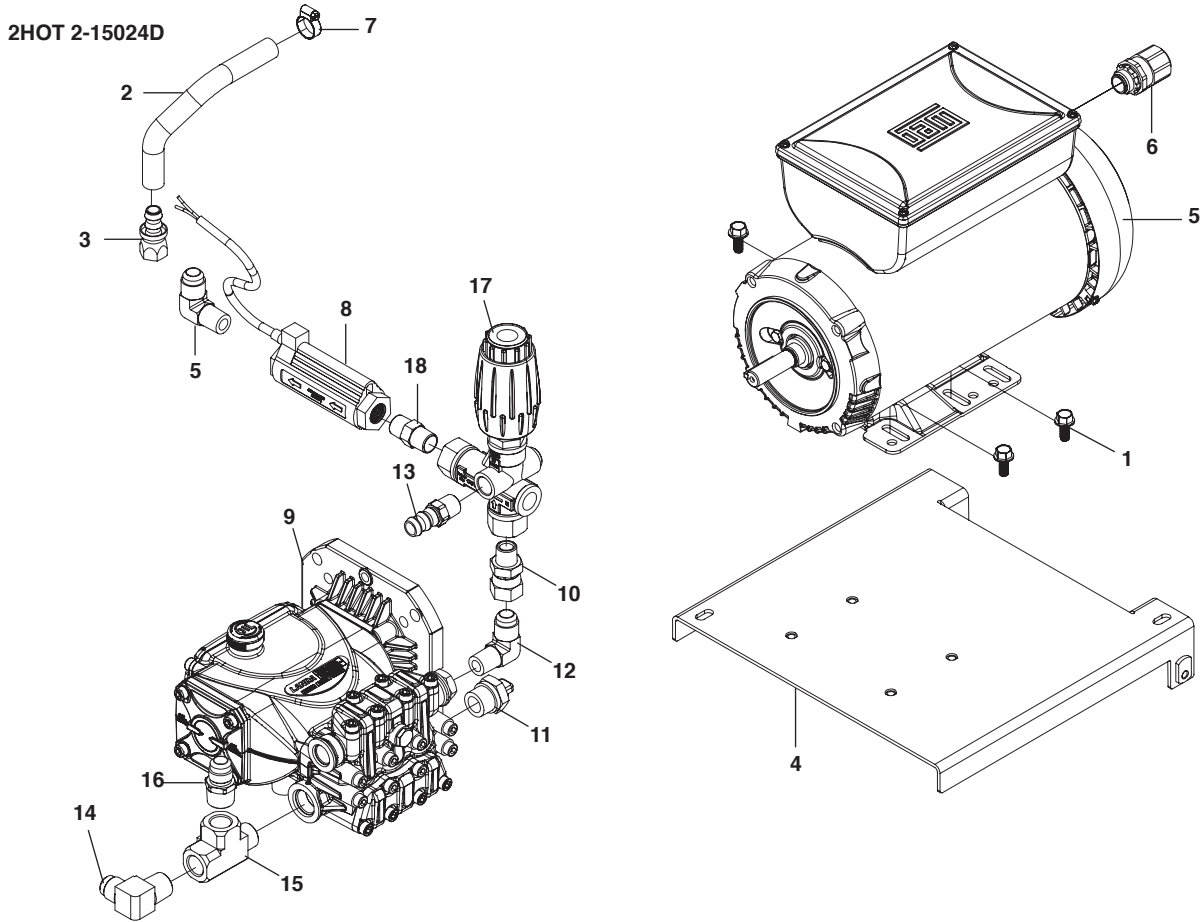
# CONTROL PANEL ASSEMBLY



## CONTROL PANEL ASSEMBLY PARTS LIST

ITEM	PART NO.	DESCRIPTION	QTY
1	8.750-097.0	Knob, Thermostat 120C/248F	1
2	8.718-779.0	Screw, 4mm X 6 Mm, Pan Head	2
3	8.712-190.0	Bezel, Plastic, Thermostat (915390)	1
4	8.929-921.0	Assembly Electrical Box Painted	1
5	8.750-095.0	Thermostat, 120C/240F, 2 Meter Capillary	1
6	6.622-337.0	Control Transformer	1
7	9.802-759.0	Screw 10/32 X 1/2 Blck	8
8	8.757-769.0	Washer 0.5 X 0.265 X 0.063 Nylon	4
9	8.627-899.0	Washer, 8 Flt	4
10	9.802-785.0	Nut, 8/32", Keps	8
11	9.802-759.0	Screw 10/32 X 1/2 Blck	1
12	8.716-086.0	Relay, 24V, DPST NO	2
13	9.802-754.0	Screw, 1/4" X 1/2" NC, Whiz Loc Flange	5
14	8.623-803.0	Seal Gasket For Carling Switch	3
15	8.716-054.0	Switch, Rocker, 20a/230v	2
16	9.802-283.0	Hour Meter, 24-240VAC 50/60HZ	1
17	8.929-926.0	Support Electrical Box Connectors Painted	1
18	9.802-514.0	Strain Relief, LT, STR, 1/2 NPT,.23-.45D	1
19	9.802-430.0	GFCI, 240V 1PH 30A, 36' 10-3 CORD (2HOT 4-20024A, 4-20024G)	1
	9.802-431.0	GFCI, 125V 20A, 36' 12-3 CORD (2HOT 2-15024D)	1
20	8.752-969.0	Strain Relief,LT,STR, 1/2npt 0.39-0.75id	2
21	8.716-547.0	Connector, 1/2" L/T, Straight, Black (2HOT 4-20024A, 4-20024G)	1
	9.802-514.0	Strain Relief, LT, STR, 1/2 NPT,.23-.45D (2HOT 2-15024D)	1
22	8.759-482.0	Electric Box gasket	1

## MOTOR PUMP DIRECT DRIVE ASSEMBLY



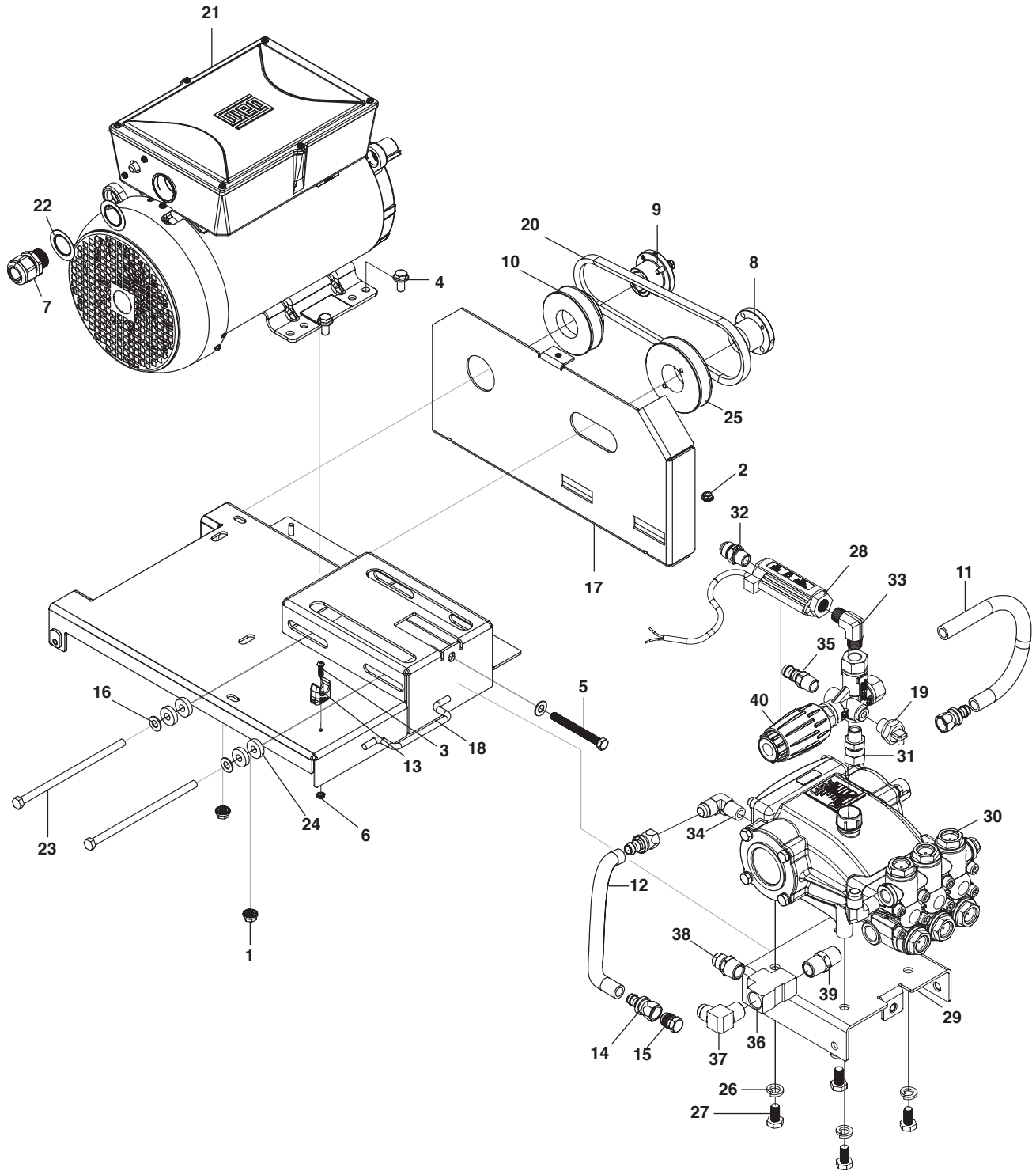
### MOTOR PUMP DIRECT DRIVE ASSEMBLY PARTS LIST

ITEM	PART NO.	DESCRIPTION	QTY
1	9.803-551.0	Screw, 5/16" X 3/4" Whiz Loc Flange	4
2	9.802-259.0	Hose, 1/2" Push-On	9.00"
3	9.802-151.0	Swivel, 1/2" Barb X 1/2" Jic, Fem/Brass	1
4	8.929-945.0	Plate Motor Painted 2 Hp	1
5	8.759-045.0	Motor 2hp 1ph 115/230v F3 1725rpm 56c	1
6	8.752-969.0	Strain Relief, Lt, Str, 1/2npt 0.39-0.75id	1
7	8.623-315.0	Clamp, 3/8 Hose (D-Slot)	1
8	8.933-006.0	Switch, Flow Mv60	1
9	8.930-858.0	Pump Landa LH2126S 2.1@2600 1700 RPM	1
10	8.757-656.0	Swivel Steel 1/2 Jic (F) X 3/8 Nptf (M)	1
11	8.757-549.0	Pump Protector 1/2 140°	1
12	8.757-509.0	Elbow Steel 1/2 Sae (M) X 3/8 Nptf (M)	2
13	8.757-487.0	Hose Barb Brass 1/2" Barb X 3/8"	1
14	8.757-391.0	Elbow Brass 1/2 Sae (M) X 1/2 Nptf (M)	1
15	8.757-257.0	Tee, Street 1/2"	1
16	8.757-200.0	Adapter Brass 1/2 Sae (M) X 1/2 Nptf (M)	1
17	8.750-299.0	Unloader, Vrt3, 8 Gpm @4500 Psi	1
18	8.705-974.0	Nipple, 3/8" Hex Steel-P/N-C3069x6	1



# MOTOR PUMP BELT DRIVE ASSEMBLY

2HOT 4-20024A  
2HOT 4-20024G

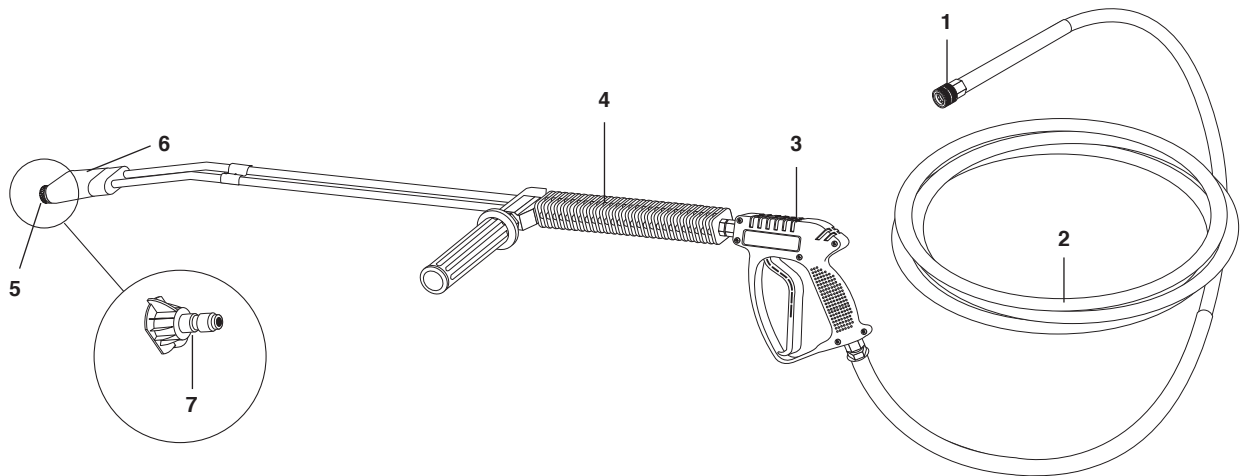


## MOTOR PUMP BELT DRIVE ASSEMBLY PARTS LIST

ITEM	PART NO.	DESCRIPTION	QTY
1	9.802-781.0	Nut, 3/8" Nc, Whiz Loc Flange	4
2	9.802-775.0	Nut, 1/4" Flange, Zn	2
3	9.802-771.0	Screw, 10/32" X 3/4", Bh Soc Cs	1
4	9.802-767.0	Screw, 3/8" X 3/4" Nc, Whiz Loc Flange	4
5	9.802-733.0	Bolt, 3/8" X 3-1/2", Tap, Grade 2"	1
6	9.802-695.0	Nut, 10/32" Keps	1
7	9.802-518.0	Strain Relief, Lt, Str, 3/4 Npt .49-.71d	1
8	9.802-402.0	Bushing, H X 24mm	1
9	9.802-400.0	Bushing, H X 1-1/8	1
10	9.802-378.0	Pulley, Bk 34 H	1
11	9.802-259.0	Hose, 1/2" Push-On	16.5"
12	9.802-259.0	Hose, 1/2" Push-On	14.5"
13	9.802-203.0	Clamp Plastic Routing 1/2"	1
14	9.802-151.0	Swivel, 1/2" Barb X 1/2" Jic, Fem/Brass	3
15	9.802-126.0	Plug, 1/2" Jic Flare, 639F-8	1
16	9.198-004.0	3/8 Uss F/W Zinc	3
17	8.929-965.0	Belt Guard Cover Back Painted 5 Hp	1
18	8.929-958.0	Plate Pump Motor Painted Electrical 5 Hp	1
19	8.707-254.0	Pump Protector , 3/8" 145 Deg	1
20	8.759-480.0	Belt Bx25	1
21	8.759-048.0	Motor 5HP 1PH 230V F3 1755RPM 182/4T (2HOT 4-20024A)	1
	8.759-047.0	Motor 5HP 1PH 200V F3 1755RPM 182/4T (2HOT 4-20024G)	1
22	8.757-399.0	Washer, Reducing 1" X 3/4" Conduit	2
23	8.725-549.0	Bolt, 3/8" X 7-1/2" HH	2
24	8.719-047.0	Washer, Nylon, .390 ID X 1 OD X .25 THK	4
25	8.715-566.0	Pulley, Bk 40 H	1
26	9.802-816.0	Washer, 7/16", Split Ring Lock, 780481	4
27	9.802-744.0	Bolt, 10mm X 20mm, Hh Zinc	4
28	8.933-006.0	Switch, Flow Mv60	1
29	8.929-970.0	Slider Pump Painted	1
30	8.929-962.0	Pump Landa LM3840R.3 3.8@4000 1740 RPM	1
31	8.757-656.0	Swivel Steel 1/2 Jic (F) X 3/8 Nptf (M)	1
32	8.757-655.0	Adapter Steel 1/2 Jic (M) X 3/8 Nptf (M)	1
33	8.757-511.0	Elbow, 3/8", Steel	1
34	8.757-509.0	Elbow Steel 1/2 Sae (M) X 3/8 Nptf (M)	2
35	8.757-487.0	Hose Barb Brass 1/2" Barb X 3/8"	1
36	8.757-485.0	Tee, 1/2", Brass	1
37	8.757-391.0	Elbow Brass 1/2 Sae (M) X 1/2 Nptf (M)	1
38	8.757-200.0	Adapter Brass 1/2 Sae (M) X 1/2 Nptf (M)	1
39	8.757-196.0	Nipple, 1/2" Hex, Brass	1
40	8.750-299.0	Unloader, Vrt3, 8 Gpm @4500 Psi	1

# HOSE & SPRAY GUN ASSEMBLY

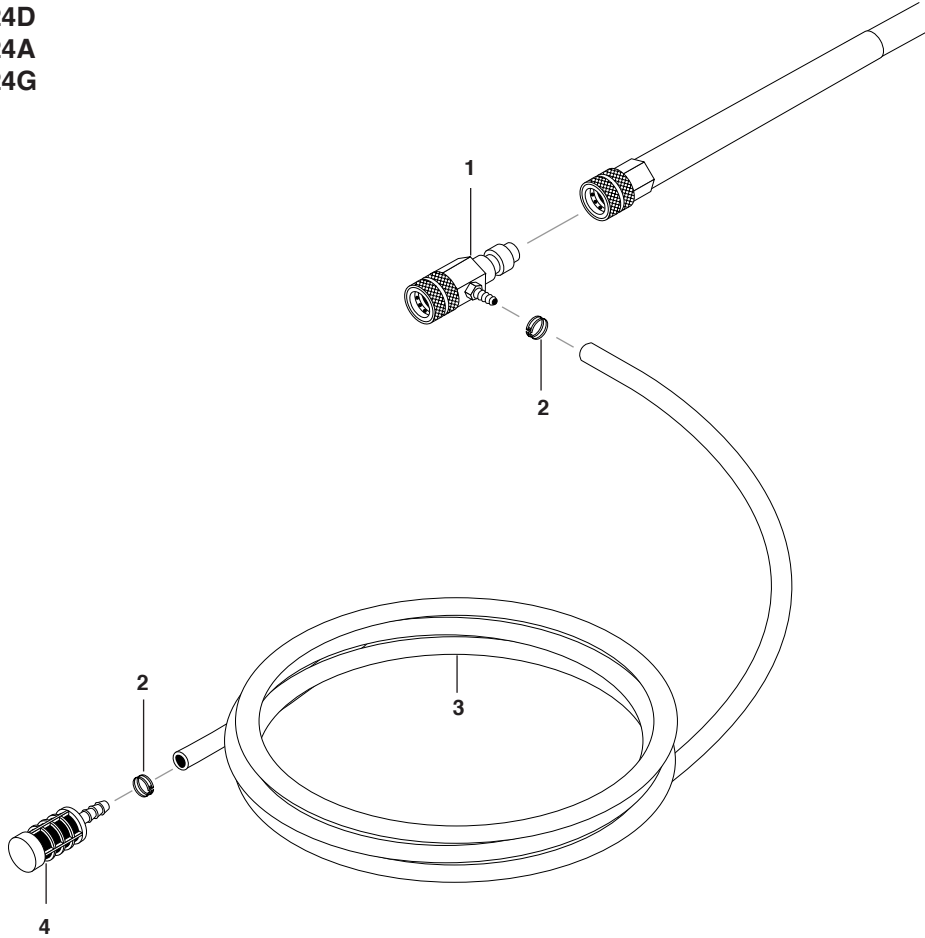
2HOT 2-15024D  
 2HOT 4-20024A  
 2HOT 4-20024G  
 9.802-222.0 Wand, Vp W/Coupler & Nozzle



ITEM	PART NO.	DESCRIPTION	QTY
1	8.707-144.0	Nipple, 3/8", Female, Ssteel	1
	9.802-100.0	▲ Quick Coupler O-Ring Large	1
2	8.925-129.0	Hose, 3/8" X 50' 1W 4000PSI SW X SO	1
3	8.751-234.0	Gun, Landa, L1050	1
4	9.802-222.0	Wand, VP, QC	1
	9.803-267.0	Repair Kit, AR, SS, Seat	1
5	9.802-165.0	Coupler, 1/4" Male	1
	9.802-096.0	▲ Quick Coupler O-Ring Small	1
6	9.802-286.0	Brass Soap Nozzle	1
7	8.712-333.0	Nozzle, SAQCMEG, 1503, Yellow (2HOT 2-15024D)	1
	8.712-334.0	Nozzle, SAQCMEG 2503, Green (2HOT 2-15024D)	1
	8.712-335.0	Nozzle, SAQCMEG 4003, White (2HOT 2-15024D)	1
	8.712-354.0	Nozzle, SAQCMEG, 1505, Yellow (2HOT 4-20024A, 4-20024G)	1
	8.712-355.0	Nozzle, SAQCMEG 2505, Green (2HOT 4-20024A, 4-20024G)	1
	8.712-356.0	Nozzle, SAQCMEG 4005, White (2HOT 4-20024A, 4-20024G)	1

## DOWNSTREAM INJECTOR ASSEMBLY

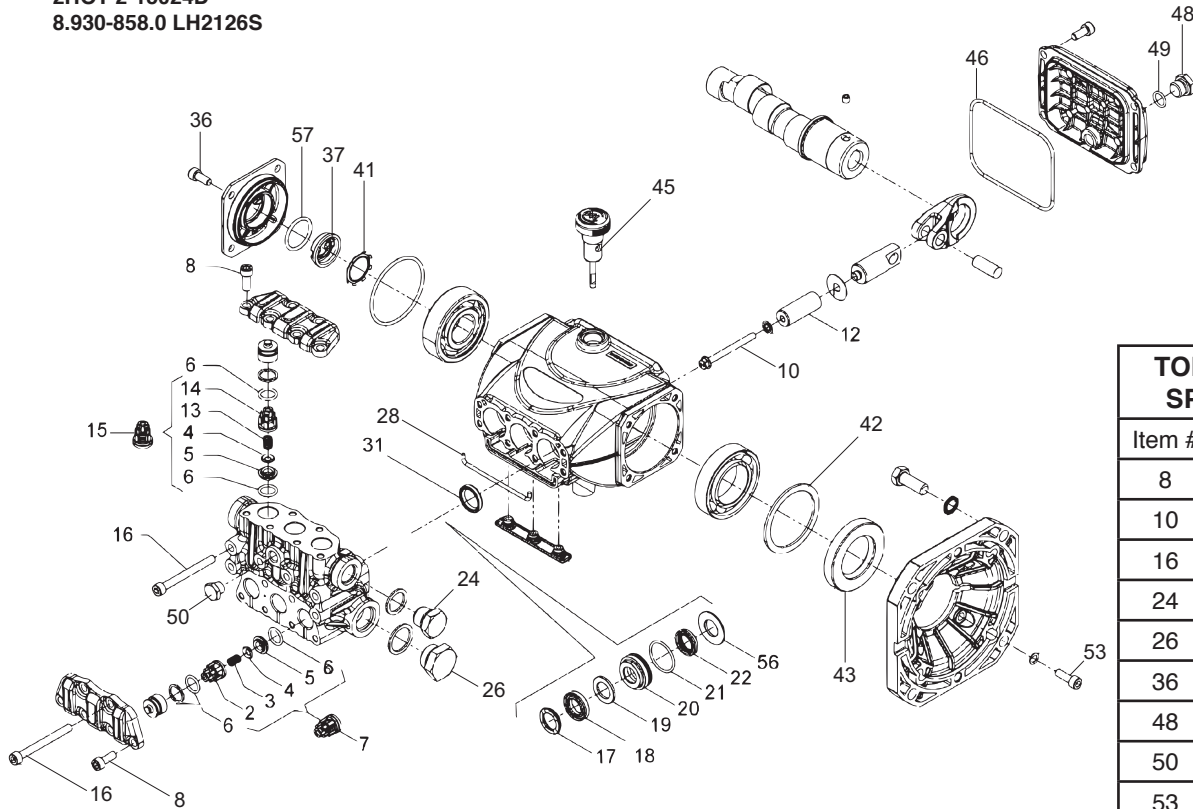
2HOT 2-15024D  
 2HOT 4-20024A  
 2HOT 4-20024G



ITEM	PART NO.	DESCRIPTION	QTY
1	8.756-796.0	Injector, Chemical, Non ADJ 0.070(1.8MM) (2HOT 2-15024D)	1
	9.802-216.0	Injector, Chemical, Non Adjust, .083 (2HOT 4-20024A, 4-20024G)	1
2	8.740-345.0	Clamp, Hose, UNI .46 - .54	2
3	9.802-251.0	Tube, 1/4" x 1/2", Clear Vinyl	6 ft.
4	8.707-057.0	Strainer, 1/4", Hose Barb	1

# LH2126S PUMP EXPLODED VIEW

2HOT 2-15024D  
8.930-858.0 LH2126S



TORQUE SPECS	
Item #	Ft.-lbs
8	8.9
10	4.4
16	8.9
24	30
26	30
36	7.4
48	14.8
50	9.6
53	7.3

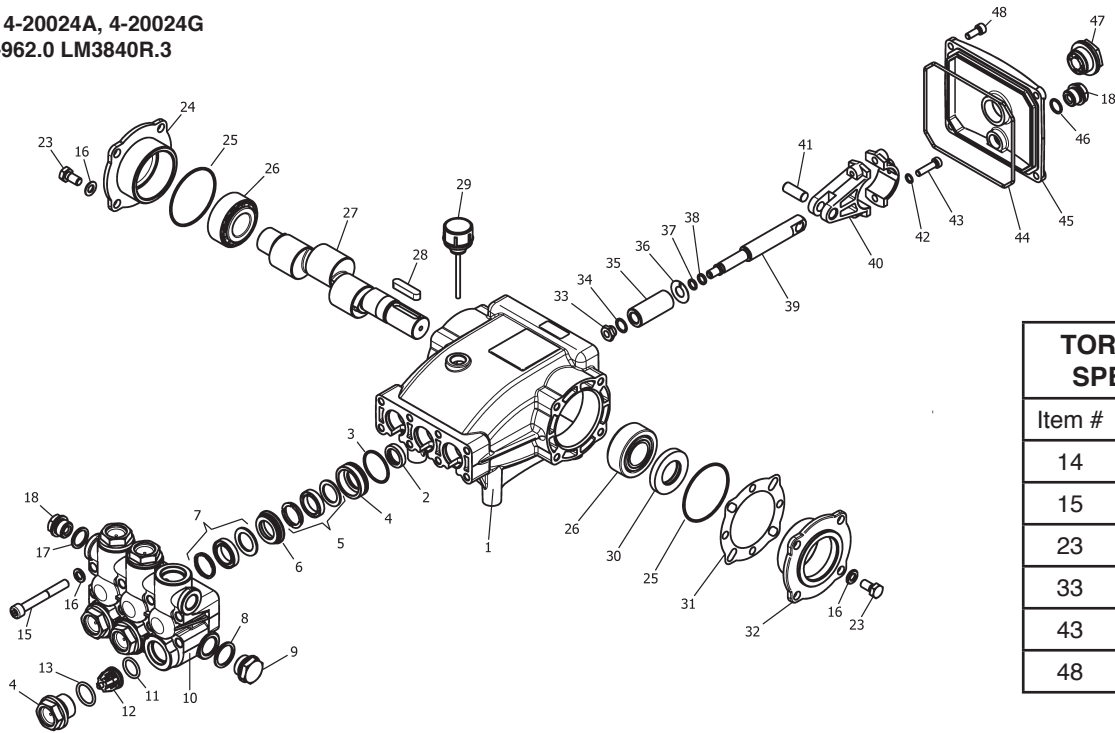
## LANDA LH PUMP PARTS LIST

ITEM	PART NO.	DESCRIPTION	QTY	ITEM	PART NO.	DESCRIPTION	QTY
2	See Kits Below	Inlet Valve Guide	3	19	See Kits Below	Anti-ext. Ring, Ø15x24x2	3
3	See Kits Below	Spring, Ø 6x12	3	20	See Kits Below	Support Ring, Ø 15	3
4	See Kits Below	Valve, Spherical	6	21	See Kits Below	O-ring, Ø25.12x1.78	3
5	See Kits Below	Valve Seat	6	22	See Kits Below	Packing, Ø15x22x5, LP	3
6	See Kits Below	O-ring, Ø12x2	6	28	8.759-088.0	Gasket Ø 3X 85	1
7	See Kits Below	Valve Assembly	3	31	See Kits Below	Oil Seal, Ø 18x24x4	3
8	8.759-086.0	Screw M6X16	10	37	8.759-089.0	Oil Level Indicator	1
12	8.759-010.0	Replacement Plunger Ø 15x38.5 53040009	3	41	8.759-090.0	O-ring Ø56.82X2.62	1
13	See Kits Below	Spring, Ø 6.2x10.4	3	42	8.759-091.0	Spacer	1
14	See Kits Below	Outlet Valve Cage Guide	3	43	8.759-092.0	Stop Ring Ø35X62X10	1
15	See Kits Below	Complete Outlet Valve	3	45	8.759-093.0	Oil Dipstick G 3/8"X45	1
16	8.759-087.0	Screw M6X60	8	46	8.759-094.0	O-ring Ø88.57X2.62	1
17	See Kits Below	Head Ring, Ø 15	3	49	8.759-095.0	O-ring Ø 10.82X1.78	1
18	See Kits Below	Packing, Ø15x24x5.4/3.4HP	3	56	See Kits Below	Support Ring, Ø 15	3
				57	8.759-096.0	O-ring Ø 25.07X2.62	1

REPAIR KIT NUMBER	8.759-011.0	8.759-012.0	8.759-013.0	8.759-014.0
ITEM NO'S INCLUDED IN KIT	2, 3, 4, 5, 6, 13, 14, (7), (15)	31	17, 18, 19, 21, 22	17, 18, 19, 20, 21, 22, 56
NUMBER OF ASSY'S IN KIT	6	3	3	1
NO. OF CYLINDERS KIT SERVICES	3	3	3	1

# LM PUMP EXPLODED VIEW - PUMP PARTS LIST

2HOT 4-20024A, 4-20024G  
8.929-962.0 LM3840R.3



TORQUE SPECS	
Item #	Ft.-lbs
14	75
15	18
23	6
33	6
43	6
48	6

ITEM	PART NO.	DESCRIPTION	QTY
1	8.751-216.0	Crankcase	1
2*	See Kits Below	Plunger Oil Seal	3
3*	See Kits Below	O-Ring, 1.78 X 31.47	3
4*	See Kits Below	Pressure Ring	3
5*	See Kits Below	U-Seal	6
6*	See Kits Below	Intermediate Ring	3
7*	See Kits Below	U-Seal	3
8	9.803-199.0	Washer, Copper	1
9	9.802-926.0	Plug, Brass 1/2	1
10	8.751-218.0	Manifold Head	1
11*	See Kits Below	O-Ring Ø2.62 x 17.13	6
12*	See Kits Below	Valve Assembly	6
13*	See Kits Below	O-Ring Ø2.62 x 20.29	6
14	9.802-928.0	Valve Plug	6
15	9.802-938.0	Manifold Stud Bolt	8
16	9.802-884.0	Washer	16
17	9.803-198.0	Copper Washer 3/8	1
18	9.802-925.0	Brass Plug 3/8	2
23	9.802-944.0	Hexagonal Screw	8
24	8.717-210.0	Closed Bearing Housing	1
25	9.803-192.0	O-Ring Ø1.78 x 60.05	2
26	8.933-011.0	Tapered Roller Bearing	2
27	8.751-222.0	Crankshaft	1
28	9.803-167.0	Crankshaft Key	1
29	9.802-921.0	Oil Dip Stick	1
30	9.803-140.0	Crankshaft Seal	1

ITEM	PART NO.	DESCRIPTION	QTY
31	9.803-178.0	Shim	2
32	8.717-209.0	Bearing Housing	1
33*	See Kits Below	Plunger Nut, M8	3
34*	See Kits Below	Copper Spacer	3
35*	See Kits Below	Plunger	3
36*	See Kits Below	Copper Spacer	3
37*	See Kits Below	O-Ring	3
38*	See Kits Below	Teflon Ring	3
39	8.751-225.0	Plunger Rod	3
40	9.803-158.0	Connecting Rod	3
41	8.751-228.0	Connecting Rod Pin	3
42	9.803-218.0	Spring Washer	6
43	9.803-238.0	Connecting Rod Screw	6
44	70-060009	O-Ring, Ø2.62 x 126.67	1
45	8.751-229.0	Crankcase Cover	1
46	9.803-197.0	O-Ring, Ø1.78 x 14	1
47	9.803-202.0	Sight Glass 3/4	1
48	9.802-939.0	Cover Screw	5

\* Available in kit (See below)

## LM PUMP EXPLODED VIEW - PUMP PARTS LIST

REPAIR KIT NUMBER	8.725-358.0	8.725-359.0	8.933-023.0	9.802-603.0	9.802-609.0
KIT DESCRIPTION	Plunger Seals 15 mm	Complete Seal Packing 15 mm	Plunger 15 mm	Complete Valve	Plunger Oil Seals
ITEM NUMBERS INCLUDED	3, 5, 7	3, 4, 5, 6, 7	33, 34, 35, 36, 37, 38	11, 12, 13	2
NO. OF CYLINDERS KIT WILL SERVICE	3	1	1	6	3

## BURNER SPECIFICATIONS

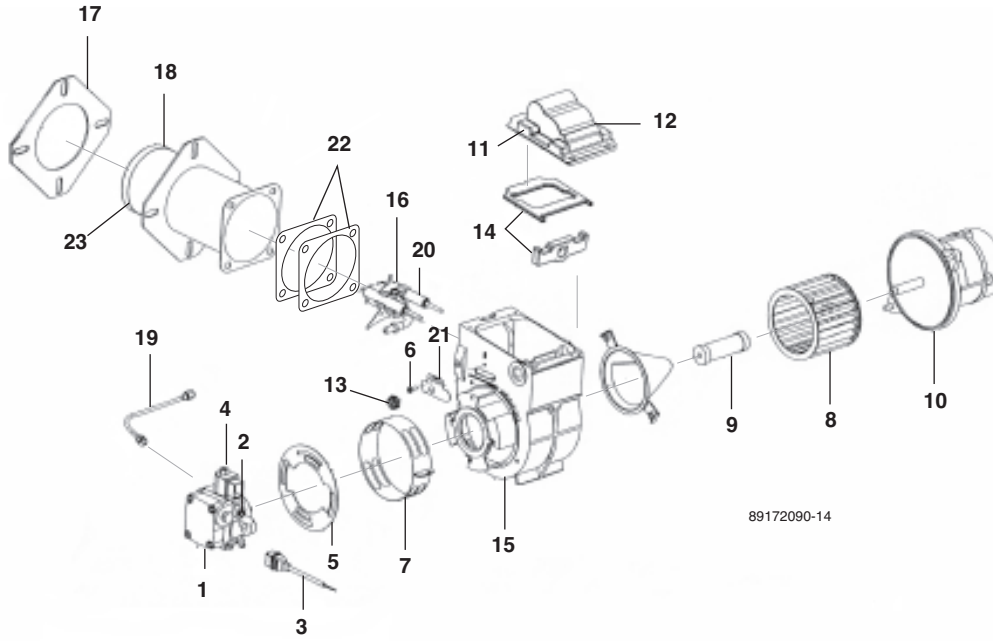
Model No.	Burner Assy No.	Fuel Nozzle	Igniter	Burner Motor	Fuel Pump	Solenoid Coil	Electrode
2HOT2-15024D	8.759-409.0	8.754-890.0	9.802-647.0	9.802-642.0	9.802-645.0	9.802-640.0	9.802-669.0
2HOT4-20024A	8.759-454.0	8.755-610.0	9.803-055.0	9.804-054.0	9.802-562.0	9.802-639.0	9.802-670.0
2HOT4-20024G	8.759-454.0	8.755-610.0	9.803-055.0	9.804-054.0	9.802-562.0	9.802-639.0	9.802-670.0

# BURNER EXPLODED VIEW

## Replacement Parts

For best performance specify genuine Beckett replacement parts

2HOT2-15024D  
8.759-409.0  
FUEL: DIESEL OR MAX 20% BIODIESEL



89172090-14

ITEM	PART NO.	DESCRIPTION	QTY
1	9.802-645.0	Fuel Pump w/120V Solenoid	1
	9.802-666.0	Strainer Kit W/Gasket	1
2	9.802-640.0	Solenoid Coil, 120V	1
3	9.802-643.0	Cordset	1
4	9.802-646.0	Fuel Solenoid Stem	1
5	8.701-077.0	Air Shutter	1
6	*	Escutcheon Plate Screw	1
7	9.804-061.0	Air Band, Beckett Afg Burner	1
8	9.802-649.0	Blower Wheel	1
9	9.802-648.0	Fan Coupling	1
10	9.802-642.0	Motor, 120v	1
11	9.802-647.0	Ignitor Assy, Complete, 120v	1
12	9.802-665.0	Ignitor Only, 120v Y	1
13	9.802-657.0	Spline Nut	1
14	9.802-662.0	Gasket Kit, Ignitor	1
15	9.802-671.0	Burner Housing	1
16	8.750-492.0	Gun Assembly Complete	1
17	9.802-651.0	Gasket, Burner Afg 120v	2
18	8.750-780.0	Air Cone, F12	1
19	9.802-667.0	Connector Tube, Assy, 8"	1
20	9.802-670.0	Electrode Kit	1

ITEM	PART NO.	DESCRIPTION	QTY
21	8.750-491.0	Escutcheon Plate	1
22	8.700-698.0	Gaskets	2
23*	8.754-890.0	Fuel Nozzle, 1.00 X 90AZ	1

\* Not Shown

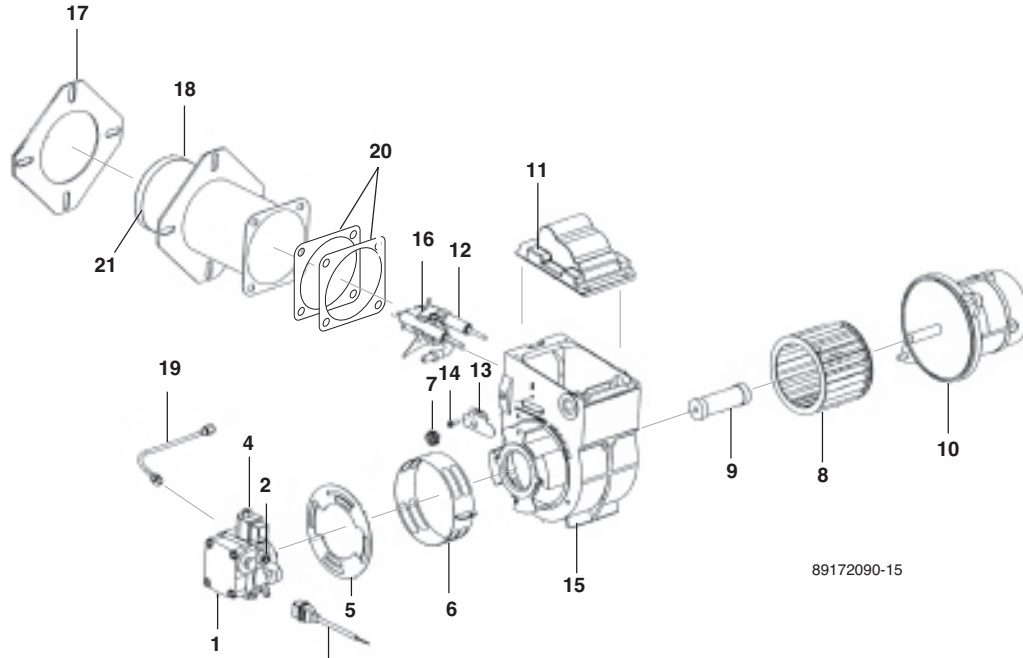


# BURNER EXPLODED VIEW

## Replacement Parts

*For best performance specify genuine Beckett replacement parts*

2HOT 4-20024A  
 2HOT 4-20024G  
 8.759-454.0  
 FUEL: DIESEL OR MAX 20% BIODIESEL



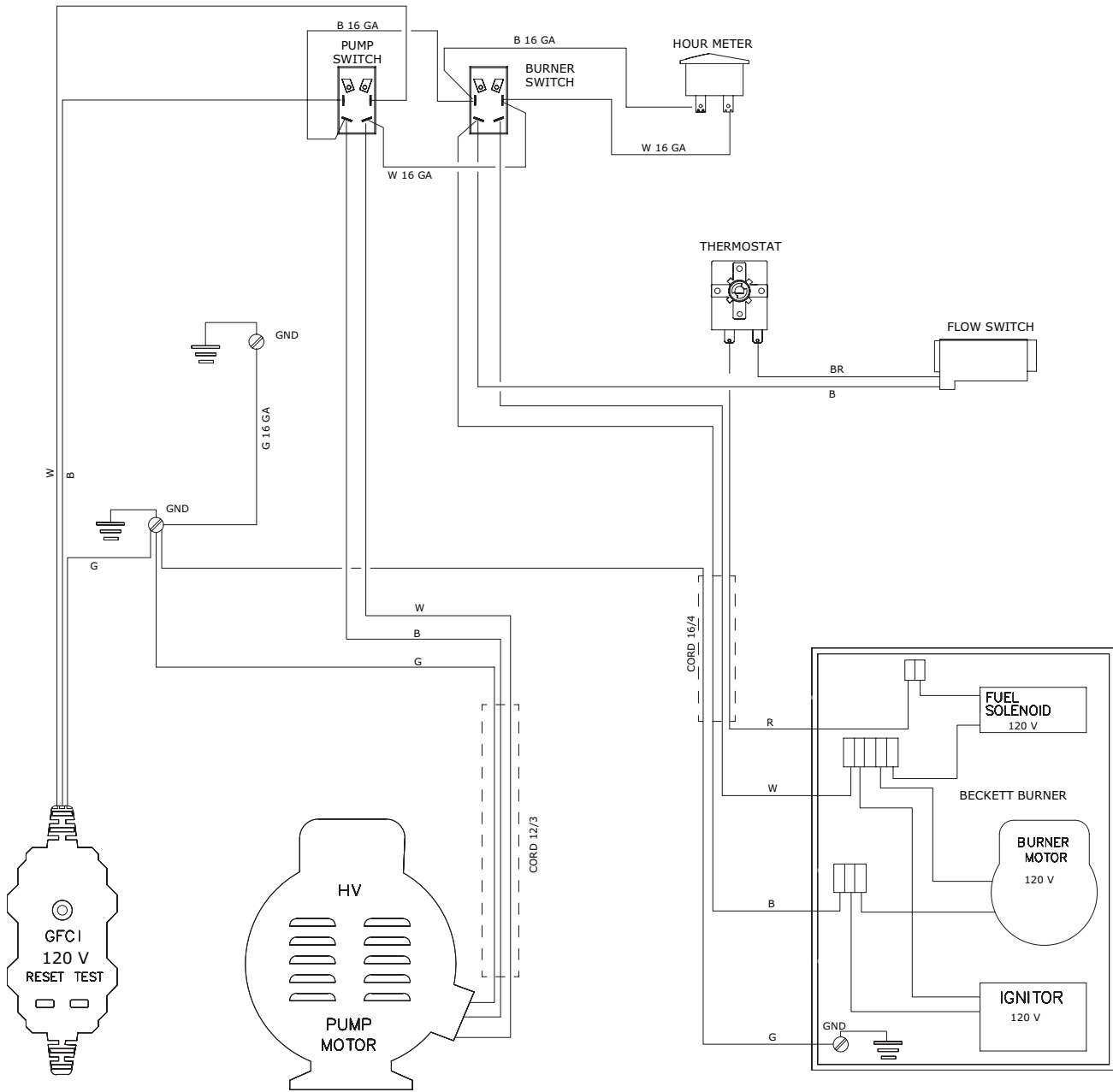
89172090-15

ITEM	PART NO.	DESCRIPTION	QTY
1	9.802-562.0	Fuel Pump W/24v Solenoid	1
	9.802-666.0	Strainer Kit W/Gasket	1
2	9.802-639.0	Solenoid Coil, 24v	1
3	9.802-643.0	Cordset	1
4	9.802-639.0	Coil Fuel Solenoid 12/24v	1
5	3932U	Air Shutter S 5 SLOT	1
	8.701-074.0	Air Band #3492 AFG ADC1	1
6	8.750-490.0	Air Band	1
7	9.802-657.0	Spline Nut	1
8	9.803-057.0	Blower Wheel	1
9	9.803-058.0	Fan Coupling	1
10	8.701-095.0	Burner Motor, 115v, 3450rpm, 1/5 Hp	1
	9.804-054.0	Motor, 230v 1/4 Hp	1
11	9.803-055.0	Transformer, 230v	1
12	9.802-670.0	Electrode Kit	1
13	8.750-491.0	Escutcheon Plate	1
14	*	Escutcheon Plate Screw	1
15	8.701-082.0	Burner Housing-'S' Series Rwb	1
16	8.750-493.0	Gun Assembly Complete	1
17	9.802-651.0	Burner Gasket	2
18	F16	CONE. AIR F16	1

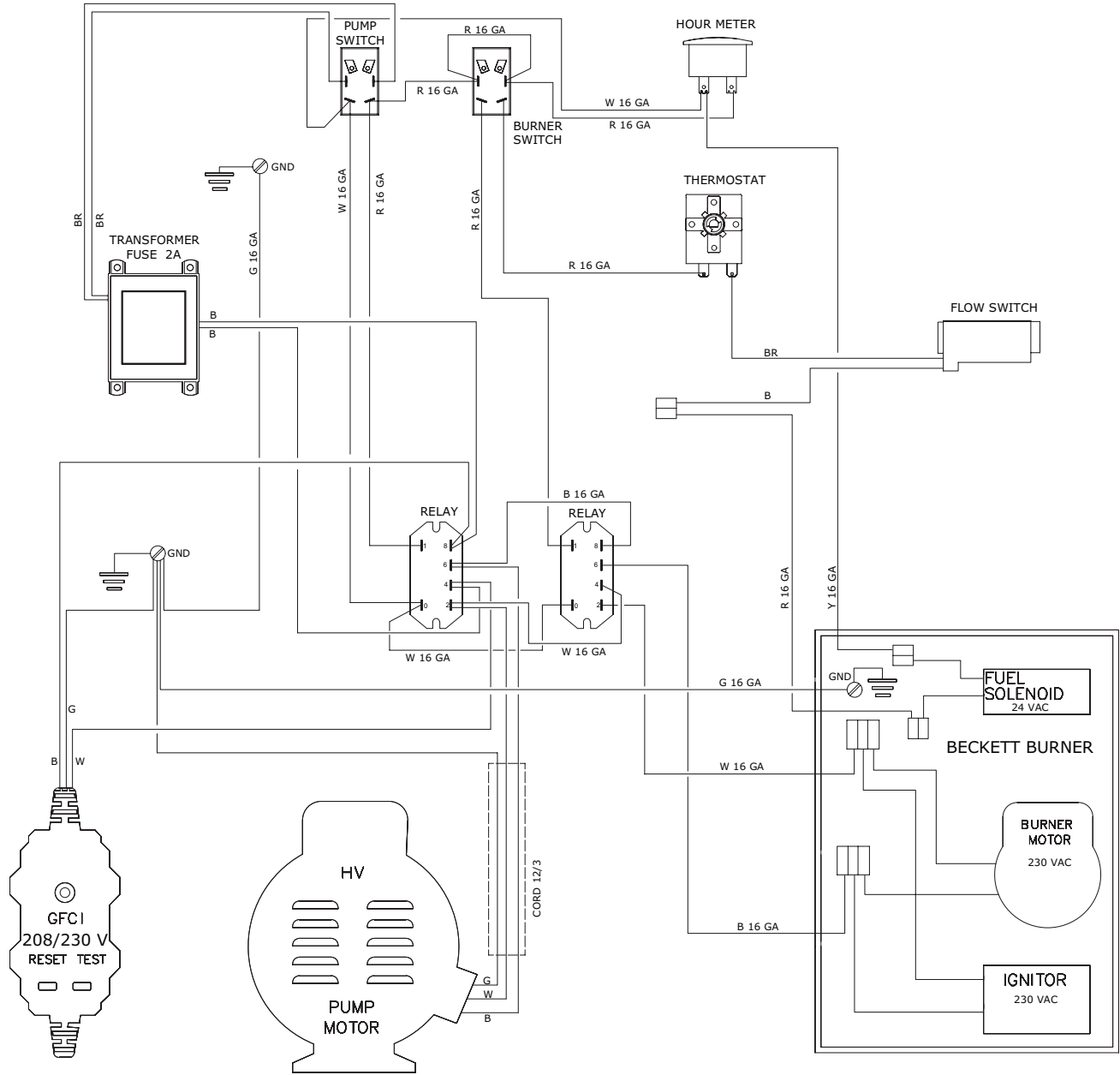
ITEM	PART NO.	DESCRIPTION	QTY
19	9.802-667.0	Connector Tube, Assy, 8"	1
20	8.700-698.0	Gaskets	2
21	8.755-610.0	Fuel Nozzle, 1.75 X 80AZ	1

\* Not Shown

# WIRING DIAGRAM FOR MODELS 2HOT2-13024D



# WIRING DIAGRAM FOR 2HOT4-20024A, 2HOT4-20024G



**LANDA<sup>®</sup>**

Form #9.808-354.0 • Printed in U.S.A.