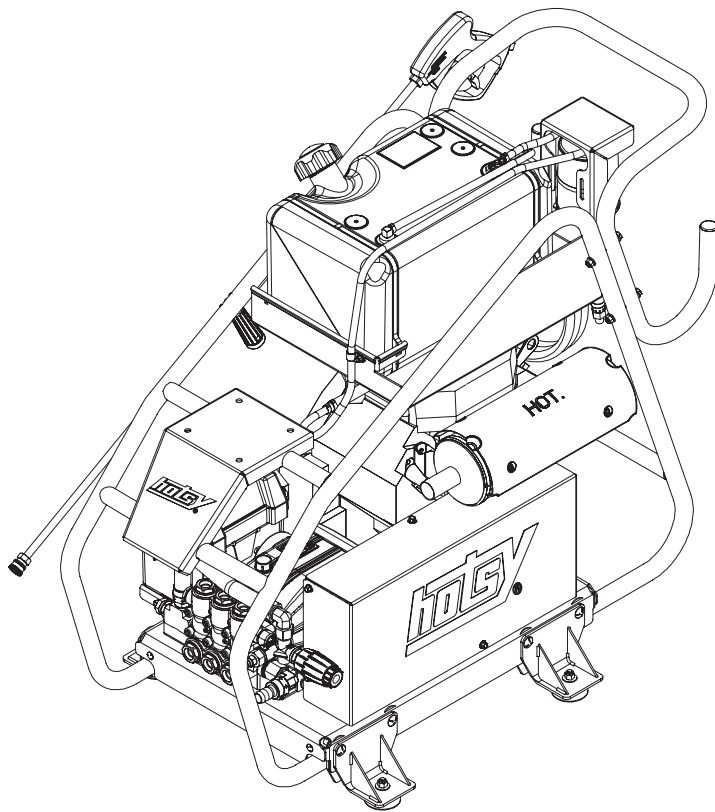


High Pressure Cleaner
Combustion engine - Cold Water



OPERATOR'S MANUAL

English..... 3
Español....33
Français....65



MODELS:

HHD 5/30 G
1.107-377.0

HHD 6/30 G
1.107-378.0

HHD 8/35 G
1.107-379.0

HHD 3.4/30 D
1.107-382.0

For the Hotsy Dealer nearest you,
consult our web page at
www.hotsy.com

SHOP PRESSURE WASHER PARTS
shoppressurewasherparts.com | (888) 269-0172



Important Safety Information	4 - 6
Component Identification	7
Assembly Instructions.....	8
Operating Instructions.....	9 - 10
Installation.....	10
Maintenance	11
Detergent and General Cleaning Techniques	12
Shut Down and Clean-Up	13
Storage	13
Preventive Maintenance (Models: HHD 5/30 G, HHD 6/30 G, HHD 8/35 G, HHD 3.4/30 D).....	14
Troubleshooting (Models: HHD 5/30 G, HHD 6/30 G, HHD 8/35 G, HHD 3.4/30 D).....	15 - 17
Oil Change Record	17
Spare Part List	18 - 32

Model Number _____

Serial Number _____

Date of Purchase _____

The model and serial numbers will be found on a decal attached to the pressure washer. You should record both serial number and date of purchase and keep in a safe place for future reference.

INTRODUCTION & IMPORTANT SAFETY INFORMATION

Thank you for purchasing this Pressure Washer.
 We reserve the right to make changes at any time without incurring any obligation.

Owner/User Responsibility:

The owner and/or user must have an understanding of the manufacturer's operating instructions and warnings before using this pressure washer. Warning information should be emphasized and understood. If the operator is not fluent in English, the manufacturer's instructions and warnings shall be read to and discussed with the operator in the operator's native language by the purchaser/owner, making sure that the operator comprehends its contents.

Owner and/or user must study and maintain for future reference the manufacturers' instructions.

The operator must know how to stop the machine quickly and understand the operation of all controls. Never permit anyone to operate the engine without proper instructions.

SAVE THESE INSTRUCTIONS


This manual should be considered a permanent part of the machine and should remain with it if machine is resold.

When ordering parts, please specify model and serial number. Use only identical replacement parts.

This machine is to be used only by trained operators.

IMPORTANT SAFETY INFORMATION

! WARNING



READ OPERATOR'S MANUAL THOROUGHLY PRIOR TO USE.

WARNING: To reduce the risk of injury, read operating instructions carefully before using.

1. Read owner's manual thoroughly. Failure to follow instructions could cause malfunction of the machine and result in death, serious bodily injury and/or property damage.
2. Know how to stop the machine and bleed pressure quickly. Be thoroughly familiar with the controls.
3. Stay alert — watch what you are doing.

! WARNING



KEEP WATER SPRAY AWAY FROM ELECTRICAL WIRING.

WARNING: Keep wand, hose, and water spray away from electric wiring or fatal electric shock may result.

4. All installations must comply with local codes. Contact your electrician, plumber, utility company or the selling distributor for specific details.

! WARNING



EAR PROTECTION MUST BE WORN

WARNING: This machine exceeds 85 db appropriate ear protection must be worn.

! WARNING



USE PROTECTIVE EYE WEAR AND CLOTHING WHEN OPERATING THIS EQUIPMENT.

WARNING: High pressure spray can cause paint chips or other particles to become airborne and fly at high speeds. To avoid personal injury, eye, hand and foot safety devices must be worn.

5. Eye, hand, and foot protection must be worn when using this equipment.

6. Keep operating area clear of all persons.

! WARNING




RISK OF EXPLOSION: OPERATE ONLY WHERE OPEN FLAME OR TORCH IS PERMITTED

WARNING: Flammable liquids can create fumes which can ignite, causing property damage or severe injury.

WARNING: Risk of explosion — Operate only where open flame or torch is permitted.

! WARNING



RISK OF FIRE. DO NOT ADD FUEL WHEN OPERATING MACHINE.

WARNING: Risk of fire — Do not add fuel when the product is operating or still hot.

WARNING: Do not use gasoline crankcase draining or oil containing gasoline, solvents or alcohol. Doing so will result in fire

and/or explosion.

WARNING: Risk of fire — Do not Spray flammable liquids.

IMPORTANT SAFETY INFORMATION

WARNING: This product contains chemicals known to the state of California to cause cancer and birth defects or other reproductive harm. Operation of this equipment may create sparks that can start fires around dry vegetation. A spark arrestor may be required. The operator should contact: Local fire agencies for laws or regulations relating to fire prevention requirements.

7. Allow engine to cool for 1-2 minutes before refueling. If any fuel is spilled, make sure the area is dry before testing the spark plug or starting the engine. (Fire and/or explosion may occur if this is not done.)

Gasoline engines on mobile or portable equipment shall be refueled:

- a. outdoors;
- b. with the engine on the equipment stopped;
- c. with no source of ignition within 10 feet of the dispensing point; and
- d. with an allowance made for expansion of the fuel should the equipment be exposed to a higher ambient temperature.

In an overfilling situation, additional precautions are necessary to ensure that the situation is handled in a safe manner.

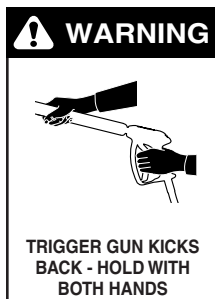
8. When in use, do not place machine near flammable objects as the engine is hot.
9. Do not store or use gasoline near this machine.



WARNING: Risk of injury. Hot surfaces can cause burns. Use only designated gripping areas of spray gun and wand. Do not place hands or feet on non-insulated areas of the pressure washer.

10. Transport/Repair with fuel tank EMPTY or with fuel shut-off OFF.

11. To reduce the risk of injury, close supervision is necessary when a machine is used near children. Do not allow children to operate the pressure washer. **This machine must be attended during operation.**



WARNING: Grip cleaning wand securely with both hands before starting. Failure to do this could result in injury from a whipping wand.

12. Never make adjustments on machine while in operation.
13. Be certain all quick coupler fittings are secured before using pressure washer.



WARNING: High pressure developed by these machines will cause personal injury or equipment damage. Keep clear of nozzle. Use caution when operating. Do not direct discharge stream at people, or severe injury or death will result.



WARNING: Protect machine from freezing.

14. To keep machine in best operating conditions, it is important you protect machine from freezing. Failure to protect machine from freezing could cause malfunction of the machine and result in death, serious bodily injury, and/or property damage. Follow storage instructions specified in this manual.

15. Inlet water must be clean fresh water and no hotter than 90°F.



WARNING: Risk of asphyxiation. Use this product only in a well ventilated area.

16. Running this product indoors can result in death due to carbon monoxide, a poison gas you cannot see or smell. Never operate indoors, even if windows and doors are open. Only use outdoor and far away from windows, doors, and openings or vents.
17. Manufacturer will not be liable for any changes made to our standard machines or any components not purchased from us.
18. The best insurance against an accident is precaution and knowledge of the machine.



WARNING: Be extremely careful when using a ladder, scaffolding or any other relatively unstable location. The cleaning area should have adequate slopes and drainage to reduce the possibility of a fall due to slippery surfaces.

IMPORTANT SAFETY INFORMATION

19. Do not allow acids, caustic or abrasive fluids to pass through the pump.



WARNING: *If connection is made to portable water supply, a back flow device must be provided.*

20. Never run pump dry or leave spray gun closed longer than 1-2 minutes.
21. Machines with shut-off spray gun should not be operated with the spray gun in the off position for extensive periods of time as this may cause damage to the pump.
22. Protect discharge hose from vehicle traffic and sharp objects. Inspect condition of high pressure hose before using or bodily injury may result.
23. Before disconnecting discharge hose from water outlet, open the spray gun to relieve pressure.
24. Do not overreach or stand on unstable support. Keep good footing and balance at all times.
25. Do not operate this machine when fatigued or under the influence of alcohol, prescription medications, or drugs.
26. **WARNING:** *Wear eye, hand and skin protection when handling or connecting battery.*

Batteries generate explosive gases during normal battery operation.

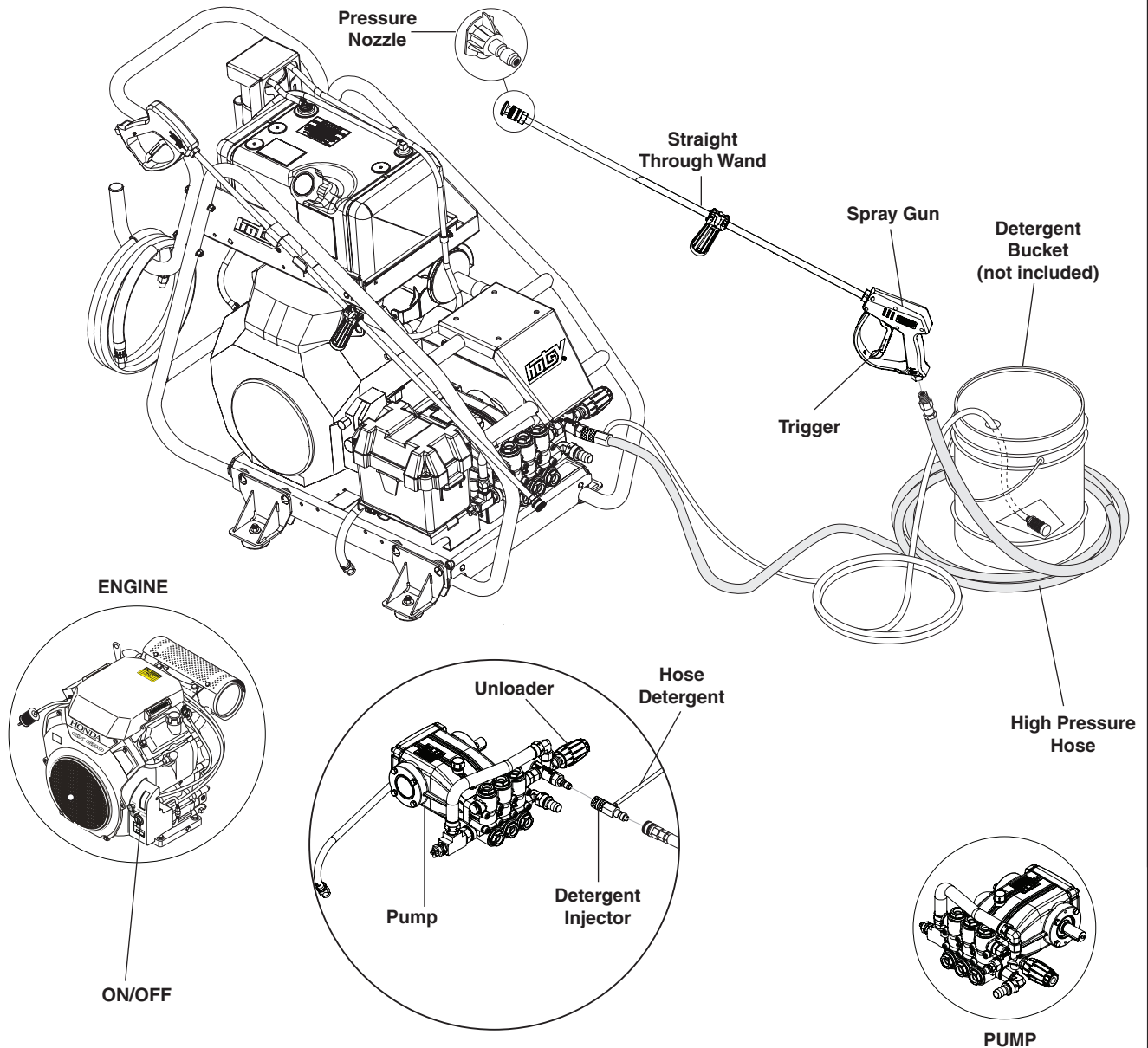
DO NOT expose the battery to flame or sparks as these gases may ignite.

Battery fluid is highly acidic. If battery fluid contacts skin or clothing, wash immediately with soap and water. If battery fluid enters eye, immediately flood eye with running cold water for at least 15 minutes and get immediate medical attention.



Follow the maintenance instructions specified in the manual.

COMPONENT IDENTIFICATION



Pump — Develops high pressure.

Starter Grip — Used for starting the engine manually.

Spray Gun — Controls the application of water and detergent onto cleaning surface with trigger device. Includes safety latch.

Unloader valve — Safety device which allows pressure to be released when spray gun is closed

Detergent Injector — Allows you to siphon and mix detergents. (Not included with machine)

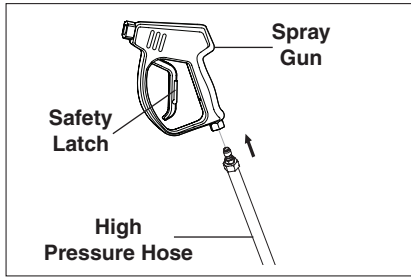
Wand — Must be connected to the spray gun.

High Pressure Hose — Connect one end to water pump discharge nipple and the other end to spray gun.

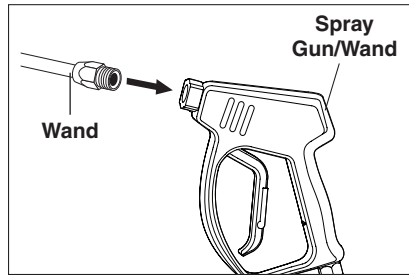
Pump Protector — Cycles fresh cool water through pump when recirculating water reaches 140°F.

Note: If trigger on spray gun is released for more than 1-2 minutes, water will leak from valve. Warm water will discharge from pump protector onto floor. This system prevents internal pump damage.

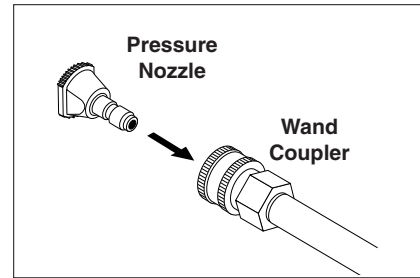
ASSEMBLY INSTRUCTIONS



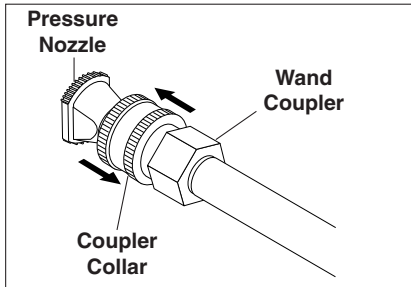
STEP 1: Attach the high pressure hose to the spray gun using teflon tape on hose threads.



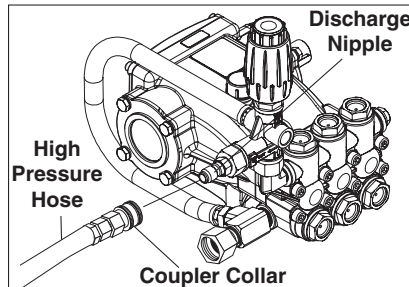
STEP 2: Attach wand to spray gun using teflon tape on wand threads.



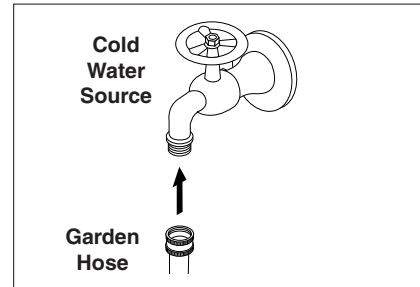
STEP 3: Pull spring-loaded collar of the wand coupler back to insert your choice of pressure nozzle.



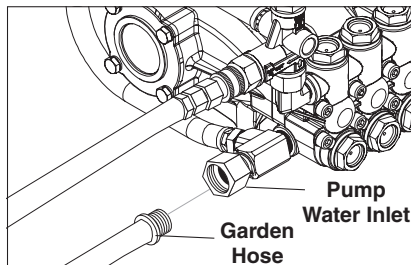
STEP 4: Release the coupler collar and push the nozzle until the collar clicks. Pull the nozzle to make sure it is seated properly.



STEP 5: Connect the high pressure hose to the discharge nipple. Push coupler collar forward until secure.

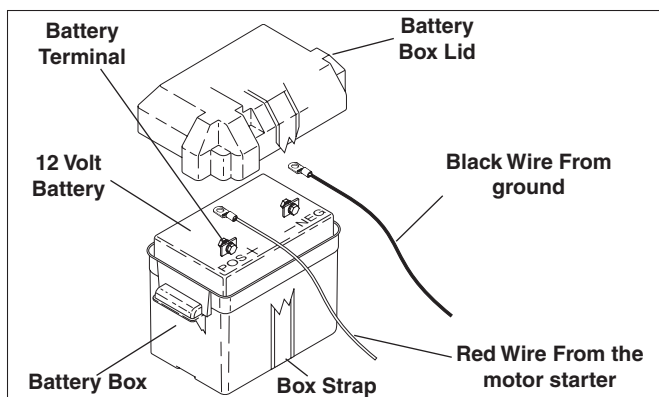


STEP 6: Connect garden hose to the cold water source.



STEP 7: Connect the water supply hose to pump water inlet. **CAUTION:** Do not run the pump without water or pump damage will result.

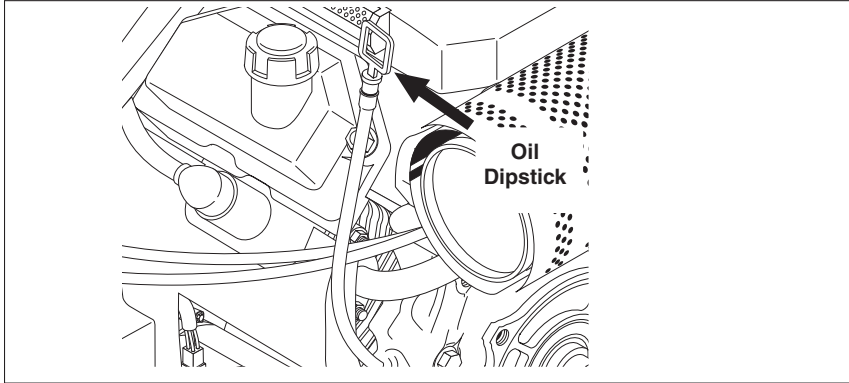
STEPS 8 and 9 for Electric Start Machines



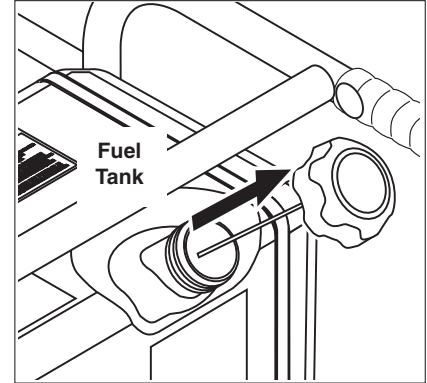
STEP 8: Place battery in battery box. Use a 12 V battery with a minimum capacity of 24AH.

STEP 9: To reduce the possibility of sparking, attach the wires to the battery in the following order. Refer to image aside. First attach the red wire to the positive "+" terminal of battery and the black wire to the negative "-" terminal of the battery. To disconnect the battery remove the wires in the opposite order as installed. Install battery box cover and fasten in place.

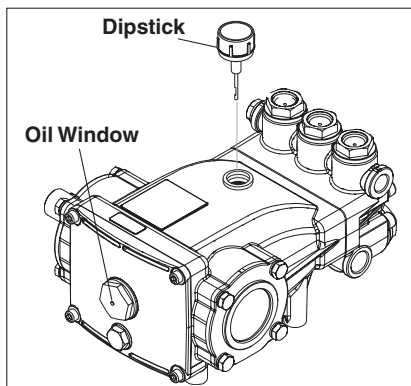
OPERATING INSTRUCTIONS



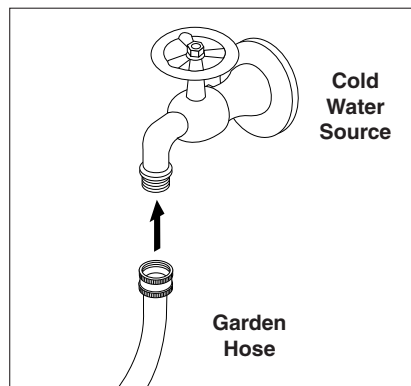
STEP 1: Check engine oil level. Oil level should be level with the bottom of the oil filler neck. Be sure the machine is level when checking the oil level. (Refer to the engine's operating manual included with machine.) We recommend that the oil be changed after the first 20 hours of use, then once every 100 hours. **Note:** Improper oil levels will cause low oil sensor to shut off engine. **IMPORTANT! Do not run engine with high or low oil levels as this will cause engine damage.**



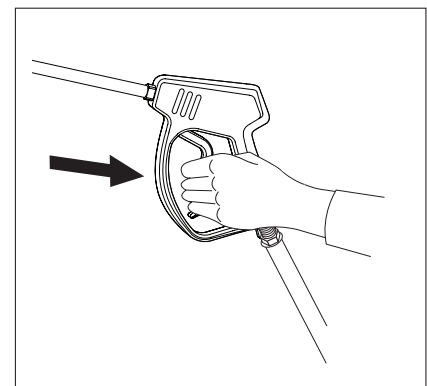
STEP 2: Fill the fuel tank with the appropriate fuel (unleaded gasoline or diesel as noted on the tank). Do not use leaded gasoline.



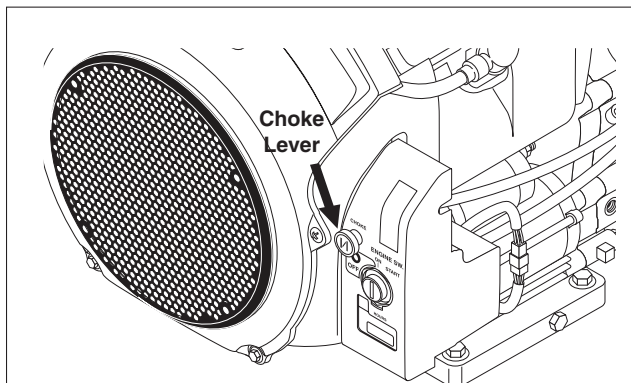
STEP 3: Remove shipping cap and install oil dipstick. Check pump oil level by using dipstick or observe oil level in oil window (if equipped). Use 10W-40 non detergent oil.



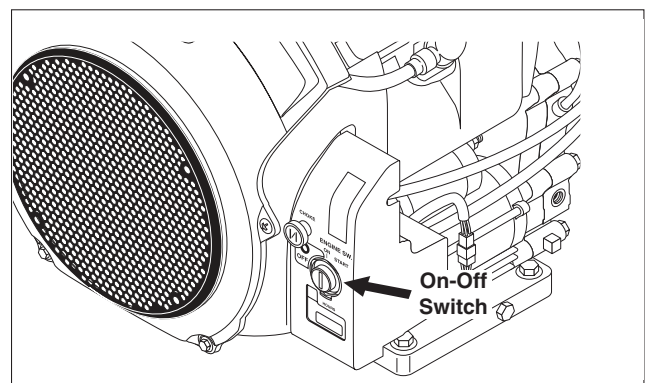
STEP 4: Connect garden hose to the cold water source and turn water on completely. Never use hot water.



STEP 5: Trigger the spray gun to eliminate trapped air then wait for a steady flow of water to emerge from the spray nozzle.

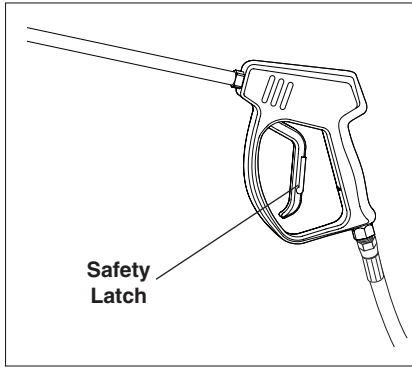


STEP 6: Pull the choke lever out to the "Choke" position (on a warm engine, leave the choke lever in, in the run position). Push the choke lever to the "Closed" position. To restart a warm engine, leave the choke lever in the "Open" position.

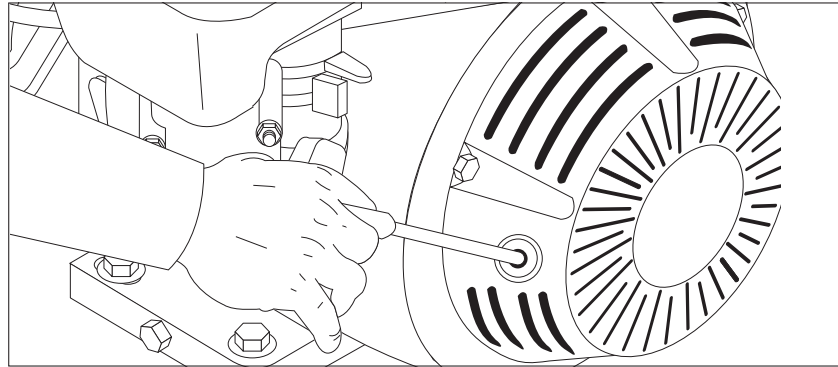


STEP 7: Turn the engine switch to "ON" position.

OPERATING INSTRUCTIONS

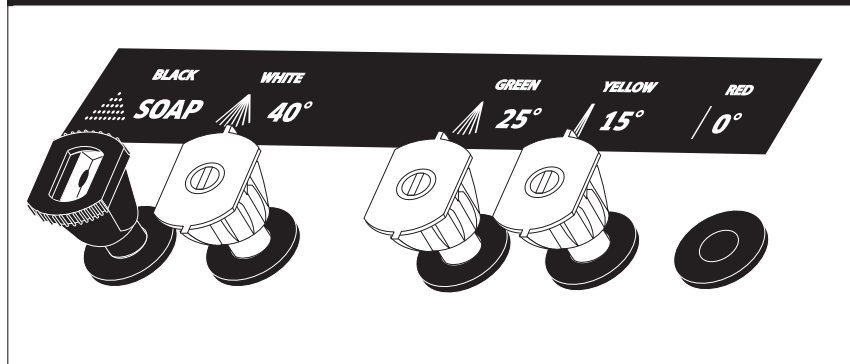


⚠ WARNING! Never replace nozzles without engaging the safety latch on the spray gun trigger.



⚠ WARNING! Starter cord kickback (rapid retraction) can result in bodily injury. Kickback will pull hand and arm toward engine faster than you can let go. **ALWAYS** relieve spray gun pressure before pulling starter cord. Pull starter cord slowly until resistance is felt, then pull rapidly.

NOZZLES



The four color-coded quick connect nozzles provide a wide array of spray widths from 15° to 40° and are easily accessible when placed in the convenient rubber nozzle holder, which is provided on the front of the machine.

NOTE: For a more gentle rinse, select the white 40° or green 25° nozzle. To scour the surface, select the yellow 15° nozzle. To apply detergent, select the black nozzle.

INSTALLATION

GETTING STARTED

IMPORTANT: Proper initial installation of equipment will assure more satisfactory performance, longer service life, and lower maintenance cost.

IMPORTANT: The use of backflow preventer on the water supply hose is recommended and may be required by local code.

IMPORTANT: DO NOT run machine indoors or in an enclosed area where high ambient temperatures exist. High ambient temperatures (above 100° F) can cause engine oil failure and will greatly reduce the engine's performance.

VENTING

CAUTION: All venting must be in accordance with applicable federal and state laws, and local ordinances. Consult local heating contractors.

INSTALLATION

If the pressure washer is to be used in an enclosed area, a flue must be installed to vent engine exhaust to the outside atmosphere. Poor draft will cause the pressure washer not operate properly.

When selecting the location for installation, beware of poorly ventilated locations or areas where exhaust fans may cause an insufficient supply of oxygen.

Proper combustion can only be obtained when there is a sufficient supply of oxygen available for the amount of fuel being burned. If it is necessary to install the machine in a poorly ventilated area, outside fresh air will have to be supplied to the machine.

Locate the pressure washer so that the flue will be as straight as possible and protrude through the roof at a proper height and location to provide adequate draft.

This oil fired pressure washer must have a draft regulator installed in the flue (available from most heating contractors). A draft regulator will permit proper upward flow of exhaust flue gases.

WATER SUPPLY

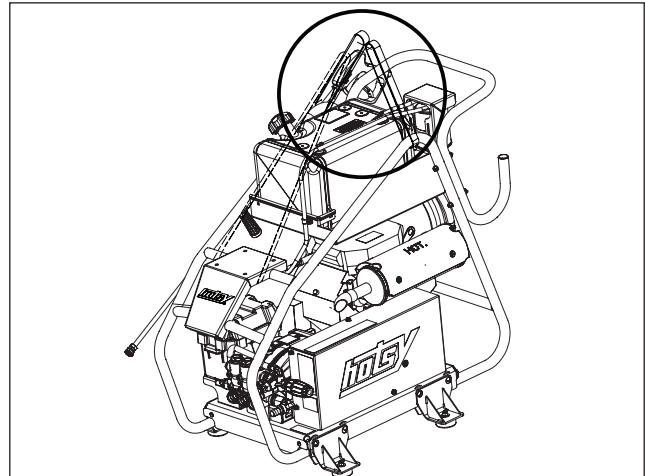
Your water supply must provide water to the equipment that exceeds the Gallon Per Minute (GPM) rate of your machine. You can check your GPM by using a 5 gallon bucket and a timer. If your machine is 5 GPM or less and the bucket fills in less than a minute you have adequate supply. Some water supply systems are affected by things like washing machines, livestock watering systems and flushing of toilets. Be sure the supply is still adequate when these operations are taking place. The water temperature cannot exceed 145 Degrees Fahrenheit on the standard models and 180 degrees Fahrenheit on the high temperature models and the pressure should not exceed 60 PSI. Failure to secure adequate water supply to your commercial pressure washer will result in pump damage.

!DO NOT RUN PUMP DRY!

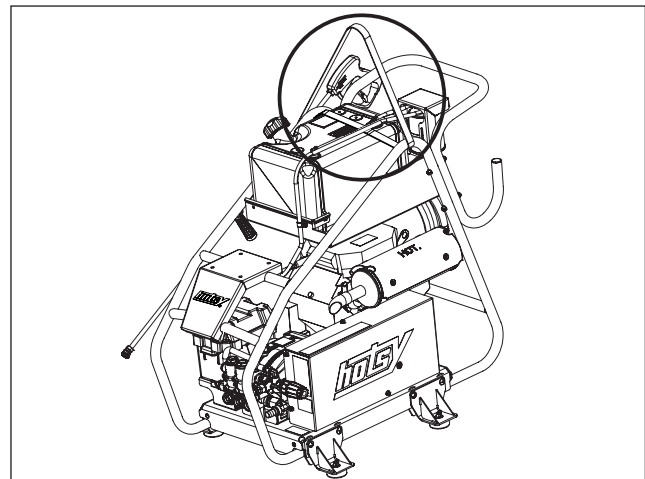
BEFORE STARTING

Connect the water supply hose to the water inlet (standard garden hose connector). The water faucet and supply hose must be capable of providing (GPM) rate of your machine.

Recommendation to lift the machine.



Do not lift the machine. Refer to image. Can cause damage to the gas tank.



MAINTENANCE

PUMP

DO NOT:

1. Pump acids.
2. Fail to winterize in freezing temperatures.
3. Allow pump to run dry.
4. Allow machine to run with trigger gun closed for more than 3 minutes at any one time or damage to pump may occur.

DO:

1. Use a water softener on the water system if known to be high in mineral content.
2. Use only high quality detergents and follow manufacturer's mix recommendations.
3. Immediately after using detergent solutions the system should be flushed thoroughly with clear water.
4. Clean strainer screen on detergent line periodically.

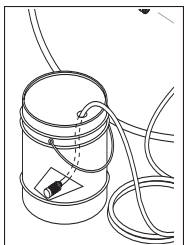
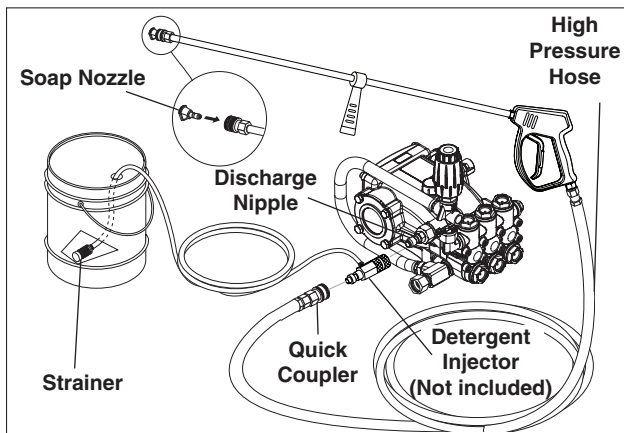
DETERGENT AND GENERAL CLEANING TECHNIQUES

WARNING



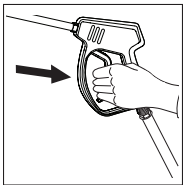
WARNING: Some detergents may be harmful if inhaled or ingested, causing severe nausea, fainting or poisoning. The harmful elements may cause property damage or severe injury.

STEP 1: Connect the optional detergent injector to discharge nipple on machine. Connect high pressure hose to injector with quick coupler. (Check to make sure locking coupler sleeves are in proper position before applying water pressure).



STEP 2: Use detergent designed specifically for pressure washers. Household detergents could damage the pump. Prepare detergent solution as required by manufacturer. Fill a container with pressure washer detergent. Place filter end of detergent suction tube into detergent container.

STEP 3: With safety latch on spray gun engaged, secure black detergent nozzle into quick coupler. **NOTE:** Detergent cannot be applied using yellow, green or white nozzles.



STEP 4: With the engine running, pull trigger to operate machine. Liquid detergent is drawn into the machine

and mixed with water. Apply detergent to work area. Do not allow detergent to dry on surface.

IMPORTANT: You must flush the detergent injection system after each use by placing the suction tube into a bucket of clean water, then run the pressure washer in low pressure for 1-2 minutes.

THERMAL PUMP PROTECTION

If you run the engine on your pressure washer for 1-2 minutes without pressing the trigger on the spray gun, circulating water in the pump can reach high temperatures. When the water reaches this temperature, the pump protector engages and cools the pump by discharging the warm water onto the ground. This thermal device prevents internal damage to the pump.

CLEANING TIPS

Pre-rinse cleaning surface with fresh water. Place detergent suction tube directly into cleaning solution and apply to surface at low pressure (for best results, limit your work area to sections approximately 6 feet square and always apply detergent from bottom to top). Allow detergent to remain on surface 1-3 minutes. Do not allow detergent to dry on surface. If surface appears to be drying, simply wet down surface with fresh water. If needed, use brush to remove stubborn dirt. Rinse at high pressure from top to bottom in an even sweeping motion keeping the spray nozzle approximately 1 foot from cleaning surface. Use overlapping strokes as you clean and rinse any surface. For best surface cleaning action spray at a slight angle.

Recommendations:

- Before cleaning any surface, an inconspicuous area should be cleaned to test spray pattern and distance for maximum cleaning results.
- If painted surfaces are peeling or chipping, use extreme caution as pressure washer may remove the loose paint from the surface.
- Keep the spray nozzle a safe distance from the surface you plan to clean. High pressure wash a small area, then check the surface for damage. If no damage is found, continue to pressure washing.

CAUTION - Never use:

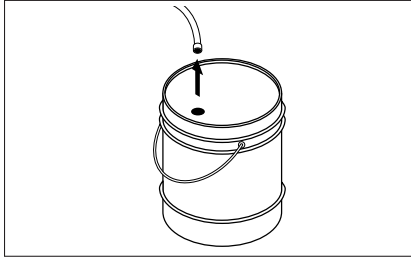
- ⚠ Bleach, chlorine products and other corrosive chemicals
- Liquids containing solvents (i.e., paint thinner, gasoline, oils)
- Tri-sodium phosphate products
- Ammonia products
- Acid-based products

These chemicals will harm the machine and will damage the surface being cleaned.

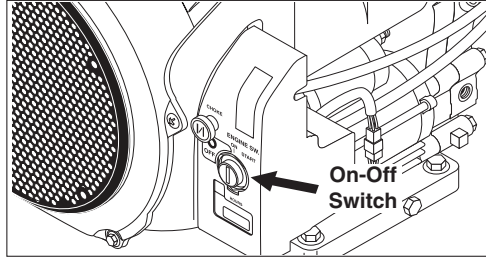
RINSING

It will take a few seconds for the detergent to clear. Apply safety latch to spray gun. Remove black soap nozzle from the quick coupler. Select and install the desired high pressure nozzle. **NOTE:** You can also stop detergent from flowing by simply removing detergent siphon tube from bottle.

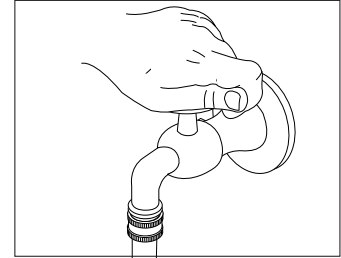
SHUTTING DOWN AND CLEAN-UP



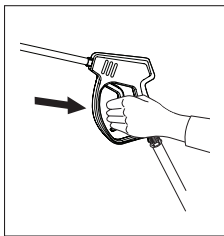
STEP 1: Remove detergent suction tube from container and insert into one gallon of fresh water. Slide nozzle forward for low pressure or to connect black detergent nozzle. Pull trigger on spray gun and siphon water for one minute.



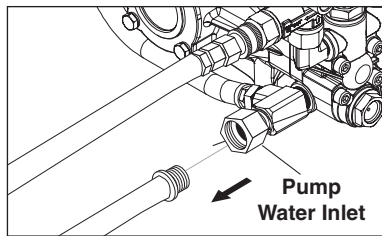
STEP 2: Turn off the engine.



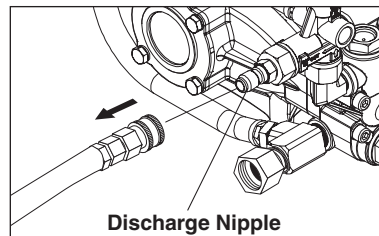
STEP 3: Turn off water supply.



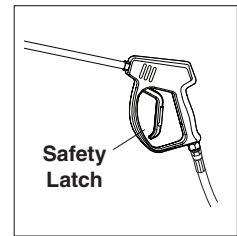
STEP 4: Press trigger to release water pressure.



STEP 5: Disconnect the garden hose from the water inlet on the machine.



STEP 6: Disconnect the high pressure hose from discharge nipple.



STEP 7: Engage the spray gun safety lock.

STORAGE

CAUTION: Always store your pressure washer in a location where the temperature will not fall below 32°F (0°C). The pump in this machine is susceptible to permanent damage if frozen. **FREEZE DAMAGE IS NOT COVERED BY WARRANTY.**

1. Stop the pressure washer, squeeze spray gun trigger to release pressure.
2. Detach water supply hose and high pressure hose.
3. Turn on the machine for a few seconds, until remaining water exits. Turn engine off immediately.
4. Drain the gas and oil from the engine.
5. Do not allow high pressure hose to become kinked.
6. Store the machine and accessories in a room which does not reach freezing temperatures.

CAUTION: Failure to follow the above directions will result in damage to your pressure washer.

When the pressure washer is not being operated or is being stored for more than one month, follow these instructions:

1. Replenish engine oil to upper level.
2. Drain gasoline from fuel tank, fuel line, fuel valve and carburetor.
3. Pour about one teaspoon of engine oil through the spark plug hole, pull the starter grip several

times and replace the plug. Then pull the starter grip slowly until you feel increased pressure which indicates the piston is on its compression stroke and leave it in that position. This closes both the intake and exhaust valves to prevent rusting of cylinder.

4. Cover pressure washer and store in a clean, dry place that is well ventilated away from open flame or sparks. **NOTE:** The use of a fuel additive, such as STA-BIL®, or an equivalent, will minimize the formulation of fuel deposits during shortage. Such additives may be added to the gasoline in the fuel tank of the engine, or to gasoline in a storage container.

After Extended Storage



CAUTION: Prior to restarting, thaw out any possible ice from pressure washer hoses, spray gun or wand.

Engine Maintenance

During the winter months, rare atmospheric conditions may develop which will cause an icing condition in the carburetor. If this develops, the engine may run rough, lose power and may stall. This temporary condition can be overcome by deflecting some of the hot air from the engine over the carburetor area. **NOTE:** Refer to the engine manufacturer's manual for service and maintenance of the engine.

PREVENTATIVE MAINTENANCE

For Models: HHD 5/30 G, HHD 6/30 G, HHD 8/35 G, HHD 3.4/30 D

This pressure washer was produced with the best available materials and quality craftsmanship. However, you as the owner have certain responsibilities for the correct care of the equipment. Attention to regular preventative maintenance procedures will assist in preserving the performance of your equipment. Contact your dealer for maintenance. Regular preventative maintenance will add many hours to the life of your pressure washer. Perform maintenance more often under severe conditions. Check pump oil and engine oil level before first use of your new pressure washer.

MAINTENANCE SCHEDULE

Engine Oil SAE 10W-30	Inspect	Daily
	Change	First month or 20 hours. Every 100 hours or every 6 months after first month
	Filter	Every 50 hours
Air Cleaner/Filter	Inspect or check	Daily or each use
	Clean	Every 6 months or 100 hours
	Replace	Every 2 years or 500 hours (Replace the paper filter element only)
Engine Fuel Filter	Replace	Every year or 300 hours
Spark Plug Maintenance		300 hours or annually
Clean Fuel Tank(s)		Annually
Replace Fuel Lines		Annually
Pump Oil (Non foaming) SAE 10W-40	Inspect	Oil level Daily or Each use
	Change	After first 50 hours, then every 500 hours or annually
Replace High Pressure Nozzle		Every 6 months
Replace Quick Connects/O-Rings		Annually/As needed
Clean Water Screen/Filter		Weekly
Replace HP Hose		Annually (if there are any signs of wear)

*When servicing belts, don't exceed 14 lb-ft on pump mounting screws. Failure to do so will cause pump thread damage.

NOTE: Read engine manual for any maintenance or service questions.

TROUBLESHOOTING

For Models: HHD 5/30 G, HHD 6/30 G, HHD 8/35 G, HHD 3.4/30 D

PROBLEM	POSSIBLE CAUSE	SOLUTION
LOW OPERATING PRESSURE	Faulty pressure gauge	Install new gauge.
	Insufficient water supply. Closed faucet. Inlet hose kinked	Use larger supply hose; clean filter at water inlet. Open faucet.
	Clogged inlet hose strainer	Check plumbing system for leaks. Retape leaks with teflon tape.
	Old, worn or incorrect spray nozzle	Match nozzle number to machine and/or replace with new nozzle.
	Belt slippage	Tighten or replace; use correct belt.
	Plumbing or hose leak	Check plumbing system for leaks. Re-tape leaks with teflon tape.
	Faulty or mis-adjusted unloader valve	Adjust unloader for proper pressure. Install repair kit when needed.
	Worn packing in pump	Install new packing kit. Call Dealer Customer Support.
	Fouled or dirty inlet or discharge valves in pump	Clean inlet and discharge valves.
	Machine has been stored in freezing temperatures	Thaw out machine completely, including hose, spray gun and wand.
	Worn inlet or discharge valves	Replace with valve kit.
	Obstruction in spray nozzle	Remove obstruction.
	Leaking pressure control valve	Rebuild or replace as needed.
	Slow engine RPM	Set engine speed at proper specifications.
	Pump sucking air	Check water supply and possibility of air seepage.
FLUCTUATING PRESSURE	Valves sticking	Check and clean or replace if necessary.
	Unloader valve seat faulty	Check and replace if necessary.
	Worn or dirty pump valves	Call local distributor.
	Nozzle is obstructed	Blow out or remove debris with fine needle.
PRESSURE LOW AFTER PERIOD OF NORMAL USE	Pump sucking air, inlet hose leaking	Check that all hoses and fittings are airtight. Turn off machine and trigger spray gun until a steady flow of water emerges through the nozzle.
	Insufficient water supply	Turn water on full force. Check garden hose for kinks, leaks or blockage.
	Nozzle worn	Replace nozzle.
ENGINE WILL NOT START OR STOPS WHILE OPERATING	Unloader valve worn	Replace unloader valve.
	Low oil shutdown	Fill engine with oil.
	Out of gas	Fill fuel tank.
	Water in gasoline	Drain gas tank; fill with clean fuel.

TROUBLESHOOTING

For Models: HHD 5/30 G, HHD 6/30 G, HHD 8/35 G, HHD 3.4/30 D

PROBLEM	POSSIBLE CAUSE	SOLUTION
ENGINE IS OVERLOADED	Nozzle partially blocked	Clean nozzle.
	Excessive pressure from high engine RPM	Adjust engine throttle to lower RPM.
PRESENCE OF WATER IN PUMP OIL	Water sprayed at machine	Change oil. Direct spray away from machine.
	High humidity in air	Check and change oil twice as often.
	Piston packing worn. Oil seal worn.	Call local distributor.
ENGINE OPERATES FOR 15 MINUTES THEN STOPS	Not enough gas or engine oil	Fill tank with gas. Check oil level.
	Vapor lock developed by heat of day	Keep gas tank full to avoid vapor locking.
	Obstruction in fuel filter	Clean or replace fuel filter.
ENGINE LACKS POWER	Dirty air filter	Replace air filter.
ENGINE FALTERS	Choke is opened too soon	Move choke to halfway position until engine runs smoothly.
WATER DRIPPING FROM UNDER PUMP	Piston packing worn	Call local distributor.
	O-Ring plunger retainer worn	Call local distributor.
	Cracked piston	Call local distributor.
OIL DRIPPING FROM UNDER PUMP	Oil seal worn or damaged	Call local distributor.
WATER LEAKING FROM PUMP PROTECTOR	Spray gun closed with machine running 5 minutes or longer	Open spray gun or turn off machine.
NO DETERGENT	Detergent suction tube not properly connected to machine	Check connection.
	Detergent is too thick	Dilute detergent. For best results, use manufacturers detergent.
	Detergent filter valve is at lowest setting	Set detergent filter valve to a higher setting.
	Filter on detergent suction tube is clogged	Run warm water through filter to remove debris.
	Damaged or clogged detergent suction tube	Remove obstruction or replace detergent suction tube.
	A high pressure nozzle is attached.	Replace with black detergent nozzle.
	Discharge nozzle is obstructed	Blow out or remove debris with fine needle.
GARDEN HOSE CONNECTION LEAKS	Loose fittings	Tighten fittings.
	Missing/worn rubber washer	Insert new washer.

TROUBLESHOOTING

For Models: HHD 5/30 G, HHD 6/30 G, HHD 8/35 G, HHD 3.4/30 D

PROBLEM	POSSIBLE CAUSE	SOLUTION
SPRAY WAND LEAKS	Spray wand not properly attached	Slide the spray wand into the gun. Turn the wand collar clockwise onto the spray gun threads until tight.
	Broken o-ring	Call local distributor and order an o-ring.
PUMP IS NOISY	Pump is sucking air	Check that hoses and fittings are air tight. Turn off machine and purge pump by squeezing trigger gun until a steady flow of water emerges through nozzle.

OIL CHANGE RECORD

Check pump oil and engine oil level before first use of your new pressure washer.

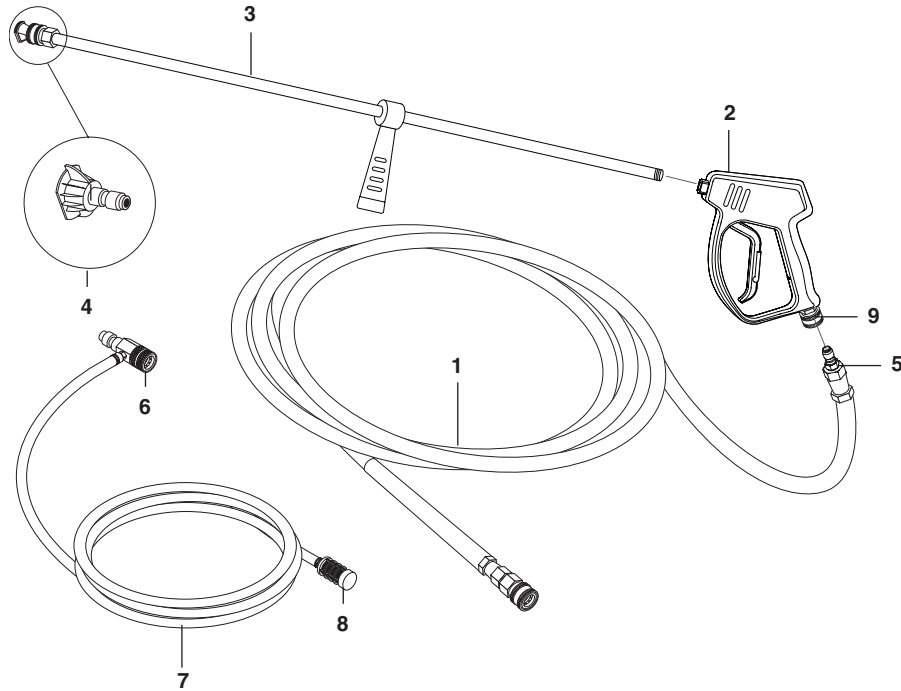
Pump oil: Check level daily before first use of your new Power Washer. Change pump oil after first 50 hours every year or 500 hours thereafter. Use SAE 10W-40 non foaming.

Engine oil: Check daily before first use of your new Power Washer. Change engine oil after first 20 hours and every 100 hours thereafter. Use SAE 10W-30.

Date Pump Oil Changed Month/Day/Year	Estimated Operating Hours Since Last Oil Change	Date Engine Oil Changed Month/Day/Year	Estimated Operating Hours Since Last Oil Change

NOTE: Read engine manual for any maintenance or service questions.

ACCESSORIES ASSEMBLY



ACCESSORIES ASSEMBLY PARTS LIST

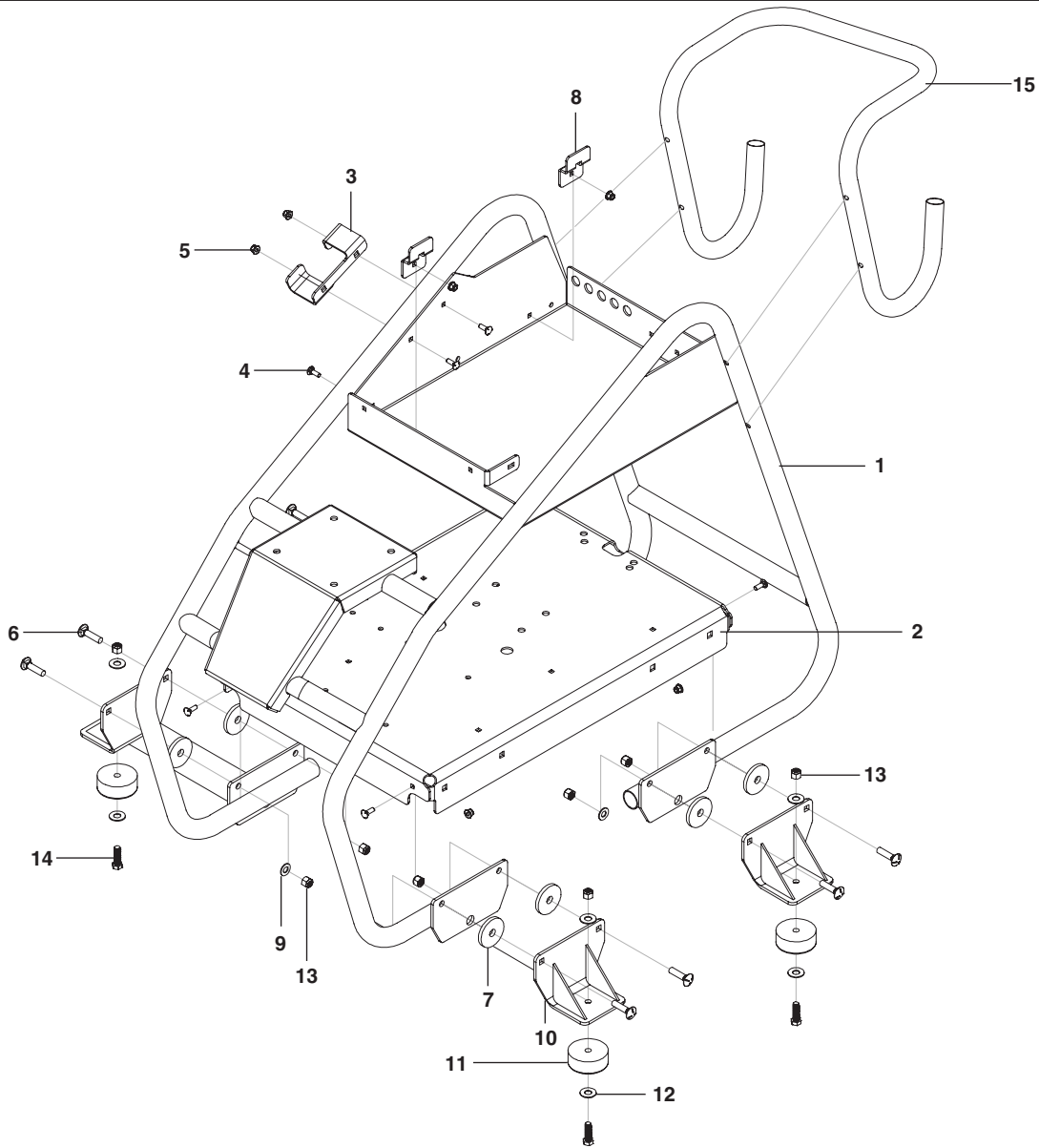
ITEM	PART NO.	DESCRIPTION	QTY
1	8.925-132.0	Hose, 3/8" X 50' 2W 6000PSI SW/SO/CPL (HHD 5/30 G, HHD 6/30 G)	1
	8.925-134.0	Hose, 1/2" X 50' 2W 5000PSI SW/SO/CPL (HHD 8/35 G)	1
	8.925-130.0	Hose, 3/8" X 50' 1W 4000PSI SW/SO/CPL (HHD 3.4/30 D)	1
2	8.750-247.0	Gun, M407 (HHD 5/30 G, HHD 6/30 G)	1
	8.710-384.0	Gun, ST-1500, 5000 PSI, 10.4 GPM (HHD 8/35 G, HHD 3.4/30 D)	1
3	8.783-040.0	Wand 44" Zinc Plated, Handle & Coupler (all models)	1
4	Quick Connect Nozzle Kit (6.0) (HHD 5/30 G)		
	8.712-362.0	▲ Nozzle, SAQCMEG 1506, Yellow	1
	8.712-363.0	▲ Nozzle, SAQCMEG 2506, Green	1
	8.712-364.0	▲ Nozzle, SAQCMEG 4006, White	1
	8.712-398.0	▲ Nozzle kpl., QCEM-6540 Mess. (CHEM)	1
	Quick Connect Nozzle Kit (7.0) (HHD 6/30 G)		
	8.712-370.0	▲ Nozzle, SAQCMEG 1507, Yellow	1
	8.712-371.0	▲ Nozzle, SAQCMEG 2507, Green	1
	8.712-372.0	▲ Nozzle, SAQCMEG 4007, White	1
	8.712-398.0	▲ Nozzle kpl., QCEM-6540 Mess. (CHEM)	1
	Quick Connect Nozzle Kit (9.0) (HHD 8/35 G)		
	8.708-463.0	▲ 1/4' QC WASHJET #9 x 15	1
	8.708-464.0	▲ 1/4' QC WASHJET #9 x 25	1
	8.708-465.0	▲ 1/4' QC WASHJET #9 x 40	1
	8.712-398.0	▲ Nozzle COMPL, QCEM-6540 Brass (Chem)	1
	Quick Connect Nozzle Kit (4.0) (HHD 3.4/30 D)		
	8.712-346.0	▲ Nozzle, SAQCMEG 1504, YELLOW	1
	8.712-347.0	▲ Nozzle, SAQCMEG 2504, GREEN	1
	8.712-348.0	▲ Nozzle, SAQCMEG 4004, WHITE	1
	8.712-398.0	▲ Nozzle, COMPL, QCEM-6540 BRASS (Chem)	1

ACCESSORIES ASSEMBLY PARTS LIST

ITEM	PART NO.	DESCRIPTION	QTY
5	9.802-170.0	Coupler, 3/8" plug, female, steel/zinc (all models)	1
6	9.802-216.0	Injector, Chem, 0.083 (HHD 5/30 G, HHD 3.4/30 D)	1
	8.757-724.0	Injector Chem Non Adj 2.3 5-9GPM (HHD 6/30 G, HHD 8/35 G)	1
7	6.388-216.0	Hose DN 5 (HHD 5/30 G, HHD 3.4/30 D)	1M
8	5.731-652.0	Filter with weight (HHD 5/30 G, HHD 3.4/30 D)	1
9	9.802-169.0	Coupler, 3/8" Socket, Male, Brass (all models)	1

▲ Not Shown

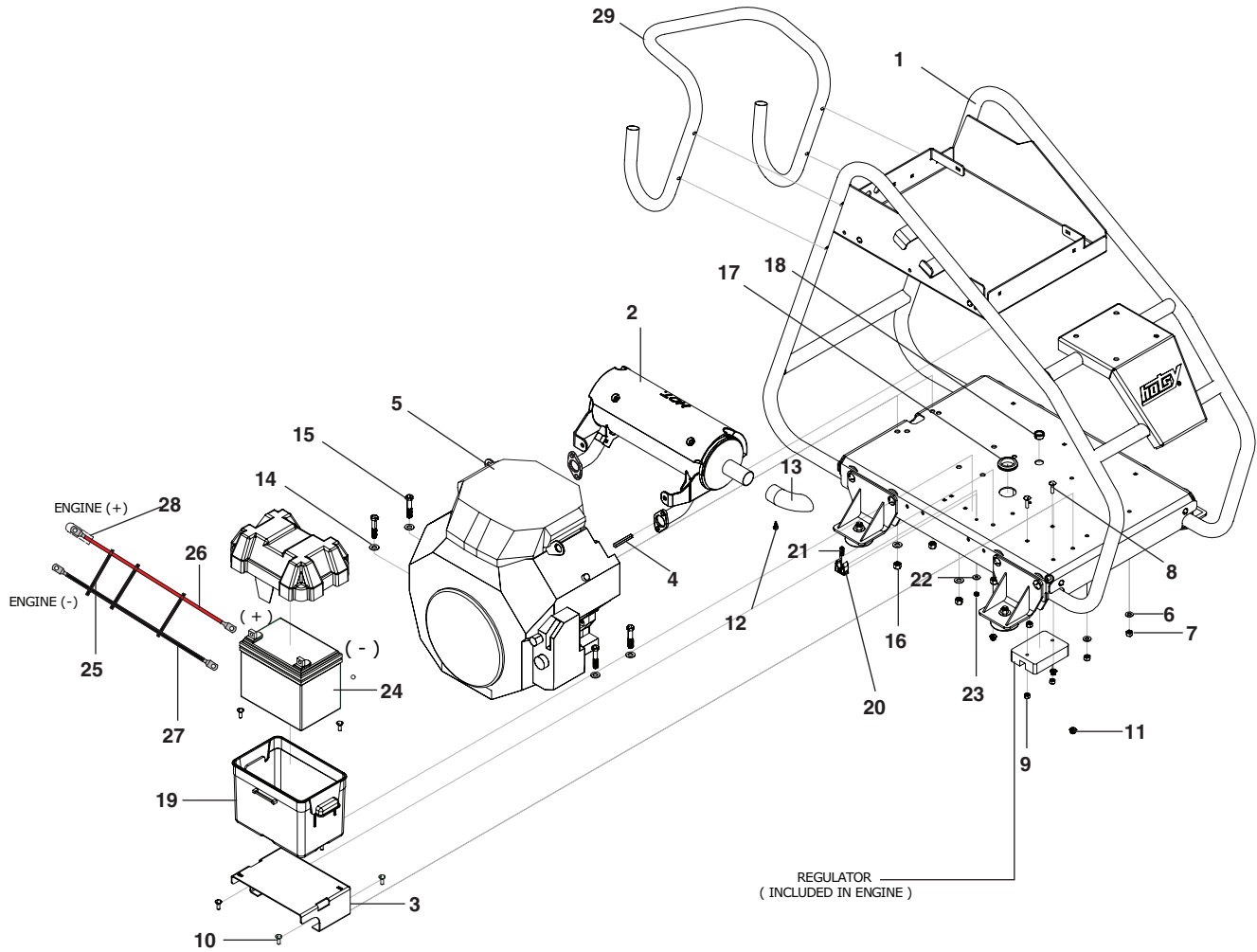
FRAME ASSEMBLY HF SKID



FRAME ASSEMBLY HF SKID PARTS LIST

ITEM	PART NO.	DESCRIPTION	QTY
1	8.928-612.0	Cage High Flow	1
2	8.928-607.0	Base High Flow	1
3	8.928-692.0	Wand Holder HF	1
4	8.757-432.0	Bolt, 1/4-20 X 3/4, Carriage ST CL5 ZNPLT	8
5	9.197-010.0	1/4-20" Nylon Insert Lock Nut With Flange	8
6	8.757-629.0	Bolt 3/8-16 X 1.5" Carriage Zinc Plt Cl5	8
7	9.802-067.0	Bumper Pad, Engine	8
8	8.928-605.0	Support Strap Gas Tank	2
9	9.198-004.0	3/8 USS F/W Zinc	8
10	8.928-954.0	Skid Feet Welded	4
11	9.802-066.0	Pad Soft Rubber	4
12	9.802-817.0	Washer, 3/8" X 1"	8
13	9.197-003.0	3/8-16 Ne Nylon Insert L/N ZC 5UM White	12
14	9.802-722.0	Bolt, 3/8 X 1-1/4", NC HH	4
15	Handle	See exploded view	

EXPLODED VIEW - RIGHT SIDE



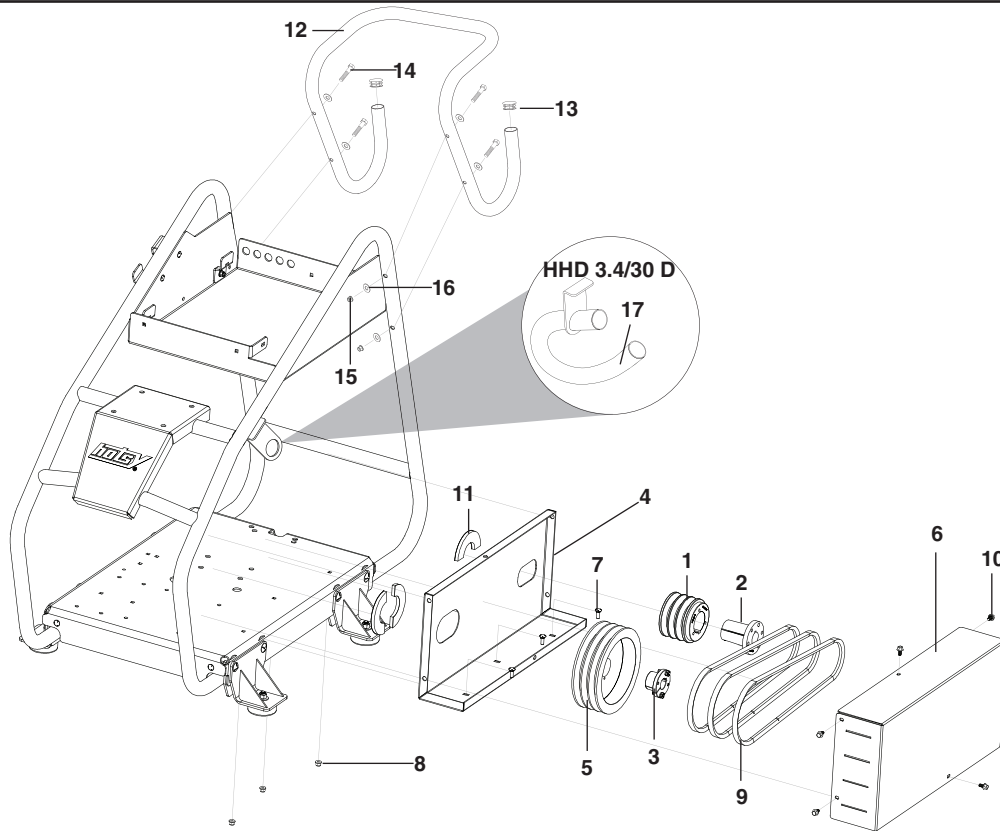
EXPLODED VIEW PARTS LIST - RIGHT SIDE

ITEM	PART NO.	DESCRIPTION	QTY
1	8.928-626.0	Frame Assembly HF Skid	1
2	8.750-498.0	Muffler, Honda, GX630/GX660, Left (except model HD 3.4/30 D)	1
3	8.928-620.0	Battery Bracket	1
4	9.802-959.0	Key, 0.247 SQR X 2.125" (HHD 8/35 G)	1
5	8.757-350.0	Engine Honda GX690RHTXF5 662650 (HHD 8/35 G)	1
	8.752-149.0	Engine honda GX630RHQXF No Throttle (HHD 5/30 G)	1
	8.757-268.0	Engine, Kohler KD440-9008 (HD 3.4/30D)	1
6	8.718-980.0	Washer, 5/16" Flat, SAE (780452)	16
7	9.802-776.0	Nut, 5/16-18, ESNA	8
8	8.757-433.0	Bolt, 1/4-20 X 1", Carriage ST CL5 ZNPLT	2
9	9.802-773.0	Nut, 1/4-20 ESNA NC	2
10	8.757-432.0	Bolt, 1/4-20 X 3/4, Carriage ST CL5 ZNPLT	13
11	9.197-010.0	1/4-20" Nylon Insert Lock Nut With Flange	13
12	8.718-941.0	Screw, 10-16 X 5/8 TEK	1
13	8.915-387.0	Deflector, Exhaust, 1.375" D Pipe, 45DEG (except model HD 3.4/30 D)	1
14	9.198-004.0	3/8 USS F/W Zinc	11
15	9.802-728.0	Bolt, 3/8-16 x 2", HH Zinc	4
16	9.197-003.0	3/8-16 Ne Nylon Insert L/N ZC 5UM White	4
17	8.750-647.0	Grommet Rubber 1 1/2"	1
18	8.706-731.0	Bushing, 3/4" Snap Heyco P/N 2096	1

EXPLODED VIEW PARTS LIST - RIGHT SIDE

ITEM	PART NO.	DESCRIPTION	QTY
19	8.706-652.0	Battery box, small	1
20	9.802-203.0	Clamp, 1/2" RO-CLIP, KLEINHUIS P/N 796/1	1
21	9.802-771.0	Screw, 10/32" X 3/4", BH SOC CS	1
22	9.802-802.0	Washer, 1/4" Flat SAE Zinc	1
23	9.804-567.0	*Nut, 10/32', ESNA	1
24	8.754-990.0	Battery, 12V, 35Ah, Small	1
25	9.802-510.0	Cable, TIE, 4" Black	6
26	8.757-737.0	Cable Battery 27" Red 4 Ga	1
27	8.757-738.0	Cable Battery 30" Black 4 Ga	1
28	9.804-615.0	Cover, Battery Terminal, Red	1
29	Handle	See exploded view	

EXPLODED VIEW - LEFT SIDE



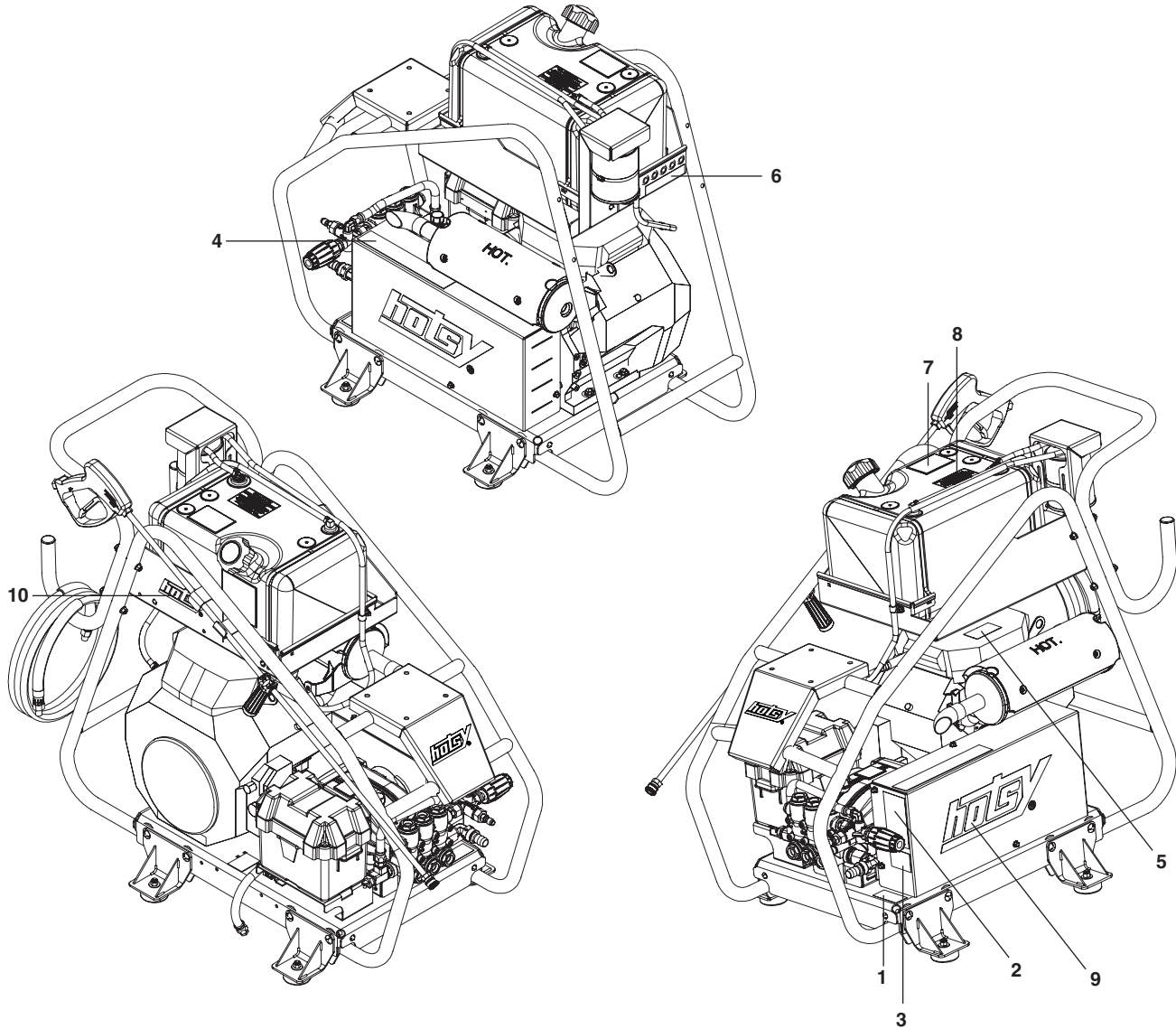
EXPLODED VIEW PARTS LIST - LEFT SIDE

ITEM	PART NO.	DESCRIPTION	QTY
1	9.802-393.0	Pulley, 3TB36 (HHD 8/35 G)	1
	8.715-576.0	Pulley, 2BK 32 H (HHD 5/30 G and HHD 6/30 G)	1
	9.802-383.0	Pulley, 2BK 36 H (HHD 3.4/30 D)	1
2	9.802-405.0	Bushing, P2 X 1-1/8 (HHD 8/35 G)	1
	9.802-399.0	Bushing, H X 1 (HHD 5/30 G, HHD 6/30 G and HHD 3.4/30D)	1
3	9.802-403.0	Bushing, H X 25MM (HHD 5/30 G, HHD 6/30 G and HHD 8/35 G)	1
4	8.929-108.0	Guard Rivnut	1
	8.929-110.0	Guard Rivnut Diesel	1
5	8.715-618.0	Pulley, 3BK 80 H (HHD 8/35 G)	1
	8.715-592.0	Pulley, 2BK 80H (HHD 5/30 G and HHD 6/30 G)	1
	8.715-591.0	Pulley, 2BK 70 H (HHD 3.4/30 D)	1
6	8.928-633.0	Front Guard HF	1
7	8.757-432.0	Bolt, 1/4-20 X 3/4, Carriage ST CL5 ZNPLT	13
8	9.197-010.0	1/4-20" Nylon Insert Lock Nut With Flange	13
9	9.802-420.0	Belt, BX 43 (HHD 8/35 G)	3
	9.802-420.0	Belt, BX 43 (HHD 5/30 G and HHD 6/30 G)	2
	8.715-702.0	Belt, BX 41 (HHD 3.4/30 D)	2
10	9.802-754.0	Screw, 1/4" X 1/2" NC, Whiz Loc Flange	6
11	8.932-993.0	Cushion, Pump (Thin)	3
	8.932-993.0	Cushion, Pump (Thin) (HHD 3.4/30 D)	4
12	8.928-606.0	Handle High Flow	1
13	8.754-441.0	Plastic Cap_1.25"Diam_Tube	2
14	8.718-636.0	Bolt, 5/16' X 3', NC HH, Zinc	4
15	9.802-776.0	Nut, 5/16-18, ESNA	4
16	8.718-980.0	Washer, 5/16" Flat, SAE (780452)	8
17	8.929-240.0	Assembly Flame Guard and Pipe (HHD 3.4/30 D)	1

FUEL TANK EXPLODED VIEW PARTS LIST

ITEM	PART NO.	DESCRIPTION	QTY
1	8.752-915.0	Tank, 7.25 GAL, LOW-PERM	1
2	9.802-071.0	Trim, 750 B2 X 1/16. Black, /FT	3/4 (4 PCS)
3	Pump Assy	See Exploded page	
4	8.755-187.0	Grommet, Rubber	5
5	9.802-053.0	Bushing, Fuel Line, Rubber	1
6	9.803-531.0	Diptube Assy, Plastic, 10.00" Long	1
7	8.751-215.0	Grommet, Remote Vent, Kelch	1
8	9.802-254.0	Hose, 1/4" Push-On, /FT (except model HHD 3.4/30 D)	5 1/2"
9	8.617-709.0	Clamp, Cable 1/2I.D. 1/4BLT	2
10	9.802-254.0	Hose, 1/4" Push-On, /F	34 1/2 "
	9.802-254.0	Hose, 1/4" Push-On, /FT (model HHD 3.4/30 D)	36"
11	9.802-254.0	Hose, 1/4" Push-On, /F	28 1/4 "
	9.802-254.0	Hose, 1/4" Push-On, /FT (model HHD 3.4/30 D)	41"
12	8.751-380.0	Carbon Canister, 850cc (except model HHD 3.4/30 D)	1
13	9.802-816.0	Washer, 7/16", Split Ring Lock, 780481	4
14	9.802-744.0	Bolt, 10mm x 20mm, HH Zinc	4
15	9.802-710.0	Screw 5/16" x 1" NC	4
16	8.718-980.0	Washer, 5/16" Flat, SAE (780452)	16
17	9.802-776.0	Nut, 5/16-18, ESNA	8
18	8.757-432.0	Bolt, 1/4-20 x 3/4, Carriage ST CL5 ZNPLT	13
	8.757-432.0	Bolt, 1/4-20 X 3/4, Carriage ST CL5 ZNPLT (model HHD 3.4/30 D)	11
19	9.197-010.0	1/4-20" Nylon Insert Lock Nut With Flange	13
	9.197-010.0	1/4-20" Nylon Insert Lock Nut With Flange (model HHD 3.4/30 D)	14
20	8.751-057.0	Cap Ratcheting, Fuel with gauge & tether	1
	9.802-089.0	Cap, Fuel, Plastic H60-AV1 (model HHD 3.4/30 D)	1
21	8.711-785.0	Hose, 3/8" Push-On, PER FT	10 1/4 "
22	9.802-141.0	Hose Barb, 1/4' Barb X 3/8' Barb, DOU	1
23	8.752-918.0	Clamp, Hose, #64 4.5-2.5 x 9/16 SS (except model HHD 3.4/30 D)	1
24	9.802-071.0	Trim, 750 B2 X 1/16. Black, /FT	4" (1PCS)
25	9.802-071.0	Trim, 750 B2 X 1/16. Black, /FT	2 5/8" (3PCS)
26	9.802-071.0	Trim, 750 B2 X 1/16. Black, /FT	11 5/16"
27	8.928-772.0	Canister Support (except model HHD 3.4/30 D)	1
28	8.751-059.0	Vent, Remote Assembly, Carb	1
29	8.753-066.0	Clamp, 1 Ear, 12.6mm - 14.5mm (#7)	6
	8.753-066.0	Clamp, 1 Ear, 12.6mm - 14.5mm (#7) (model HHD 3.4/30 D)	4
30	8.753-065.0	Clamp, 1 Ear, 15.7mm- 18.5mm (#10)	1
31	8.928-695.0	Slider Base Lower Hf	1
32	8.928-696.0	Pump Base High Flow	1
33	8.719-047.0	Washer, Nylon, .390 ID X 1 OD X .25 THK	2
34	8.725-549.0	Bolt, 3/8" X 7-1/2" HH	2
35	8.718-682.0	Bolt, 3/8-16 X 3-1/2, TAP, SS	1
36	9.802-071.0	Trim, 750 B2 X 1/16. Black, /FT	8 1/2" (4PCS)
37	9.802-512.0	Cable, Tie, 48"	2
38	9.198-004.0	3/8 USS F/W Zinc	8
39	Handle	See exploded view	

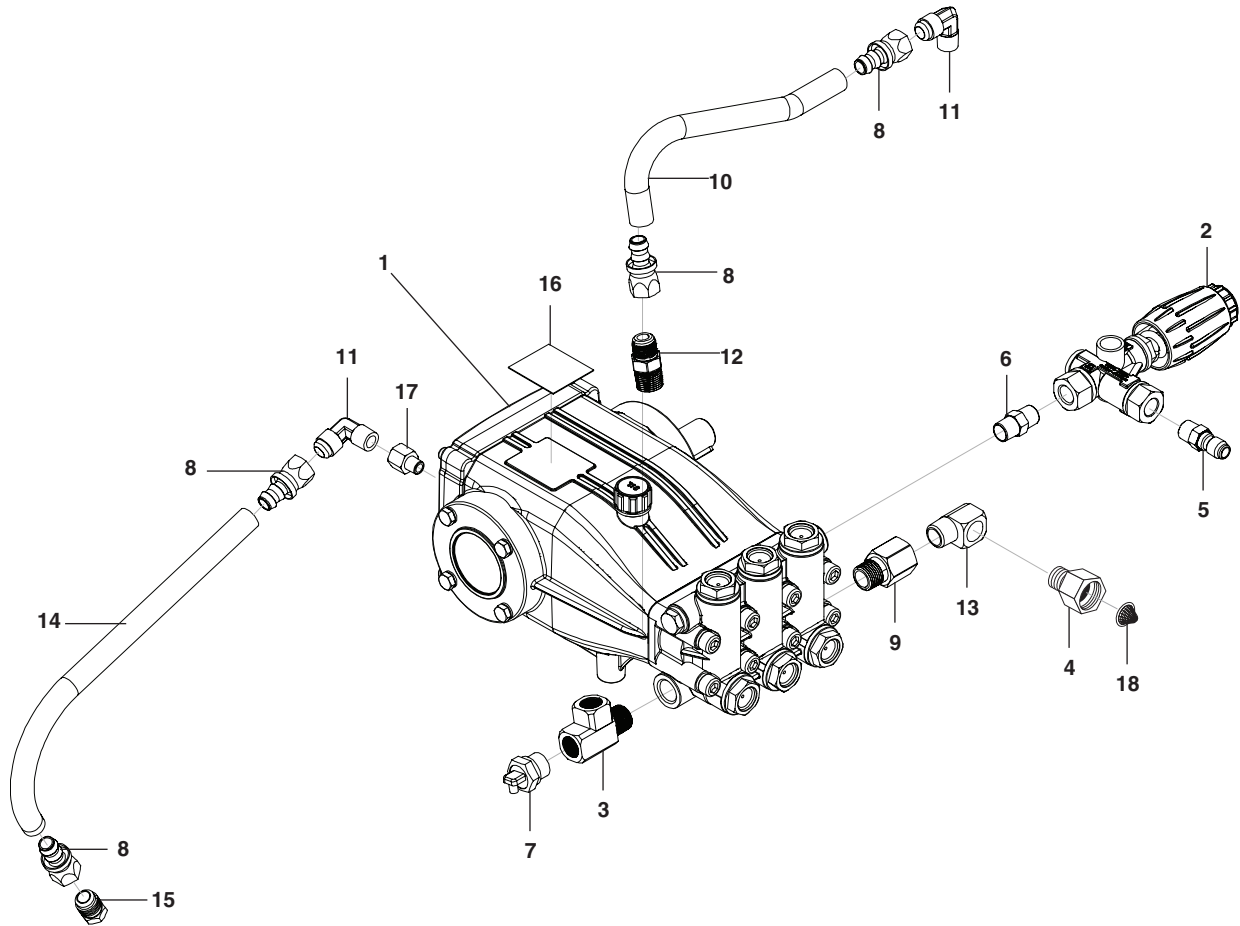
GENERIC LABELS HF SKID



GENERIC LABELS HF SKID PARTS LIST

ITEM	PART NO.	DESCRIPTION	QTY
1	9.800-049.0	Label, Manufacturer's Cleaning Solution	1
2	9.803-842.0	Label, Instructions, BR	1
3	8.783-038.0	Label, Universal DB Rating, Ear Protection	1
4	8.750-809.0	Label Operation Warn Trilingual Small	1
5	9.800-006.0	Label, Hot/Caliente W/Arrows	1
6	8.932-967.0	Label, Nozzle, 0, 15, 25, 40, & Soap (HHD 5/30 G, HHD 6/30 G and HHD 3.4/30D)	1
	8.757-476.0	Nozzle Label Black (HHD 8/35 G)	1
7	8.921-479.0	Label, Carb Compliance	1
8	9.800-001.0	Label, This Tank For Gas Only (HHD 5/30 G, HHD 6/30 G and HHD 8/35 G)	1
	8.932-960.0	Label, Diesel, Black On Yellow (HHD 3.4/30 G)	1
9	8.758-045.0	Label Logo Red Hotsy	1
10	8.757-836.0	Label Hotsy Red 6" X 2"	2

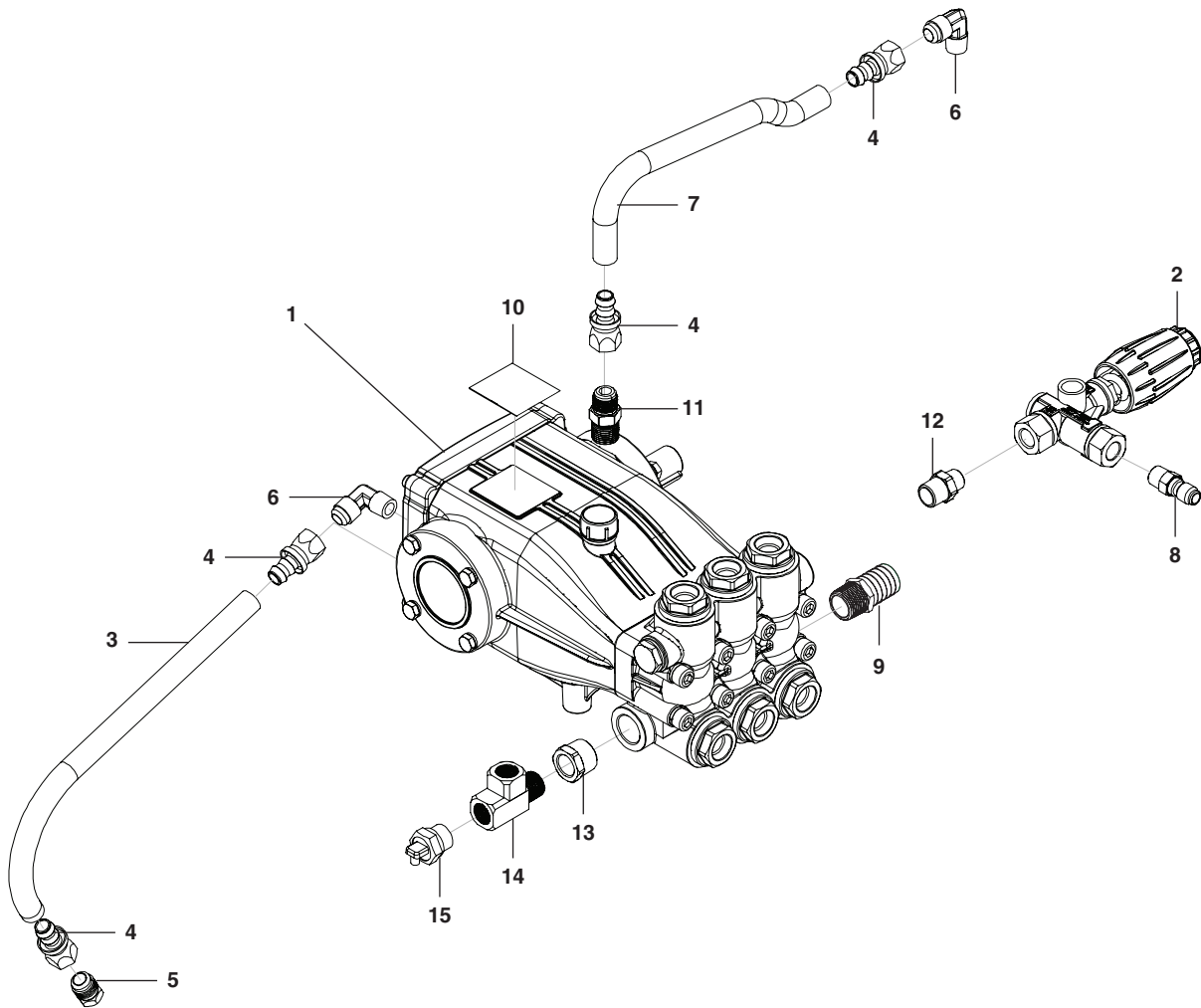
PUMP ASSEMBLY EXPLODED VIEW MODELS: HHD 5/30 G, HHD 6/30 G, HHD 3.4/30 D



PUMP ASSEMBLY EXPLODED VIEW PARTS LIST

ITEM	PART NO.	DESCRIPTION	QTY
1	8.753-535.0	Pump, Leuco LT6036R, 6.0@3600, 1450 RPM (Models HD 5/30G, HD 6/30G)	1
	8.750-755.0	Pump, LM3540R.3, 3.5@ 4000 1850RPM (Model HD 3.4/30D)	1
2	8.750-299.0	Unloader, VRT3, 8 GPM 1 @4500 PSI	1
3	8.757-257.0	Tee, Street 1/2"	1
4	8.757-203.0	Swivel, 1/2" M-NPTF x 3/4" GHF	1
5	8.757-341.0	Coupler steel zinc 3/8" plug male w/slnt	1
6	8.757-653.0	Nipple steel hex 3/8" NPTF x 3/8" BSPP	1
7	8.757-549.0	Pump protector 1/2 140°	1
8	9.802-151.0	Swivel, 1/2" BARB x 1/2"JIC, FEM/Brass	4
9	8.757-193.0	Adapter, 1/2" F-NPTF x 1/2" M-NPTF,Brass	1
10	9.802-259.0	Hose, 1/2" Push-On, /FT	9.5"
11	8.757-262.0	Elbow brass 1/2 SAE (M) x 3/8 NPTF (M)	2
12	8.757-200.0	Adapter brass 1/2 SAE (M) x 1/2 NPTF (M)	1
13	8.757-342.0	Elbow, 1/2" Street, Bbrass	1
14	9.802-259.0	Hose, 1/2" Push-On, /FT	12"
15	9.802-126.0	Plug, 1/2" JIC Flare, 639F-8	1
16	8.757-481.0	Label Pump Hotsy HT6036R. (Models HHD 5/30G, HHD 6/30G)	1
	8.918-800.0	Label, Hotsy HM3540R.3 Pump (Model HHD 3.4/30D)	1
17	8.706-993.0	Adapter, 3/8' X 3/8' (Model HD 3.4/30D)	1
18	9.804-016.0	Filter Screen Washer, Garden Hose/30MESH	1

PUMP ASSEMBLY EXPLODED VIEW MODEL: HHD 8/35 G



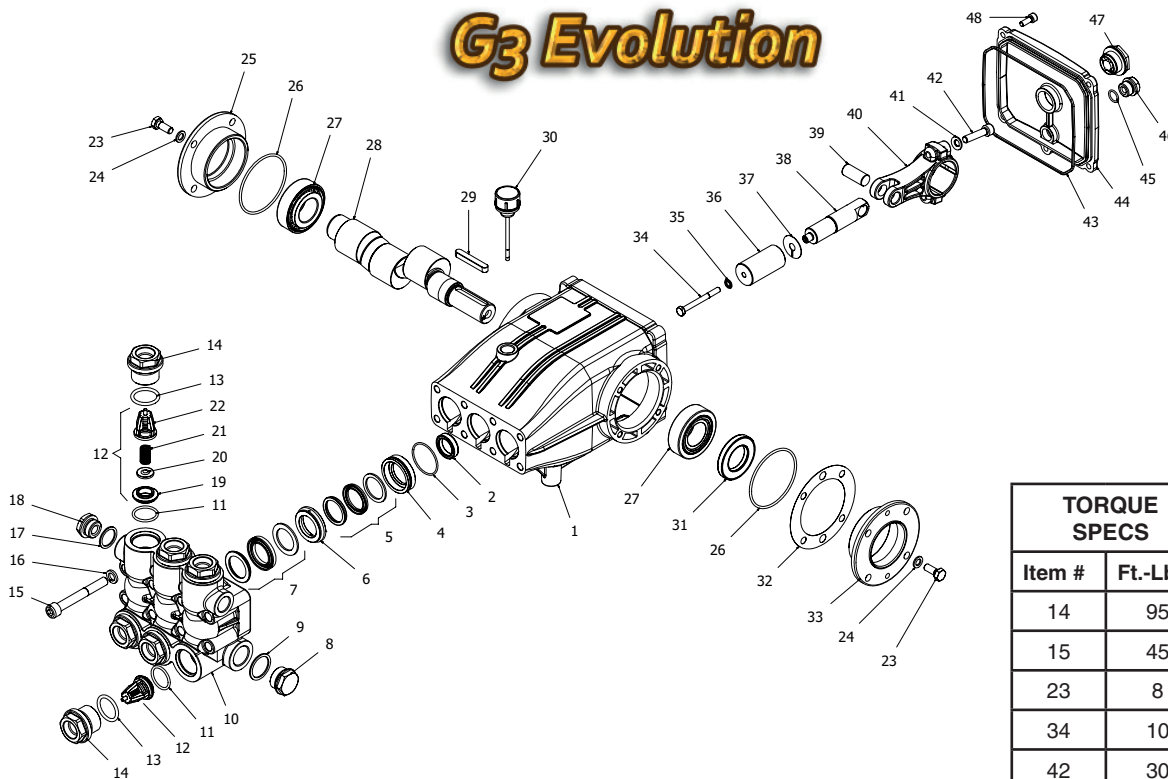
PUMP ASSEMBLY MODEL: HHD 8/35 G PARTS LIST

ITEM	PART NO.	DESCRIPTION	QTY
1	8.752-809.0	Pump, Leuco 8043R, 8@4350 1740RPM (Models HD 8/35 G)	1
2	8.750-299.0	Unloader, VRT3, 8 GPM @4500 PSI	1
3	9.802-259.0	Hose, 1/2" Push-On, /FT	12"
4	9.802-151.0	Swivel, 1/2" BARB x 1/2" JIC, Fem/Brass	4
5	9.802-126.0	Plug, 1/2" JIC Flare, 639F-8	1
6	8.757-262.0	Elbow brass 1/2 SAE (M) x 3/8 NPTF (M)	2
7	9.802-259.0	Hose, 1/2" Push-On, /FT	12"
8	8.757-341.0	Coupler steel zinc 3/8" plug male w/slnt	1
9	8.759-210.0	Adapter brass 3/4" NPT x 1" Hose Barb	1
10	8.757-478.0	Label pump Hotsy HX8043R.2 (Models HD 8/35 G)	1
11	8.757-200.0	Adapter brass 1/2 SAE (M) x 1/2 NPTF (M)	1
12	8.757-942.0	Nipple 3/8 X 1/2 Hex Steel	1
13	8.757-486.0	Bushing, 3/4" X 1/2", Brass	1
14	8.757-257.0	Tee, street 1/2"	1
15	8.757-549.0	Pump protector 1/2 140°	1

LT6036R PUMP EXPLODED VIEW

8.928-630.0 HT6036R.2 Right

G3 Evolution



TORQUE SPECS	
Item #	Ft.-Lbs.
14	95
15	45
23	8
34	10
42	30
48	8

LT6036R PUMP PARTS LIST

ITEM	PART NO.	DESCRIPTION	QTY	ITEM	PART NO.	DESCRIPTION	QTY
1	8.752-825.0	Crankcase	1	19	See Kit Below	Valve Seat	6
2*	See Kit Below	Plunger Oil Seal	3	20	See Kit Below	Valve Plate	6
3*	See Kit Below	O-Ring Ø1.78 x 37.82	3	21	See Kit Below	Valve Spring	6
4*	See Kit Below	"Pressure Ring, Brass	3	22	See Kit Below	Valve Cage	6
5*	See Kit Below	"U" Seal 18mm	3	23	8.725-830.0	Hexagonal Screw	8
6*	See Kit Below	Intermediate Ring, 18mm	3	24	9.802-884.0	Washer	8
7*	See Kit Below	"U" Seal, 18mm	3	25	9.803-182.0	Closed Bearing Housing	1
8	9.802-926.0	Brass Plug, G1/2	1	26	9.803-186.0	O-Ring Ø2.62 x 71.12	2
9	9.803-199.0	Cooper Washer 1/2	1	27	9.803-160.0	Roller Bearing	2
10	8.753-816.0	Manifould Housing	1	28	8.753-818.0	Crankshaft Ø24 (4540)	1
11*	9.804-498.0	O-Ring Ø2.62 x 25.1	6		8.752-827.0	Crankshaft Ø24 (6036)	1
12*	See Kit Below	Valve Assembly	6	29	9.803-167.0	Crankshaft Key	1
13*	9.803-193.0	O-Ring 3068	6	30	8.752-834.0	Oil Dipstick	1
14	9.802-928.0	Valve Plug	6	31	9.803-139.0	Crankshaft Seal	1
15	8.753-817.0	Manifould Stud Bolt	8	32	9.803-177.0	Shim	2
16	9.802-890.0	Lock Washer	8	33	9.803-181.0	Bearing Housing	3
17	8.719-008.0	Cooper Washer 3/8	1	34*	8.752-841.0	Plunger Bolt	3
18	8.707-262.0	Brass Plug 3/8	1	35*	8.752-820.0	Bonded Seal	3

LT6036R PUMP PARTS LIST

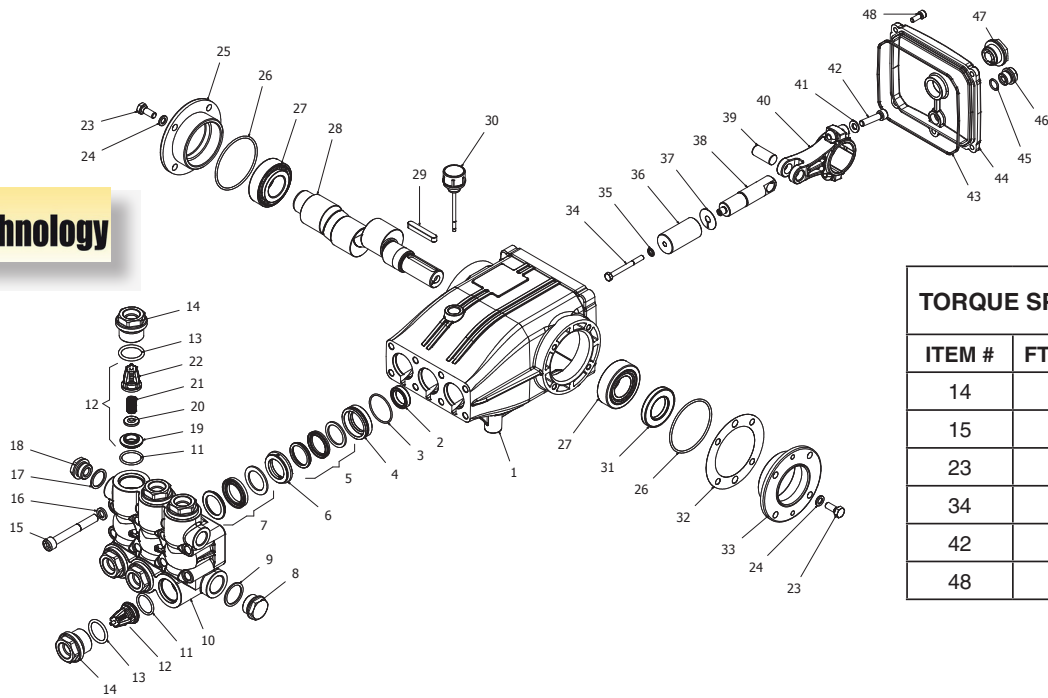
ITEM	PART NO.	DESCRIPTION	QTY
36*	8.753-819.0	Plunger 18mm	3
37*	8.752-823.0	Copper Spacer	3
38	See Kit Below	Plunger Rod	3
39	8.752-822.0	Connecting Rod Pin	3
40	8.752-821.0	Connecting Rod	3
41	9.802-889.0	Spring Washer	6
42	9.802-937.0	Connecting Rod Screw	6
43	9.803-194.0	O-Ring Ø2.62 x 152.07	1
44	8.752-826.0	Crankcase Cover	1
45	9.803-906.0	O-Ring Ø1.78 x 14.00	1
46	8.707-262.0	Brass Plug G 3/8	1
47	9.803-202.0	Sight Glass G3/4	1
48	8.752-824.0	Cover Screw	5

* Part available in kit (See below)

REPAIR KIT NUMBER	8.753-821.0	8.753-822.0	8.753-823.0	8.753-824.0	8.752-835.0
KIT DESCRIPTION	Plunger Seal 18mm	Seal Packing 18mm	Plunger 18mm	Complete Valve	Plunger Oil Seals
ITEM NUMBERS INCLUDED	3,5,7	3,4,5,6,7	34,35,36,37	11,12,13	2
NUMBER OF CYLINDERS KIT WILL SERVICE	3	1	1	6	3

HX8043R PUMP EXPLODED VIEW

8.928-642.0 HX8043R.2 Right



TORQUE SPECS	
ITEM #	FT. LBS.
14	95
15	45
23	8
34	10
42	30
48	8

HX8043R PUMP PARTS LIST

ITEM	PART NO.	DESCRIPTION	QTY	ITEM	PART NO.	DESCRIPTION	QTY
1	8.752-825.0	Crankcase	1	19	See Kits Below	Valve Seat	6
2*	See Kits Below	Plunger Oil seal	3	20	See Kits Below	Valve Plate	6
3*	See Kits Below	O-Ring Ø1.78 x 37.82	3	21	See Kits Below	Valve Spring	6
4*	See Kits Below	Pressure Ring	3	22	See Kits Below	Valve Cage	6
5*	See Kits Below	U-Seal, 25mm	3	23	8.752-830.0	Hex Screw	8
6*	See Kits Below	Intermediate Ring	3	24	9.802-884.0	Washer	8
7*	See Kits Below	U-Seal	3	25	9.803-182.0	Closed Bearing Housing	1
8*	9.803-285.0	Brass Plug, G3/4"	1	26	9.803-186.0	O-Ring Ø2.62 x 71.12	2
9	9.803-286.0	Washer, Copper 3/4"	1	27	9.803-160.0	Roller Bearing	2
10	8.752-831.0	Manifold Housing Ø22/Ø20	1	28	8.752-828.0	Crankshaft Ø25 (5843)	1
11	8.752-836.0	O-Ring Ø2.62 x 21.89	6	28	8.752-829.0	Crankshaft Ø25 (8043, 9536)	1
12*	See Kits Below	Valve Assembly	6	28	8.752-827.0	Crankshaft Ø25 (1036)	1
13*	9.803-287.0	O-Ring Ø3.53 x 25.80-134	6	29	9.803-293.0	Crankshaft Key	1
14	8.752-855.0	Valve Plug	6	30	8.752-834.0	Oil Dop Stick	1
15	8.752-833.0	Manifold Stud Bolt	8	31	9.803-139.0	Crankshaft Seal	1
16	9.802-890.0	Lock Washer	8	32	9.803-177.0	Shim	2
17	9.803-199.0	Copper Washer 1/2"	1	33	9.803-181.0	Bearing Housing	1
18	9.802-926.0	Brass Plug 1/2"	1	34*	8.752-841.0	Plunger Bolt	3

HX8043R PUMP PARTS LIST

ITEM	PART NO.	DESCRIPTION	QTY
35*	8.752-820.0	Bonded Seal	1
36*	8.752-846.0	Plunger, 20mm (5843, 8043)	3
	8.752-847.0	Plunger, 22mm (9539, 1036)	3
37*	8.752-823.0	Copper Spacer	3
38*	8.752-842.0	Plunger Rod	3
39*	8.752-822.0	Connecting Rod Pin	3
40	8.752-821.0	Connecting Rod	3
41*	9.802-889.0	Spring Washer	6
42*	9.802-937.0	Connecting Rod Screw	6
43	9.803-194.0	O-Ring Ø2.62 x 152.07	1
44	8.752-826.0	Crankcase Cover	1
45	9.803-906.0	O-Ring Ø1.78 x 14.00	1
46	8.707-262.0	Brass Plug G3/8"	1
47	9.803-202.0	Sight Glass G3/4"	1
48	8.752-824.0	Cover Screw	5

*Available in Kit (See Below)

REPAIR KIT NO.	8.752-843.0	8.725-844.0	8.725-849.0	8.725-850.0	8.752-838.0	8.752-839.0	8.752-853.0	8.752-835.0
KIT DESCRIPTION	Plunger Seal 20 mm (5843, 8043)	Plunger Seal 22 mm (9536, 1036)	Seal Packing 22 mm (5843, 8043)	Seal Packing 22 mm (9536, 1036)	Plunger 20 mm (5843, 8043)	Plunger 22 mm (9536, 1036)	Complete Valve	Plunger Oil Seals
ITEM NUMBERS INCLUDED	3, 5, 7	3, 5, 7	3, 4, 5, 6, 7	3, 4, 5, 6, 7	34, 35, 36, 37	34, 35, 36, 37	11, 12, 13	2
NO. OF CYLINDERS KIT WILL SERVICE	3	3	1	1	1	1	6	6

CONTENIDO

Información Importante de Seguridad	34 - 36
Identificación de Componentes	37
Instrucciones de Ensamble.....	38
Instrucciones de Operación.....	39 - 40
Instalación.....	41
Mantenimiento	42
Detergente y Técnicas de Limpieza General.....	43
Apagado y Limpieza	43
Almacenamiento	44
Mantenimiento Preventivo (Modelos: HHD 5/30 G, HHD 6/30 G, HHD 8/35 G, HHD 3.4/30 D).....	45
Solución de problemas (Modelos: HHD 5/30 G, HHD 6/30 G, HHD 8/35 G, HHD 3.4/30 D).....	46 - 48
Registro de Cambio de Aceite.....	49
Lista de Partes de Repuesto	50 - 64

Número de Modelo _____

Número de Serie _____

Fecha de Compra _____

Los números de modelo y de serie se encuentran en una calcomanía adherida a la lavadora a presión. Debe registrar tanto el número de serie como la fecha de compra y guardar en un lugar seguro para futura referencia.

INTRODUCCIÓN E INFORMACIÓN IMPORTANTE DE SEGURIDAD

Gracias por comprar esta lavadora a presión. Nos reservamos el derecho de realizar cambios en cualquier momento sin incurrir en ninguna obligación.

Responsabilidad del propietario y/o usuario:

El propietario y/o usuario deben comprender las instrucciones y advertencias de operación del fabricante antes de usar esta lavadora a presión. Se debe enfatizar y entender la información de advertencia. Si el operador no habla inglés con fluidez, el comprador y/o propietario deberá leer y discutir las instrucciones y advertencias del fabricante en el idioma nativo del operador, asegurándose de que el operador comprenda su contenido.

El propietario y/o usuario deben estudiar y conservar las instrucciones del fabricante para futura referencia.

El operador debe saber cómo detener la máquina rápidamente y comprender el funcionamiento de todos los controles. Nunca permita que alguien opere el motor sin las instrucciones apropiadas.

CONSERVE ESTAS INSTRUCCIONES

Este manual debe considerarse una parte permanente de la máquina y debe permanecer con ésta si la máquina se vuelve a vender.

Al ordenar partes, especifique el modelo y el número de serie. Utilice únicamente partes de reemplazo idénticas.

Esta máquina debe ser utilizada únicamente por operadores capacitados.

INFORMACIÓN IMPORTANTE DE SEGURIDAD

ADVERTENCIA



LEA EL MANUAL DEL OPERADOR CUIDADOSAMENTE ANTES DE USAR

ADVERTENCIA: Para reducir el riesgo de lesiones, lea cuidadosamente las instrucciones de operación antes de usar.

1. Lea el manual del propietario minuciosamente. El incumplimiento de las instrucciones podría ocasionar una falla de la máquina y provocar la muerte, lesiones corporales graves y/o daños materiales.
2. Sepa cómo detener la máquina y purgar la presión rápidamente. Familiarícese completamente con los controles.
3. Permanezca alerta — observe lo que está haciendo.

ADVERTENCIA



MANTENGA EL ROCÍO DEL AGUA ALEJADO DEL CABLEADO ELÉCTRICO

ADVERTENCIA: Mantenga la varilla, la manguera y el rocío de agua lejos del cableado eléctrico, ya que podrían producirse descargas eléctricas fatales.

4. Todas las instalaciones deben cumplir con los códigos locales. Póngase en contacto con su electricista, plomero, empresa de servicios públicos o con el distribuidor de venta para obtener detalles específicos.

ADVERTENCIA



SE DEBE USAR PROTECCIÓN PARA LOS OÍDOS

ADVERTENCIA: Esta máquina supera los 85 db, se debe usar protección auditiva adecuada.

ADVERTENCIA



UTILICE PROTECCIÓN PARA LOS OJOS Y ROPA DE PROTECCIÓN AL OPERAR ESTE EQUIPO

ADVERTENCIA: El rociado a alta presión puede hacer que las partículas de pintura u otras partículas se transporten por aire y vuelen a altas velocidades. Para evitar lesiones personales, se deben usar dispositivos de seguridad para los ojos, manos y pies.

5. Se debe usar protección para los ojos, las manos y los pies al usar este equipo.
6. Mantenga el área de operación libre de personas.

ADVERTENCIA



RIESGO DE EXPLOSIÓN: OPERAR SÓLO DONDE SE PERMITA LLAMAS ABIERTAS O SOPLETE

ADVERTENCIA: Los líquidos inflamables pueden generar vapores que pueden encenderse y causar daños a la propiedad o lesiones graves.

ADVERTENCIA: Riesgo de explosión — Opere sólo donde se permitan llamas abiertas o soplete.

ADVERTENCIA



RIESGO DE INCENDIO: NO AGREGAR COMBUSTIBLE CUANDO SE OPERA LA MAQUINA

ADVERTENCIA: Riesgo de incendio — No agregue combustible cuando el producto está en funcionamiento o aún está caliente.

ADVERTENCIA: No utilice el drenaje del cárter de gasolina ni aceite que contenga gasolina, solventes o alcohol. Hacerlo resultará en incendio y/o explosión.

INFORMACIÓN IMPORTANTE DE SEGURIDAD

ADVERTENCIA: Riesgo de incendio — No rocíe líquidos inflamables.

ADVERTENCIA: Este producto contiene sustancias químicas reconocidas por el estado de California como causantes de cáncer y defectos de nacimiento u otros daños reproductivos. La operación de este equipo puede crear chispas que pueden iniciar incendios alrededor de la vegetación seca. Puede requerirse un supresor de chispas. El operador debe ponerse en contacto con: Agencias locales de bomberos respecto a las leyes o regulaciones relacionadas con los requisitos de prevención de incendios.

7. Permita que el motor se enfríe durante 1-2 minutos antes de cargar combustible. Si se derrama combustible, asegúrese que el área esté seca antes de probar la bujía o arrancar el motor. (Se puede producir un incendio y/o explosión si esto no se hace.)

Los motores de gasolina en equipos móviles o portátiles se deberán cargar de combustible:

- a. en exteriores;
- b. con el motor del equipo detenido;
- c. sin fuente de ignición dentro de 10 pies del punto de dispensación; y
- d. con un margen para la expansión del combustible en caso que el equipo esté expuesto a una temperatura ambiente más alta.

En una situación de sobrellenado, son necesarias precauciones adicionales para garantizar que la situación se maneje de manera segura.

8. Cuando esté en uso, no coloque la máquina cerca de objetos inflamables ya que el motor está caliente.
9. No almacene ni use gasolina cerca de esta máquina.



ADVERTENCIA: Riesgo de lesiones. Las superficies calientes pueden causar quemaduras. Use sólo las áreas de agarre designadas de la pistola rociadora y la varilla. No coloque las manos o los pies en áreas sin aislamiento de la lavadora a presión.

10. Transporte y repare con el tanque de combustible VACÍO o con la válvula de cierre de combustible CERRADA.
11. Para reducir el riesgo de lesiones, es necesaria una estrecha supervisión cuando se utiliza una máquina cerca de niños. No permita que los niños operen la lavadora a presión. **Esta máquina debe ser atendida durante la operación.**



ADVERTENCIA: Sujete la varilla de limpieza firmemente con ambas manos antes de comenzar. De lo contrario, podría sufrir lesiones a partir de un latigazo de la varilla.

12. Nunca realice ajustes en la máquina mientras esté en funcionamiento.
13. Asegúrese que todos los accesorios del acoplador rápido estén asegurados antes de usar la lavadora a presión.



ADVERTENCIA: La alta presión desarrollada por estas máquinas causará lesiones personales o daños al equipo. Manténgase alejado de la boquilla. Tenga cuidado al operar. No dirija el flujo de descarga a las personas, ya que se producirán lesiones graves o la muerte.



ADVERTENCIA: Proteja la máquina contra congelamiento.

14. Para mantener la máquina en las mejores condiciones de funcionamiento, es importante que proteja la máquina contra congelamiento. Si no protege la máquina contra congelamiento podría ocasionar una falla de la máquina y causar la muerte, lesiones corporales graves y/o daños a la propiedad. Siga las instrucciones de almacenamiento especificadas en este manual.
15. El agua de entrada debe ser agua limpia y no debe estar a más de 90°F



ADVERTENCIA: Riesgo de asfixia. Use este producto sólo en un área bien ventilada.

16. La operación de este producto en interiores puede provocar la muerte debido al monóxido de carbono, un gas venenoso que no se puede ver ni oler. Nunca opere en interiores, incluso si las ventanas y puertas están abiertas. Use

INFORMACIÓN IMPORTANTE DE SEGURIDAD

sólo en exteriores y lejos de ventanas, puertas y aberturas o conductos de ventilación.

17. El fabricante no será responsable de los cambios realizados en nuestras máquinas estándar o de los componentes que no se compren a nosotros.
18. El mejor seguro contra un accidente es la precaución y el conocimiento de la máquina.

⚠ ADVERTENCIA



ADVERTENCIA: *Tenga mucho cuidado al usar una escalera, andamios o cualquier otra ubicación relativamente inestable. El área de limpieza debe tener pendientes y drenaje adecuados para reducir la posibilidad de una caída debido a las superficies resbaladizas.*

19. No permita que ácidos, fluidos cáusticos o abrasivos pasen a través de la bomba.

⚠ ADVERTENCIA



ADVERTENCIA: *Si se realiza la conexión al suministro de agua portátil, se debe proporcionar un dispositivo de flujo de retorno.*

20. Nunca haga funcionar la bomba en seco ni deje la pistola rociadora cerrada por más de 1-2 minutos.
21. Las máquinas con pistola rociadora de cierre no deben operarse con la pistola rociadora en la posición de apagado durante largos períodos de tiempo, ya que esto puede dañar la bomba.
22. Proteja la manguera de descarga del tráfico de vehículos y objetos afilados. Revise la condición de la manguera de alta presión antes de usarla o podría causar lesiones corporales.
23. Antes de desconectar la manguera de descarga de la salida de agua, abra la pistola rociadora para aliviar la presión.
24. No sobrepase ni se pare sobre un soporte inestable. Mantenga una buena posición para los pies y equilibrio en todo momento.
25. No opere esta máquina cuando esté fatigado o bajo la influencia del alcohol, medicamentos recetados o drogas.
26. **ADVERTENCIA:** *Use protección para los ojos, las manos y la piel cuando manipule o conecte la batería.*

Las baterías generan gases explosivos durante el funcionamiento normal de la batería.

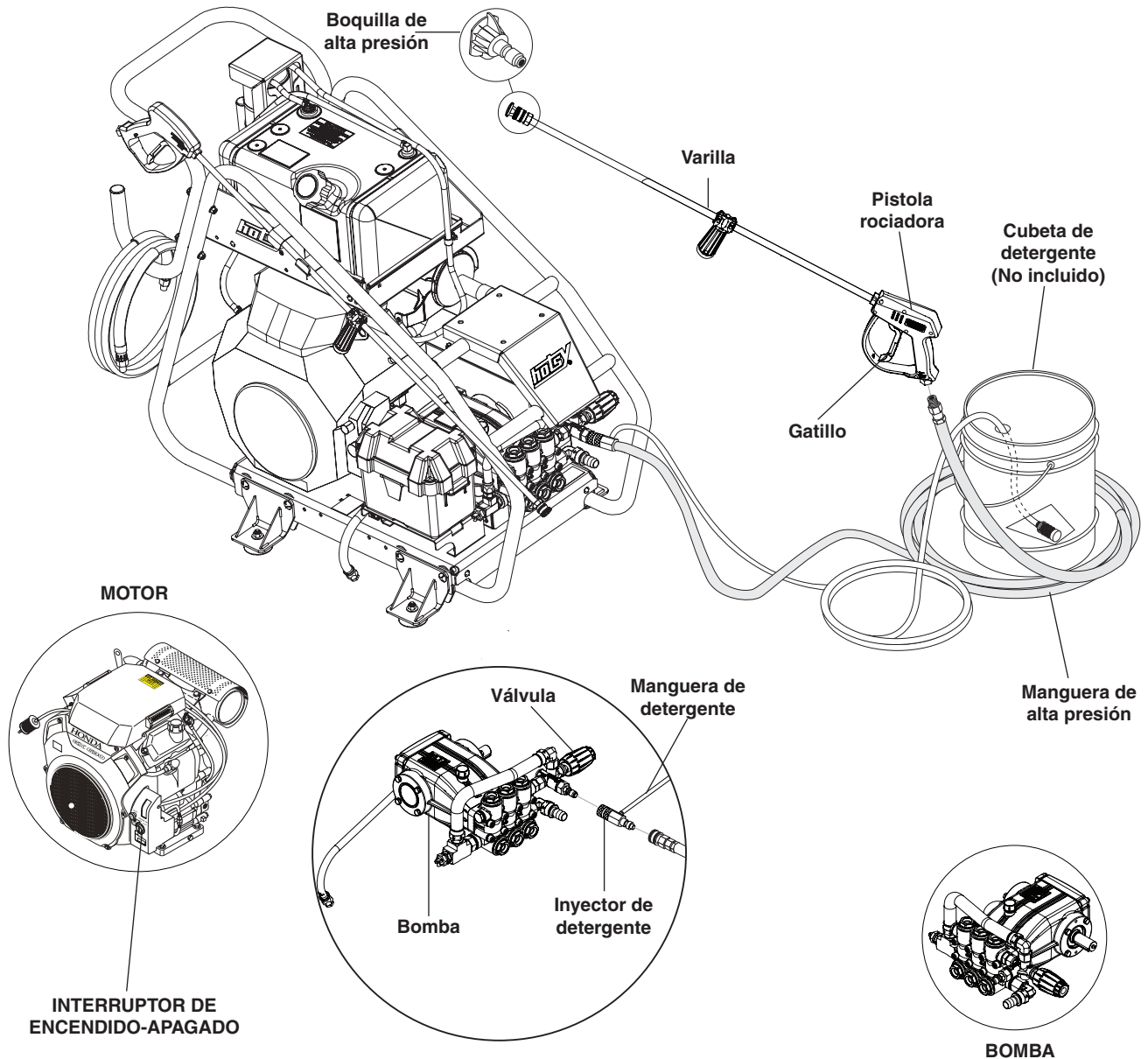
NO exponga la batería a llamas o chispas ya que estos gases pueden encenderse.

El fluido de la batería es altamente ácido. Si el líquido de la batería entra en contacto con la piel o la ropa, lávese inmediatamente con agua y jabón. Si el líquido de la batería entra en los ojos, lave inmediatamente con agua fría durante al menos 15 minutos y obtenga atención médica de inmediato.



Siga las instrucciones de mantenimiento especificadas en el manual.

IDENTIFICACIÓN DE COMPONENTES



Bomba — Desarrolla alta presión.

Agarre de Arranque — Se utiliza para arrancar el motor manualmente.

Pistola rociadora — Controla la aplicación de agua y detergente en la superficie de limpieza con un dispositivo de gatillo. Incluye pestillo de seguridad.

Válvula de descarga — Dispositivo de seguridad que permite liberar la presión cuando la pistola rociadora está cerrada.

Inyector de detergente — Le permite extraer y mezclar los detergentes (No incluido con la máquina).

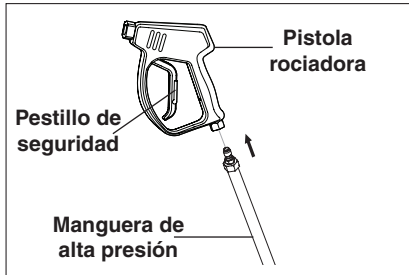
Varilla — Debe estar conectada a la pistola rociadora.

Manguera de alta presión — Conecte un extremo a la boquilla de descarga de la bomba de agua y el otro extremo a la pistola rociadora.

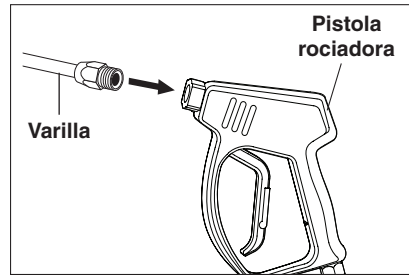
Protector de bomba — Circula el agua fresca a través de la bomba cuando la re-circulación del agua alcanza los 140°F.

Nota: Si se suelta el gatillo de la pistola rociadora durante más de 1-2 minutos, el agua saldrá de la válvula. El agua caliente se descargará del protector de la bomba al piso. Este sistema evita daños internos a la bomba.

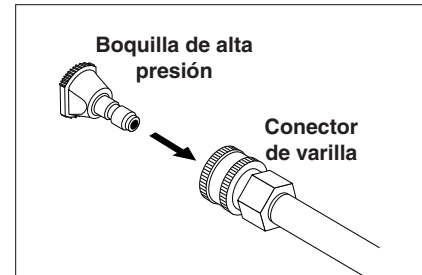
INSTRUCCIONES DE ENSAMBLE



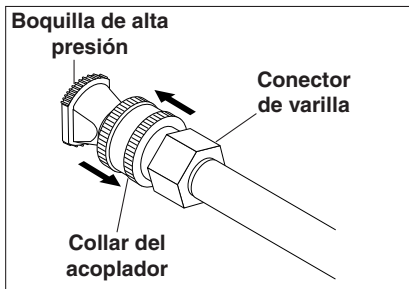
PASO 1: Conecte la manguera de alta presión a la pistola rociadora con cinta de teflón en las roscas de la manguera.



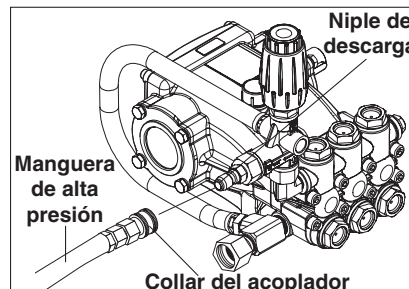
PASO 2: Conecte la varilla a la pistola rociadora usando cinta de teflón en las roscas de la varilla.



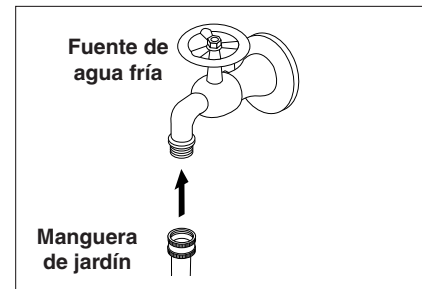
PASO 3: Jale el collar cargado por resorte del acoplador de varilla hacia atrás para insertar la boquilla de presión de su elección.



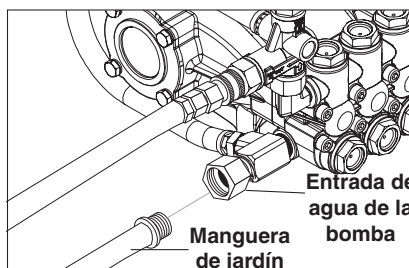
PASO 4: Suelte el collar del acoplador y empuje la boquilla hasta que haga clic. Jale la boquilla para asegurarse que esté bien asentada.



PASO 5: Conecte la manguera de alta presión al niple de descarga. Empuje el collar del acoplador hacia adelante hasta que esté seguro.

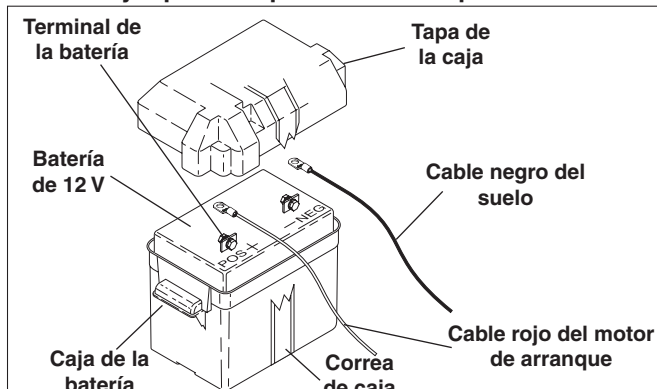


PASO 6: Conecte la manguera de jardín a la fuente de agua fría.



PASO 7: Conecte la manguera de suministro de agua a la entrada de agua de la bomba. **PRECAUCIÓN:** No opere la bomba sin agua o resultará en daños a la misma.

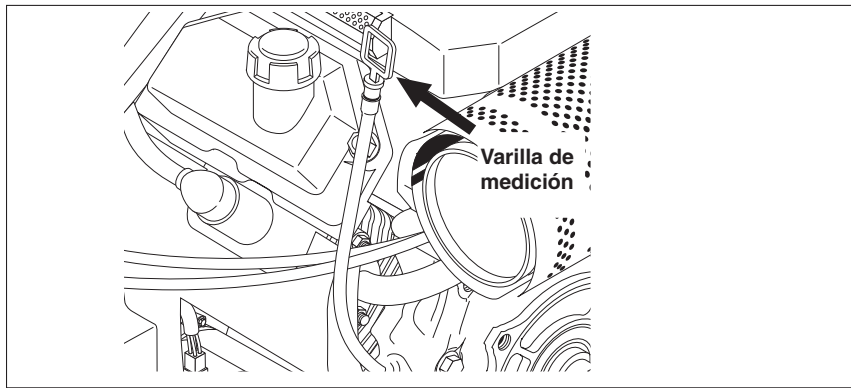
PASOS 8 y 9 para máquinas de arranque eléctrico



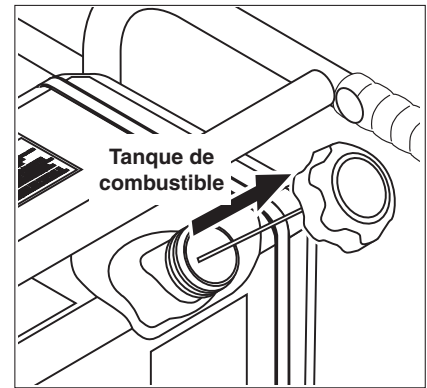
PASO 8: Coloque la batería en la caja de la batería. Use una batería de 12 V con una capacidad mínima de 24AH.

PASO 9: Para reducir la posibilidad de chispas, conecte los cables a la batería en el siguiente orden. Consulte la imagen a un lado. Primero conecte el cable rojo a la terminal positiva "+" de la batería y el cable negro a la terminal negativa "-" de la batería. Para desconectar la batería, retire los cables en el orden opuesto al instalado. Instale la cubierta de la caja de la batería y fíjela en su lugar.

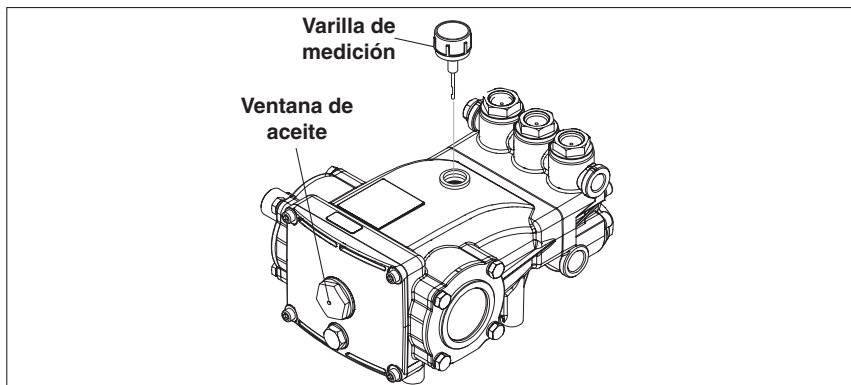
INSTRUCCIONES DE OPERACIÓN



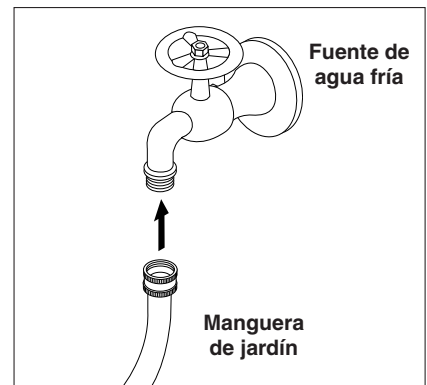
PASO 1: Verifique el nivel de aceite del motor. El nivel de aceite debe estar nivelado con la parte inferior del cuello de llenado de aceite. Asegúrese que la máquina esté nivelada cuando verifique el nivel de aceite. (Consulte el manual de operación del motor incluido con la máquina). Recomendamos cambiar el aceite después de las primeras 20 horas de uso, y después una vez cada 100 horas. **Nota:** Los niveles de aceite incorrectos harán que el sensor de aceite bajo apague el motor. **¡IMPORTANTE! No opere el motor con niveles de aceite altos o bajos, ya que esto podría dañar el motor.**



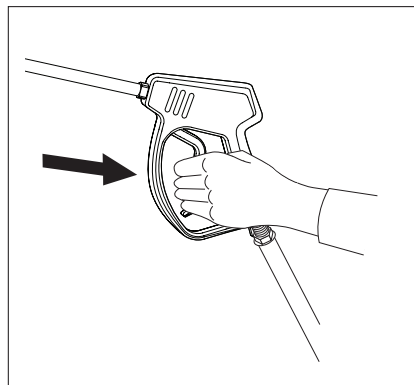
PASO 2: Llene el tanque de combustible con el combustible apropiado (gasolina sin plomo o diésel como se indica en el tanque). No utilice gasolina con plomo.



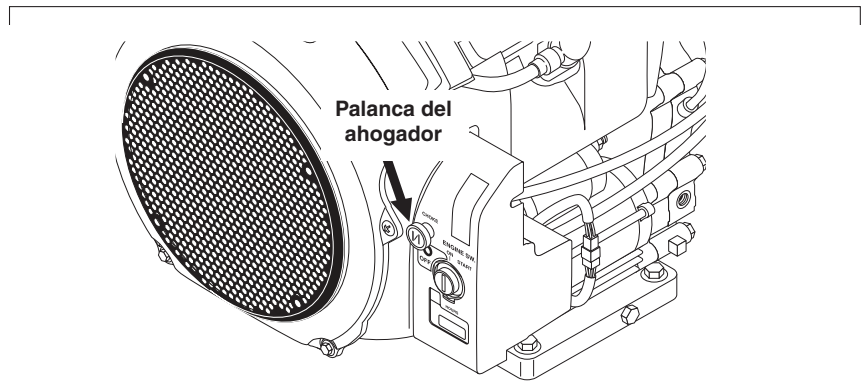
PASO 3: Retire la tapa de embarque e instale la varilla de medición de aceite. Verifique el nivel de aceite de la bomba con una varilla de medición u observe el nivel de aceite en la ventana de aceite (si está equipado). Use aceite no detergente 10W-40.



PASO 4: Conecte la manguera de jardín a la fuente de agua fría y abra el agua completamente. Nunca use agua caliente.

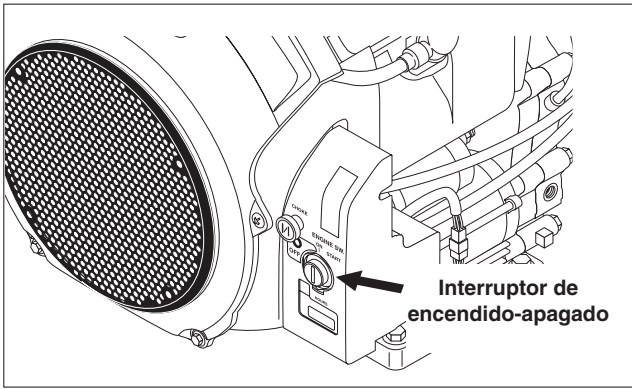


PASO 5: Active la pistola rociadora para eliminar el aire atrapado y espere a que salga un flujo constante de agua de la boquilla rociadora.

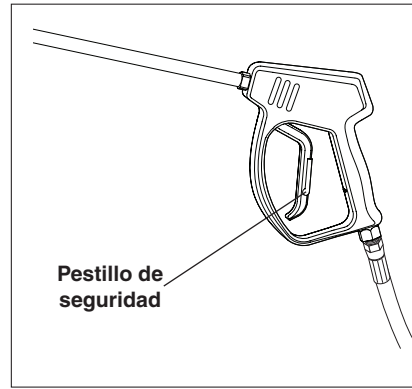


PASO 6: Jale la palanca del estrangulador hasta la posición "Choke" (en un motor caliente, deje la palanca del ahogador en la posición de operación). Empuje la palanca del estrangulador a la posición "Closed" (Cerrado). Para volver a arrancar un motor caliente, deje la palanca del estrangulador en la posición "Open" (Abrir).

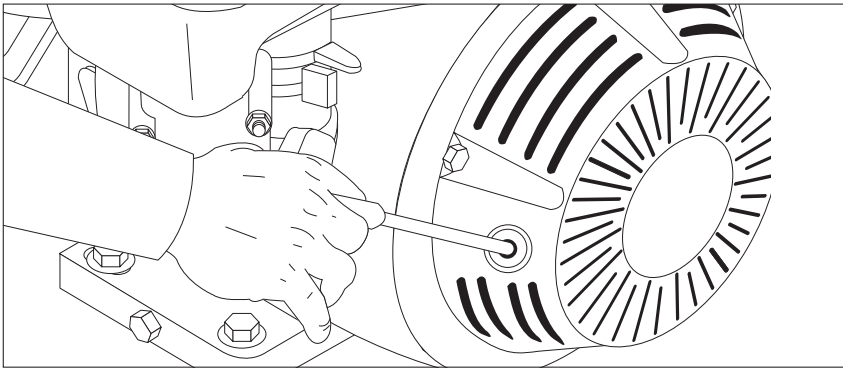
INSTRUCCIONES DE OPERACIÓN



PASO 7: Gire el interruptor del motor a la posición "ON".

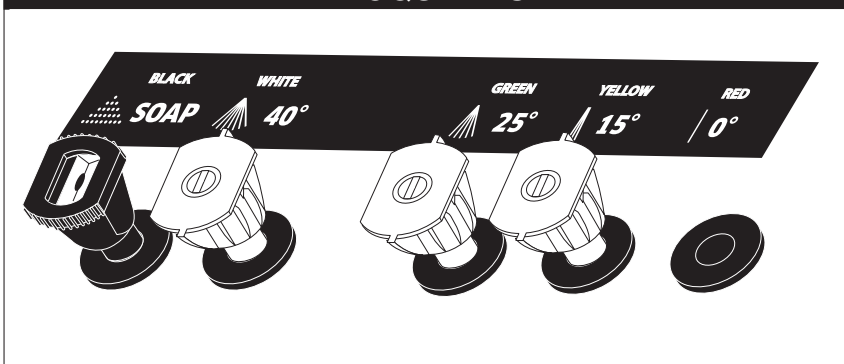


¡ADVERTENCIA! Nunca reemplace las boquillas sin activar el pestillo de seguridad en el gatillo de la pistola rociadora.



¡ADVERTENCIA! El retroceso (retracción rápida) del cable de arranque puede provocar lesiones corporales. El retroceso jalará la mano y el brazo hacia el motor más rápido de lo que usted puede soltarlo. SIEMPRE libere la presión de la pistola rociadora antes de tirar del cable de arranque. Jale la cuerda de arranque lentamente hasta sentir una resistencia, luego jale rápidamente.

BOQUILLAS



Las cuatro boquillas de conexión rápida con códigos de color proporcionan una amplia gama de anchos de rocío de 15° a 40° y son fácilmente accesibles cuando se colocan en el conveniente soporte de boquilla de hule, que se proporciona en la parte delantera de la máquina.

NOTA: Para un enjuague más suave, seleccione la boquilla blanca de 40° o verde de 25°. Para limpiar la superficie, seleccione la boquilla amarilla de 15°. Para aplicar detergente, seleccione la boquilla negra.

INSTALACIÓN

COMENZAR LA INSTALACIÓN

IMPORTANTE: *La instalación inicial correcta del equipo asegurará un desempeño más satisfactorio, una vida útil más prolongada y un menor costo de mantenimiento.*

IMPORTANTE: *Se recomienda el uso de un dispositivo de prevención de contra flujo en la manguera de suministro de agua y puede ser requerido por el código local.*

IMPORTANTE: *NO opere la máquina en interiores o en un área cerrada donde existan altas temperaturas ambientales. Las altas temperaturas ambientales (mayores a 100° F) pueden causar una falla del aceite del motor y reducirán en gran medida el desempeño del motor.*

VENTILACIÓN

PRECAUCIÓN: *Toda la ventilación debe ser de acuerdo con las leyes federales y estatales aplicables, y las ordenanzas locales. Consulte a contratistas locales de calefacción.*

INSTALACIÓN

Si la lavadora a presión se va a usar en un área encerrada, se debe instalar una chimenea para ventilar el escape del motor a la atmósfera exterior. Una corriente deficiente hará que la lavadora a presión no funcione correctamente.

Al seleccionar la ubicación para la instalación, tenga cuidado con las ubicaciones ventiladas deficientes o las áreas donde los extractores pueden causar un suministro insuficiente de oxígeno.

La combustión adecuada sólo se puede obtener cuando hay suficiente suministro de oxígeno disponible para la cantidad de combustible que se está quemando. Si es necesario instalar la máquina en un área con poca ventilación, se deberá suministrar aire fresco exterior.

Ubique la lavadora a presión de forma que la chimenea sea lo más recta posible y sobresalga a través del techo a una altura y ubicación adecuadas para proporcionar una corriente adecuada.

Esta lavadora a presión a base de aceite debe tener un regulador de corriente instalado en la chimenea (disponible a partir de la mayoría de los contratistas de calefacción). Un regulador de corriente permitirá un flujo ascendente adecuado de los gases de escape.

SUMINISTRO DE AGUA

Su suministro de agua debe proporcionar agua al equipo que exceda la tasa de galones por minuto (GPM) de su máquina. Puede verificar su GPM usando una cubeta de 5 galones y un temporizador. Si su máquina

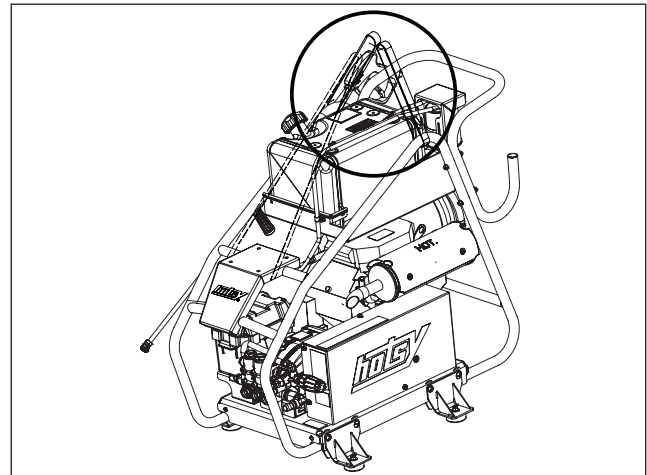
es de 5 GPM o menos y la cubeta se llena en menos de un minuto, tiene un suministro adecuado. Algunos sistemas de suministro de agua se ven afectados por cosas tales como lavadoras, sistemas de riego de ganado y descarga de inodoros. Asegúrese que el suministro sigue siendo adecuado cuando se llevan a cabo estas operaciones. El cañón de temperatura del agua supera los 145 grados Fahrenheit en los modelos estándar y 180 grados Fahrenheit en los modelos de alta temperatura y la presión no debe superar los 60 PSI. Si no asegura el suministro de agua adecuado a su lavadora a presión comercial, resultará en daño a la bomba.

¡NO OPERE LA BOMBA SECA!

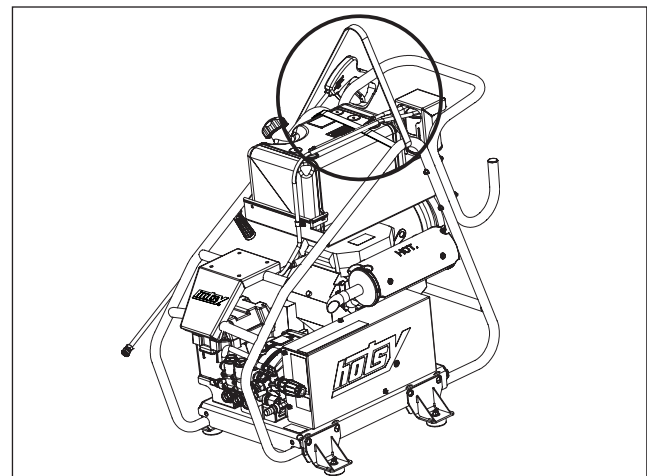
ANTES DE ARRANCAR

Conecte la manguera de suministro de agua a la entrada de agua (conector de manguera de jardín estándar). El grifo de agua y la manguera de suministro deben ser capaces de proporcionar la tasa (GPM) de su máquina.

Recomendación para levantar la máquina.



No levante la máquina. Consulte la imagen. Puede causar daños al tanque de gasolina.



MANTENIMIENTO

BOMBA

NO:

1. Bombee ácidos.
2. Falle en acondicionar para el invierno, en temperaturas de congelación.
3. Permita que la bomba opere en seco.
4. Permita que la máquina funcione con la pistola de gatillo cerrada durante más de 3 minutos a la vez o podría dañarse la bomba.

SÍ:

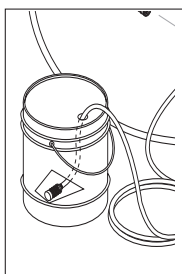
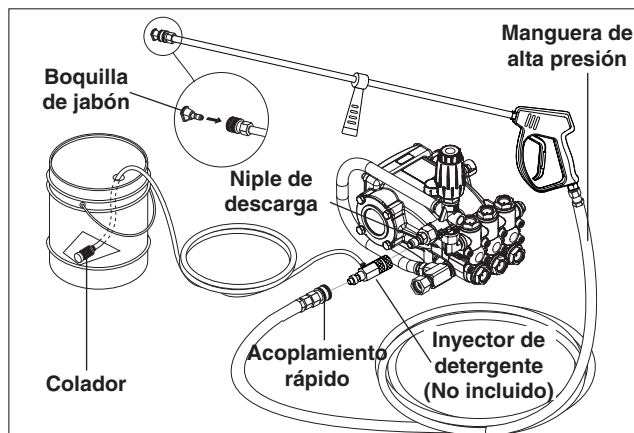
1. Use un ablandador de agua en el sistema de agua si se sabe que tiene un alto contenido de minerales.
2. Use sólo detergentes de alta calidad y siga las recomendaciones de la mezcla del fabricante.
3. Inmediatamente después de usar soluciones detergentes, el sistema debe lavarse abundantemente con agua limpia.
4. Limpie la malla del filtro periódicamente en la línea de detergente.

DETERGENTE Y TÉCNICAS DE LIMPIEZA GENERAL

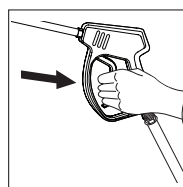


ADVERTENCIA: Algunos detergentes pueden ser dañinos si se inhalan o ingieren, causando náuseas severas, desmayos o envenenamiento. Los elementos dañinos pueden causar daños a la propiedad o lesiones severas.

PASO 1: Conecte el inyector de detergente opcional para descargar la boquilla en la máquina. Conecte la manguera de alta presión al inyector con un acoplamiento rápido. (Verifique que las camisas del acoplador de bloqueo estén en la posición correcta antes de aplicar presión de agua).



PASO 2: Use un detergente diseñado específicamente para lavadoras a presión. Los detergentes domésticos pueden dañar la bomba. Prepare la solución detergente según lo requiera el fabricante. Llene un recipiente con detergente de lavado a presión. Coloque el extremo del filtro del tubo de succión del detergente en el recipiente del detergente.



PASO 3: Con el pestillo de seguridad de la pistola rociadora conectado, asegure la boquilla de detergente negra en el acoplamiento rápido. **NOTA:** El detergente no se puede aplicar con las boquillas amarilla, verde o blanca.

PASO 4: Con el motor en operación, jale el gatillo para operar la máquina. El detergente líquido se introduce en la máquina y se mezcla con agua. Aplique detergente en el área de trabajo. No permita que el detergente se seque en la superficie.

IMPORTANTE: Debe enjuagar el sistema de inyección de detergente después de cada uso colocando el tubo de succión en una cubeta de agua limpia. Luego opere la lavadora a presión a baja presión durante 1-2 minutos.

PROTECCIÓN TÉRMICA DE LA BOMBA

Si opera el motor en su lavadora a presión durante 1-2 minutos sin presionar el gatillo de la pistola rociadora, el agua que circula en la bomba puede alcanzar altas temperaturas. Cuando el agua alcanza esta temperatura, el protector de la bomba se conecta y enfría la bomba descargando el agua caliente en el suelo. Este dispositivo térmico evita daños internos a la bomba.

CONSEJOS DE LIMPIEZA

Enjuague previamente la superficie de limpieza con agua fresca. Coloque el tubo de succión del detergente directamente en la solución de limpieza y aplíquelo sobre la superficie a baja presión (para obtener mejores resultados, limite su área de trabajo a secciones de aproximadamente 6 pies cuadrados y siempre aplique detergente de abajo hacia arriba). Permita que el detergente permanezca en la superficie de 1 a 3 minutos. No permita que el detergente se seque en la superficie.

DETERGENTE Y TÉCNICAS DE LIMPIEZA GENERAL

Si la superficie parece estar secándose, simplemente humidézcala con agua fresca. Si es necesario, use un cepillo para eliminar la suciedad persistente. Enjuague a alta presión de arriba a abajo con un movimiento de barrido uniforme, manteniendo la boquilla rociadora a aproximadamente 1 pie desde la superficie de limpieza. Use movimientos superpuestos al limpiar y enjuagar cualquier superficie. Para una mejor acción de limpieza de la superficie, rocíe con un ligero ángulo.

Recomendaciones:

- Antes de limpiar cualquier superficie, se debe limpiar un área poco visible para probar el patrón de rociado y la distancia para obtener los máximos resultados de limpieza.
- Si las superficies pintadas se están pelando o astillando, tenga mucho cuidado ya que la lavadora a presión puede eliminar la pintura suelta de la superficie.
- Mantenga la boquilla de rocío a una distancia segura de la superficie que planea limpiar. Lave a alta presión un área pequeña, luego revise la

⚠ superficie para detectar daños. Si no encuentra ningún daño, continúe con el lavado a presión.

PRECAUCIÓN - Nunca use:

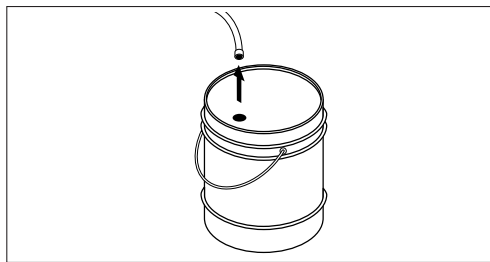
- Blanqueadores, productos de cloro y otros productos químicos corrosivos.
- Líquidos que contienen solventes (es decir, diluyente de pintura, gasolina, aceites).
- Productos de fosfato trisódico.
- Productos de amoníaco.
- Productos a base de ácido.

Estos productos químicos dañarán la máquina y dañarán la superficie que se limpia.

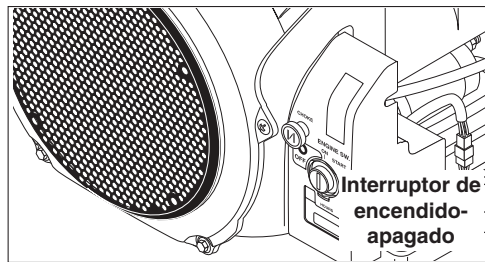
ENJUAGUE

El detergente tardará unos segundos en aclararse. Aplique el cierre de seguridad a la pistola rociadora. Retire la boquilla de jabón negro del acoplamiento rápido. Seleccione e instale la boquilla de alta presión deseada. **NOTE:** También puede detener el flujo de detergente simplemente retirando el tubo de sifón del detergente de la botella.

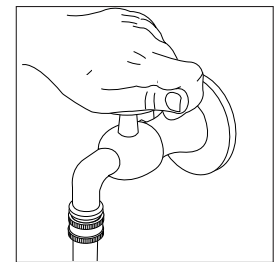
APAGADO Y LIMPIEZA



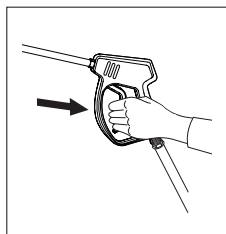
PASO 1: Retire el tubo de succión del detergente del recipiente e insértelo en un galón de agua fresca. Deslice la boquilla hacia adelante para reducir la presión o para conectar la boquilla de detergente negra. Jale el gatillo de la pistola rociadora y extraiga con el sifón el agua durante un minuto.



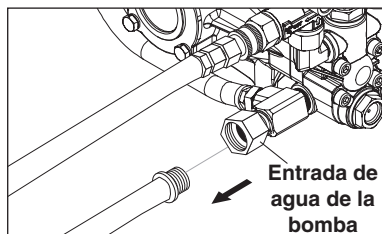
PASO 2: Apague el motor.



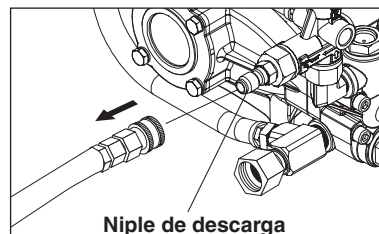
PASO 3: Cierre el suministro de agua.



PASO 4: Presione el gatillo para liberar la presión del agua.



PASO 5: Desconecte la manguera de jardín de la entrada de agua en la máquina.



PASO 6: Desconecte la manguera de alta presión del niple de descarga.



PASO 7: Conecte el cierre de seguridad de la pistola rociadora.

ALMACENAMIENTO

PRECAUCIÓN: Siempre almacene su lavadora a presión en un lugar donde la temperatura no caiga por debajo de 32°F (0°C). La bomba en esta máquina es susceptible a daños permanentes si se congela. **LOS DAÑOS POR CONGELACIÓN NO ESTÁN CUBIERTOS POR LA GARANTÍA.**

1. Detenga la lavadora a presión, apriete el gatillo de la pistola rociadora para liberar la presión.
2. Desconecte la manguera de suministro de agua y la manguera de alta presión.
3. Encienda la máquina durante unos segundos, hasta que salga el agua restante. Apague el motor inmediatamente.
4. Drene el gas y el aceite del motor.
5. No permita que la manguera de alta presión se doble.
6. Almacene la máquina y los accesorios en una habitación que no alcance temperaturas de congelación.

PRECAUCIÓN: La falla en seguir las instrucciones anteriores, resultará en daño a la lavadora a presión.

Cuando la lavadora a presión no esté funcionando o se almacene por más de un mes, siga estas instrucciones:

1. Llene el aceite del motor hasta el nivel superior.
2. Drene la gasolina del tanque de combustible, la línea de combustible, la válvula de combustible y el carburador.
3. Vierta aproximadamente una cucharadita de aceite del motor a través del orificio de la bujía, jale la manija de arranque varias veces y vuelva a colocar el tapón. Luego, jale la manija de arranque lentamente hasta que sienta una mayor presión que indique que el pistón está en su carrera de compresión y déjelo en esa posición. Esto cierra las válvulas de admisión y de escape para evitar la oxidación del cilindro.

4. Cubra la lavadora a presión y guárdela en un lugar limpio y seco que esté bien ventilado y alejado de llamas o chispas. **NOTA:** El uso de un aditivo de combustible, como STA-BIL®, o un equivalente, minimizará la formulación de depósitos de combustible durante la escasez. Dichos aditivos pueden agregarse a la gasolina en el tanque de combustible del motor, o a la gasolina en un contenedor de almacenamiento.

Después de almacenamiento prolongado



PRECAUCIÓN: Antes de volver a arrancar, descongele todo el hielo posible de las mangueras de la lavadora a presión, la pistola rociadora o la varilla.

Mantenimiento del motor

Durante los meses de invierno, pueden desarrollarse condiciones atmosféricas raras que causarán una condición de formación de hielo en el carburador. Si se desarrolla esto, el motor puede funcionar de manera irregular, perder potencia y puede detenerse. Esta condición temporal se puede superar al desviar parte del aire caliente del motor sobre el área del carburador.

NOTA: Consulte el manual del fabricante del motor para el servicio y mantenimiento del motor.

MANTENIMIENTO PREVENTIVO

Para Modelos: HHD 5/30 G, HHD 6/30 G, HHD 8/35 G, HHD 3.4/30 D

Esta lavadora a presión fue producida con los mejores materiales disponibles y mano de obra de calidad. Sin embargo, usted como propietario tiene ciertas responsabilidades para el cuidado correcto del equipo. La atención a los procedimientos regulares de mantenimiento preventivo ayudará a preservar el desempeño de su equipo. Póngase en contacto con su distribuidor para el mantenimiento. El mantenimiento preventivo regular agregará muchas horas a la vida útil de su lavadora a presión. Realice el mantenimiento más a menudo en condiciones severas. Verifique el aceite de la bomba y el nivel del aceite del motor antes de usar por primera vez su nueva lavadora a presión.

PROGRAMA DE MANTENIMIENTO		
Aceite de motor SAE 10W-30	Revisar	Diario
	Cambiar	Primer mes o 20 horas. Cada 100 horas o cada 6 meses después del primer mes
	Filtro	Cada 50 horas
Depurador de Aire y Filtro	Revisar o verificar	Diario o cada uso
	Limpiar	Cada 6 meses o 100 horas
	Reemplazar	Cada 2 años o 500 horas (Reemplazar el elemento del filtro de papel únicamente)
Filtro de combustible del motor	Reemplazar	Cada año o 300 horas
Mantenimiento de bujía		300 horas o anualmente
Limpiar Tanque(s) de combustible		Anualmente
Reemplazar líneas de combustible		Anualmente
Aceite de bomba (Anti-espuma) SAE 10W-40	Revisar	Nivel de aceite Diario o cada uso
	Cambiar	Después de las primeras 50 horas, y después cada 500 horas o anualmente.
Reemplace la boquilla de alta presión		Cada 6 meses
Reemplace las conexiones rápidas y/o anillos O		Anualmente o conforme sea necesario
Limpie la pantalla y el filtro de agua		Semanalmente
Reemplazar manguera HP		Anualmente (si hay cualquier señal de desgaste)

*Al revisar las correas, no exceda los 14 lb-ft en los tornillos de montaje de la bomba. De lo contrario, se dañará la rosca de la bomba.

NOTA: Lea el manual del motor para cualquier consulta de mantenimiento o servicio.

SOLUCIÓN DE PROBLEMAS

Para Modelos: HHD 5/30 G, HHD 6/30 G, HHD 8/35 G, HHD 3.4/30 D

PROBLEMA	CAUSA POSIBLE	SOLUCIÓN
BAJA PRESIÓN DE OPERACIÓN	Manómetro defectuoso	Instalar nuevo medidor.
	Insuficiente suministro de agua. Grifo cerrado. Manguera de entrada torcida	Use una manguera de suministro más grande; limpie el filtro en la entrada de agua. Abra el grifo.
	Colador de manguera de entrada obstruido	Revise el sistema de plomería respecto a fugas. Volver a tapar las fugas con cinta de teflón.
	Boquilla de rocío vieja, desgastada o incorrecta	Haga coincidir el número de boquilla con la máquina y/o reemplace con una boquilla nueva.
	Deslizamiento de la banda	Apretar o reemplazar; usar la banda correcta.
	Fugas en tuberías o mangueras	Revise el sistema de plomería respecto a fugas. Volver a tapar las fugas con cinta de teflón.
	Válvula de descarga defectuosa o mal ajustada	Ajuste el descargador para la presión adecuada. Instale el juego de reparación cuando sea necesario.
	Empaque desgastado en la bomba	Instale el nuevo juego de empaque. Llame al servicio de atención al cliente del distribuidor.
	Válvulas de entrada o descarga contaminadas o sucias en la bomba	Limpie las válvulas de entrada y descarga.
	La máquina se almacenó en temperaturas de congelación	Descongele la máquina completamente, incluyendo la manguera, la pistola rociadora y la varilla.
	Válvulas de entrada o descarga desgastadas	Reemplace con el juego de válvula.
	Obstrucción en boquilla de rocío	Retire la obstrucción.
	Válvula de control de presión con fugas	Reconstruya o reemplace según sea necesario.
	RPM lentas del motor	Ajuste la velocidad del motor en las especificaciones adecuadas.
	PRESIÓN FLUCTUANTE	La bomba succiona aire
Válvulas adheridas		Revise y limpie o reemplace si es necesario.
El asiento de la válvula del descargador está defectuoso		Compruebe y reemplace si es necesario.
Válvulas de bomba gastadas o sucias		Llame al distribuidor local.
La boquilla está obstruida		Sople o retire los residuos con una aguja fina.
La bomba succiona aire, fuga de la manguera de entrada		Compruebe que todas las mangueras y accesorios sean herméticos. Apague la máquina y active la pistola rociadora hasta que salga un flujo constante de agua a través de la boquilla.
Suministro de agua insuficiente		Abra el agua completamente. Revise la manguera de jardín respecto a torceduras, fugas u obstrucciones.

SOLUCIÓN DE PROBLEMAS

Para Modelos: HHD 5/30 G, HHD 6/30 G, HHD 8/35 G, HHD 3.4/30 D

PROBLEMA	CAUSA POSIBLE	SOLUCIÓN
PRESIÓN BAJA DESPUÉS DEL PERÍODO DE USO NORMAL	Boquilla gastada	Reemplace la boquilla.
	La válvula del descargador está desgastada	Reemplace la válvula de descarga.
EL MOTOR NO ARRANCA O SE DETIENE MIENTRAS FUNCIONA	Paro por aceite bajo	Llene el motor con aceite.
	Agotamiento de gasolina	Llene el tanque de combustible.
	Agua en gasolina	Drene el tanque de gasolina; llene con combustible limpio.
MOTOR SOBRECARGADO	Boquilla parcialmente bloqueada	Limpie la boquilla.
	Presión excesiva por altas RPM del motor	Ajuste el acelerador del motor para disminuir las RPM.
PRESENCIA DE AGUA EN ACEITE DE BOMBA	Agua rociada en la máquina	Cambio de aceite. Rocío directo lejos de la máquina.
	Alta humedad en el aire	Revise y cambie el aceite dos veces más seguido.
	Empaque de pistón desgastado. Sello de aceite desgastado.	Llame al distribuidor local.
EL MOTOR FUNCIONA DURANTE 15 MINUTOS, LUEGO SE DETIENE	No hay suficiente gasolina o aceite de motor	Llene el tanque con gasolina. Revise el nivel de aceite.
	Bloqueo de vapor desarrollado por el calor del día	Mantenga el tanque de gasolina lleno para evitar el bloqueo de vapor.
	Obstrucción en el filtro de combustible	Limpie o reemplace el filtro de combustible.
EL MOTOR CARECE DE POTENCIA	Filtro de aire sucio	Reemplace el filtro de aire.
VACILACIÓN DEL MOTOR	El ahogador se abre demasiado pronto	Mueva el ahogador a la posición intermedia hasta que el motor funcione suavemente.
GOTEO DE AGUA DESDE ABAJO DE LA BOMBA	Empaque de pistón desgastado	Llame al distribuidor local.
	Retenedor del émbolo de anillo O desgastado	Llame al distribuidor local.
	Pistón agrietado	Llame al distribuidor local.
GOTEO DE ACEITE DESDE ABAJO DE LA BOMBA	Sello de aceite desgastado o dañado	Llame al distribuidor local.
FUGA DE AGUA DEL PROTECTOR DE LA BOMBA	Pistola rociadora cerrada con la máquina en operación 5 minutos o más	Abra la pistola rociadora o apague la máquina.
SIN DETERGENTE	Tubo de succión de detergente no está conectado correctamente a la máquina	Verifique la conexión.
	El detergente es demasiado espeso	Diluya el detergente. Para mejores resultados, use detergente del fabricante.

SOLUCIÓN DE PROBLEMAS

Para Modelos: HHD 5/30 G, HHD 6/30 G, HHD 8/35 G, HHD 3.4/30 D

PROBLEMA	CAUSA POSIBLE	SOLUCIÓN
SIN DETERGENTE	La válvula del filtro de detergente está en el ajuste más bajo	Coloque la válvula del filtro de detergente en un valor más alto.
	El filtro en el tubo de succión de detergente está obstruido	Haga correr agua tibia a través del filtro para eliminar los residuos.
	Tubo de succión de detergente dañado u obstruido	Retire la obstrucción o reemplace el tubo de succión de detergente.
	Una boquilla de alta presión está conectada.	Reemplace con la boquilla de detergente negra.
	La boquilla de descarga está obstruida	Sople o retire los residuos con una aguja fina.
FUGAS DE CONEXIÓN DE MANGUERA	Accesorios sueltos	Apriete los accesorios.
	Arandela de hule faltante o desgastada	Inserte una nueva arandela.
FUGA DE VARILLA DE ROCÍO	La varilla de rocío no está conectada correctamente	Deslice la varilla de rocío dentro de la pistola. Gire el collar de la varilla en el sentido de las manecillas del reloj sobre las roscas de la pistola rociadora hasta que quede apretado.
	Anillo O roto	Llame al distribuidor local y ordene un anillo O.
LA BOMBA ES RUIDOSA	La bomba está aspirando aire	Compruebe que las mangueras y los accesorios estén apretados. Apague la máquina y purgue la bomba apretando la pistola de gatillo hasta que salga un flujo constante de agua a través de la boquilla.

REGISTRO DE CAMBIO DE ACEITE

Verifique el aceite de la bomba y el nivel del aceite del motor antes de usar por primera vez su nueva lavadora a presión.

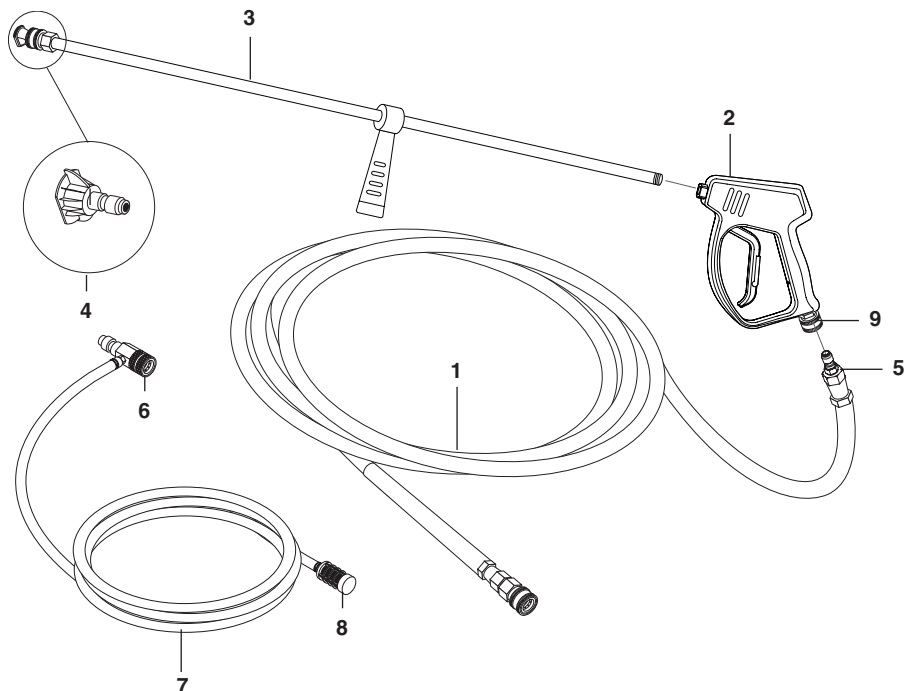
Aceite de bomba: Verifique el nivel diariamente antes del primer uso de su nueva Lavadora a presión. Cambie el aceite de la bomba después de las primeras 50 horas cada año o 500 horas después. Utilice SAE 10W-40 sin espuma.

Aceite de motor: Verifique diariamente antes del primer uso de su nueva Lavadora a presión. Cambie el aceite del motor después de las primeras 20 horas y cada 100 horas después. Utilice SAE 10W-30.

Fecha de cambio de aceite de la bomba Mes/Día/Año	Horas de funcionamiento estimadas desde el último cambio de aceite	Fecha de cambio de aceite de la bomba Mes/Día/Año	Horas de funcionamiento estimadas desde el último cambio de aceite

NOTA: Lea el manual del motor para cualquier consulta de mantenimiento o servicio.

ENSAMBLE DE ACCESORIOS



LISTA DE PARTES DE ENSAMBLE DE ACCESORIOS

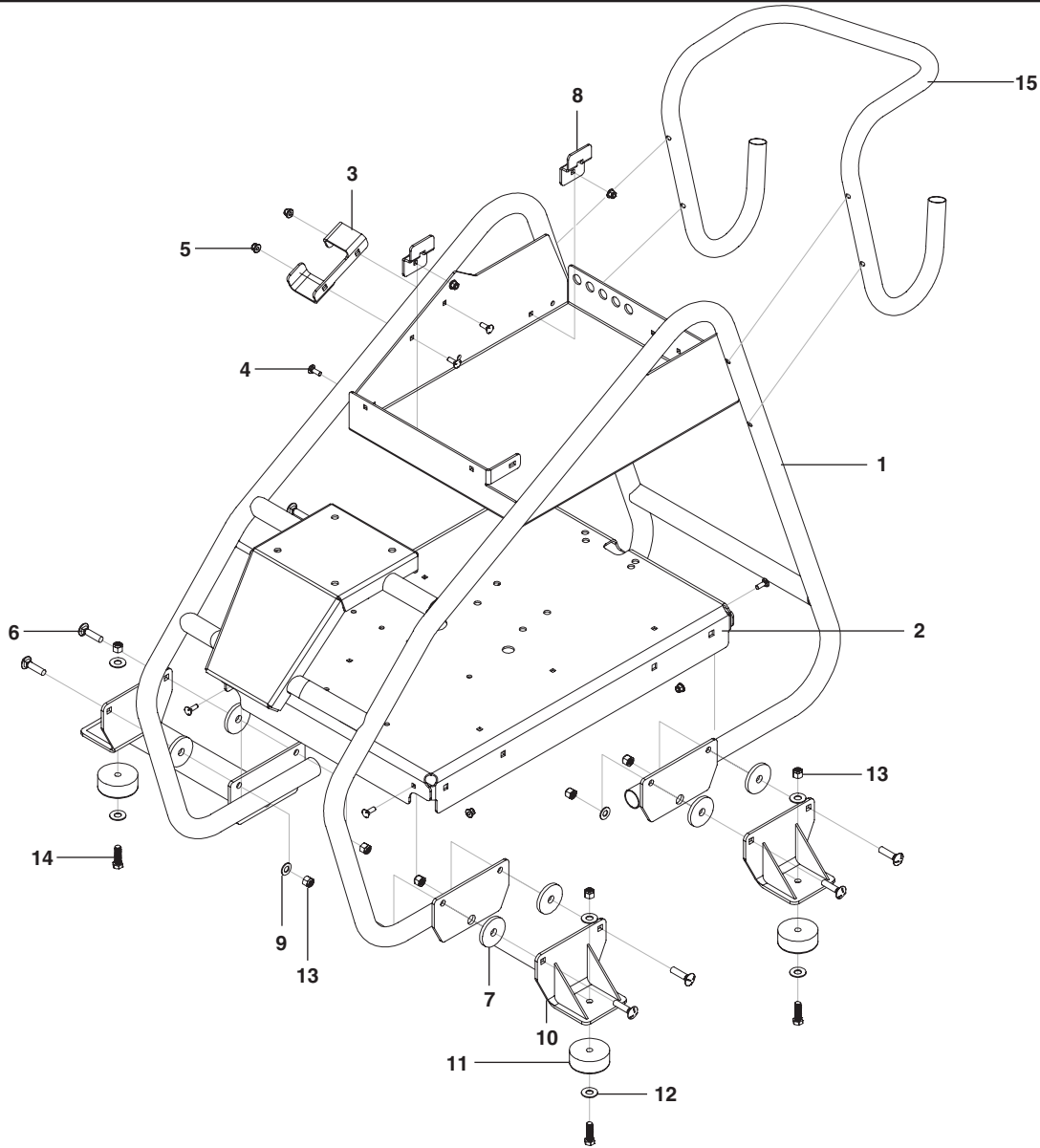
ELEM ENTO	PARTE NO.	DESCRIPCIÓN	CANT
1	8.925-132.0	Hose, 3/8" X 50' 2W 6000PSI SW/SO/CPL (HHD 5/30 G, HHD 6/30 G)	1
	8.925-134.0	Hose, 1/2" X 50' 2W 5000PSI SW/SO/CPL (HHD 8/35 G)	1
	8.925-130.0	Hose, 3/8" X 50' 1W 4000PSI SW/SO/CPL (HHD 3.4/30 D)	1
2	8.750-247.0	Gun, M407 (HHD 5/30 G, HHD 6/30 G)	1
	8.710-384.0	Gun, ST-1500, 5000 PSI, 10.4 GPM (HHD 8/35 G, HHD 6/30 G)	1
3	8.783-040.0	Wand 44" Zinc Plated, Handle & Coupler (all models)	1
4	Quick Connect Nozzle Kit (6.0) (HHD 5/30 G)		
	8.712-362.0	▲ Nozzle, SAQCMEG 1506, Yellow	1
	8.712-363.0	▲ Nozzle, SAQCMEG 2506, Green	1
	8.712-364.0	▲ Nozzle, SAQCMEG 4006, White	1
	8.712-398.0	▲ Nozzle kpl., QCEM-6540 Mess. (CHEM)	1
	Quick Connect Nozzle Kit (7.0) (HHD 6/30 G)		
	8.712-370.0	▲ Nozzle, SAQCMEG 1507, Yellow	1
	8.712-371.0	▲ Nozzle, SAQCMEG 2507, Green	1
	8.712-372.0	▲ Nozzle, SAQCMEG 4007, White	1
	8.712-398.0	▲ Nozzle kpl., QCEM-6540 Mess. (CHEM)	1
	Quick Connect Nozzle Kit (9.0) (HHD 8/35 G)		
	8.708-463.0	▲ 1/4' QC WASHJET #9 x 15	1
	8.708-464.0	▲ 1/4' QC WASHJET #9 x 25	1
	8.708-465.0	▲ 1/4' QC WASHJET #9 x 40	1
	8.712-398.0	▲ Nozzle COMPL, QCEM-6540 Brass (Chem)	1
	Quick Connect Nozzle Kit (4.0) (HHD 3.4/30 D)		
	8.712-346.0	▲ Nozzle, SAQCMEG 1504, YELLOW	1
	8.712-347.0	▲ Nozzle, SAQCMEG 2504, GREEN	1
	8.712-348.0	▲ Nozzle, SAQCMEG 4004, WHITE	1
	8.712-398.0	▲ Nozzle, COMPL, QCEM-6540 BRASS (Chem)	1

LISTA DE PARTES DE ENSAMBLE DE ACCESORIOS

ELEM ENTO	PARTE NO.	DESCRIPCIÓN	CANT
5	9.802-170.0	Coupler, 3/8" plug, female, steel/zinc (todos los modelos)	1
6	9.802-216.0	Injector, Chem, 0.083 (HHD 5/30 G, HHD 3.4/30 G)	1
	8.757-724.0	Injector Chem Non Adj 2.3 5-9GPM (HHD 6/30 G, HHD 8/35 G)	1
7	6.388-216.0	Hose DN 5 (HHD 5/30 G, HHD 3.4/30 G)	1M
8	5.731-652.0	Filter with weight (HHD 5/30 G, HHD 3.4/30 G)	1
9	9.802-169.0	Coupler, 3/8" Socket, Male, Brass (todos los modelos)	1

▲ No visible

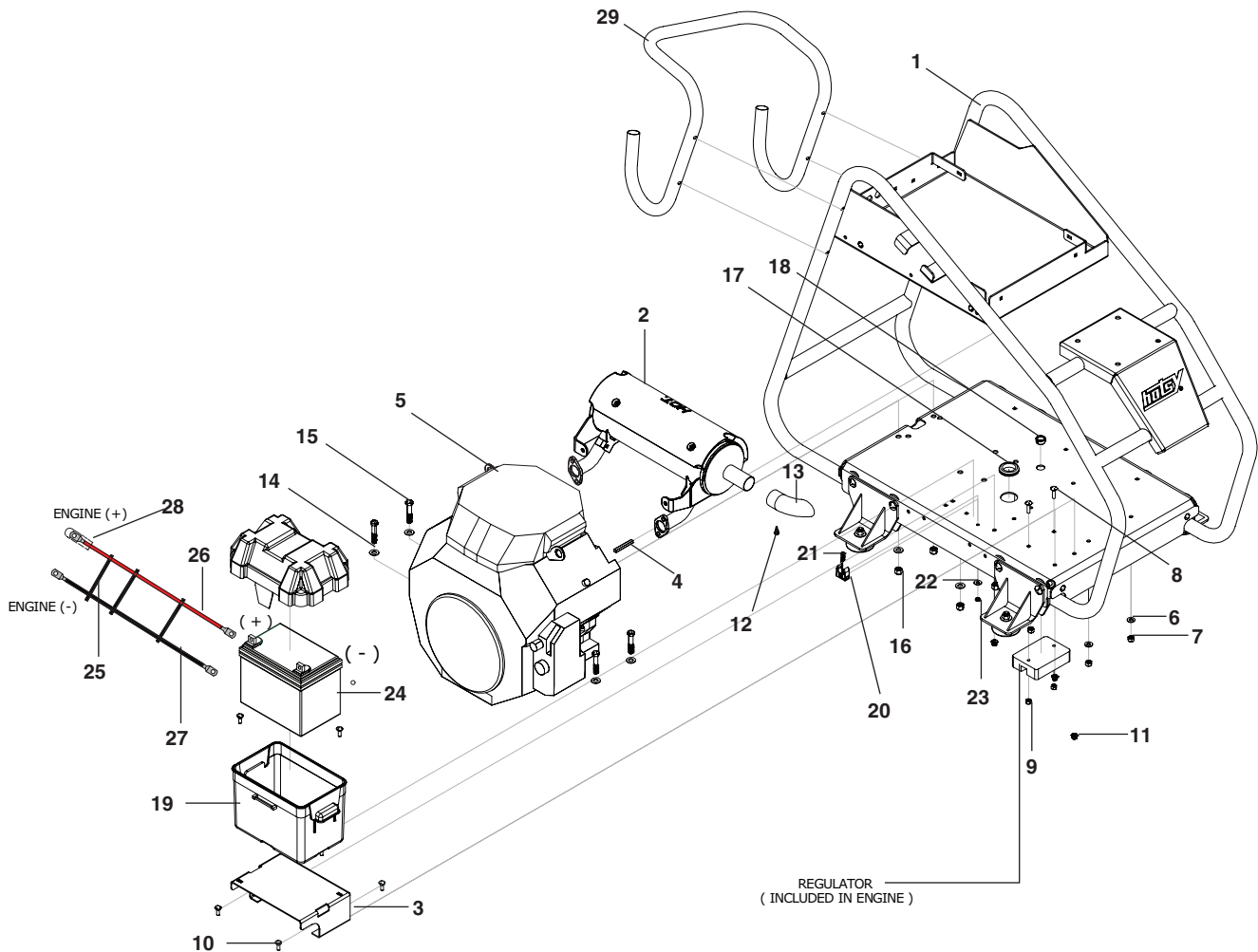
VISTA DETALLADA DEL ENSAMBLE HF PATÍN



LISTA DE PARTES DEL ENSAMBLE HF PATÍN

ELEM ENTO	PORTE NO.	DESCRIPCIÓN	CANT
1	8.928-612.0	Cage High Flow	1
2	8.928-607.0	Base High Flow	1
3	8.928-692.0	Wand Holder HF	1
4	8.757-432.0	Bolt, 1/4-20 X 3/4, Carriage ST CL5 ZNPLT	8
5	9.197-010.0	1/4-20" Nylon Insert Lock Nut With Flange	8
6	8.757-629.0	Bolt 3/8-16 X 1.5" Carriage Zinc Plt Cl5	8
7	9.802-067.0	Bumper Pad, Engine	8
8	8.928-605.0	Support Strap Gas Tank	2
9	9.198-004.0	3/8 USS F/W Zinc	8
10	8.928-954.0	Skid Feet Welded	4
11	9.802-066.0	Pad Soft Rubber	4
12	9.802-817.0	Washer, 3/8" X 1"	8
13	9.197-003.0	3/8-16 Ne Nylon Insert L/N ZC 5UM White	12
14	9.802-722.0	Bolt, 3/8 X 1-1/4", NC HH	4
15	Handle	See exploded view	

VISTA DETALLADA - LADO DERECHO



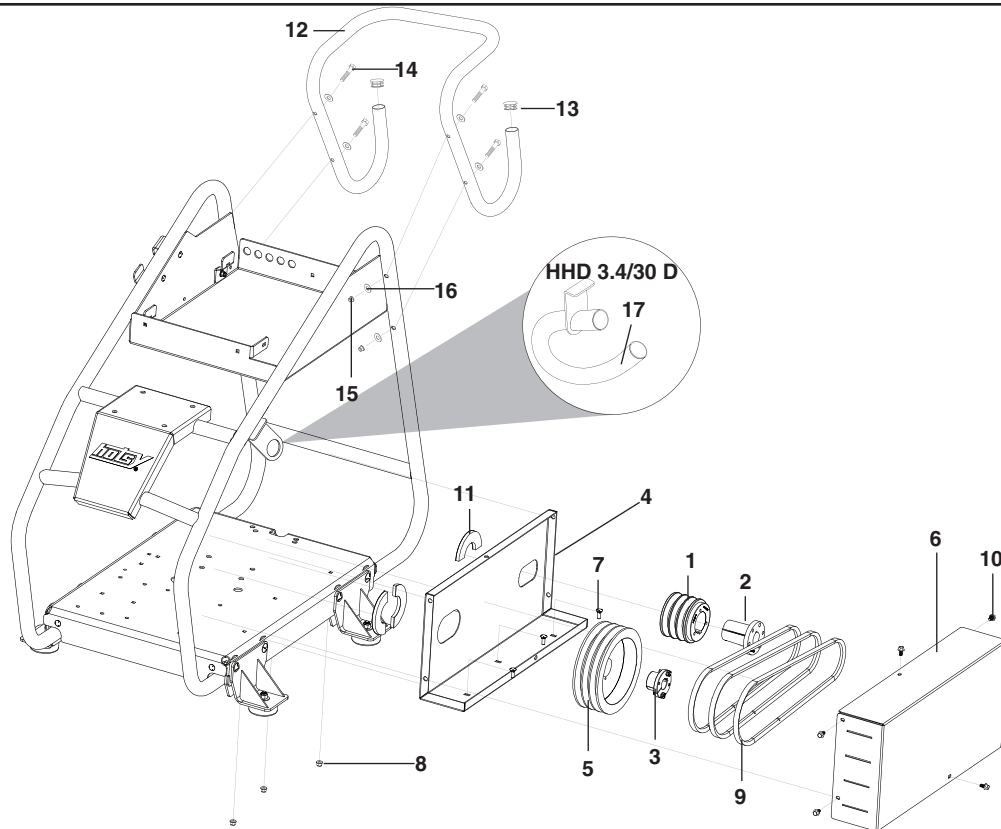
LISTA DE PARTES DE VISTA DETALLADA - LADO DERECHO

ELEM	PARTE NO.	DESCRIPCIÓN	CANT
1	8.928-626.0	Frame Assembly HF Skid	1
2	8.750-498.0	Muffler, Honda, GX630/GX660, Left (excepto modelo HD 3.4/30D)	1
3	8.928-620.0	Battery Bracket	1
4	9.802-959.0	Key, 0.247 SQR X 2.125" (HHD 8/35 G)	1
5	8.757-350.0	Engine Honda GX690RHTXF5 662650 (HHD 8/35 G)	1
	8.752-149.0	Engine honda GX630RHQXF No Throttle (HHD 5/30 G)	1
	8.757-268.0	Engine, Kohler KD440-9008 (HD 3.4/30D)	1
6	8.718-980.0	Washer, 5/16" Flat, SAE (780452)	16
7	9.802-776.0	Nut, 5/16-18, ESNA	8
8	8.757-433.0	Bolt, 1/4-20 X 1", Carriage ST CL5 ZNPLT	2
9	9.802-773.0	Nut, 1/4-20 ESNA NC	2
10	8.757-432.0	Bolt, 1/4-20 X 3/4, Carriage ST CL5 ZNPLT	13
11	9.197-010.0	1/4-20" Nylon Insert Lock Nut With Flange	13
12	8.718-941.0	Screw, 10-16 X 5/8 TEK	1
13	8.915-387.0	Deflector, Exhaust, 1.375" D Pipe, 45DEG (excepto modelo HD 3.4/30D)	1
14	9.198-004.0	3/8 USS F/W Zinc	11
15	9.802-728.0	Bolt, 3/8-16 x 2", HH Zinc	4
16	9.197-003.0	3/8-16 Ne Nylon Insert L/N ZC 5UM White	4
17	8.750-647.0	Grommet Rubber 1 1/2"	1
18	8.706-731.0	Bushing, 3/4" Snap Heyco P/N 2096	1

LISTA DE PARTES DE VISTA DETALLADA - LADO DERECHO

ELEM ENTO	PORTE NO.	DESCRIPCIÓN	CANT
19	8.706-652.0	Battery box, small	1
20	9.802-203.0	Clamp, 1/2" RO-CLIP, KLEINHUIS P/N 796/1	1
21	9.802-771.0	Screw, 10/32" X 3/4", BH SOC CS	1
22	9.802-802.0	Washer, 1/4" Flat SAE Zinc	1
23	9.804-567.0	*Nut, 10/32", ESNA	1
24	8.754-990.0	Battery, 12V, 35Ah, Small	1
25	9.802-510.0	Cable, TIE, 4" Black	6
26	8.757-737.0	Cable Battery 27" Red 4 Ga	1
27	8.757-738.0	Cable Battery 30" Black 4 Ga	1
28	9.804-615.0	Cover, Battery Terminal, Red	1
29	Handle	See exploded view	

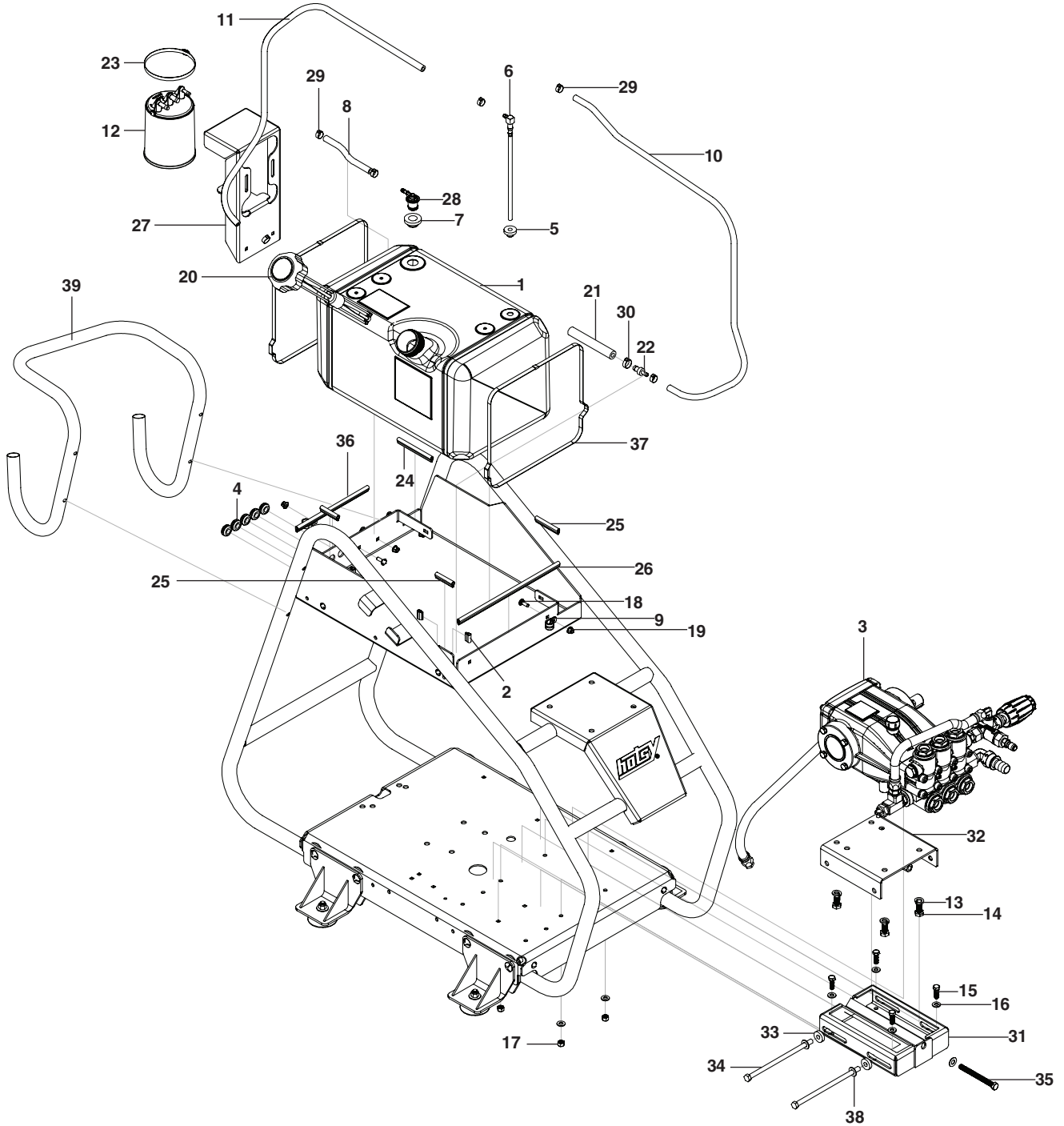
VISTA DETALLADA - LADO IZQUIERDO



LISTA DE PARTES DE VISTA DETALLADA - LADO IZQUIERDO

ELEM	PARTE NO.	DESCRIPCIÓN	CANT
1	9.802-393.0	Pulley, 3TB36 (HHD 8/35 G)	1
	8.715-576.0	Pulley, 2BK 32 H (HHD 5/30 G and HHD 6/30 G)	1
	9.802-383.0	Pulley, 2BK 36 H (HHD 3.4/30 D)	1
2	9.802-405.0	Bushing, P2 X 1-1/8 (HHD 8/35 G)	1
	9.802-399.0	Bushing, H X 1 (HHD 5/30 G, HHD 6/30 G y HHD 3.4/30D)	1
3	9.802-403.0	Bushing, H X 25MM (HHD 5/30 G, HHD 6/30 G y HHD 8/35 G)	1
4	8.929-108.0	Guard Rivnut	1
	8.929-110.0	Guard Rivnut Diesel	1
5	8.715-618.0	Pulley, 3BK 80 H (HHD 8/35 G)	1
	8.715-592.0	Pulley, 2BK 80H (HHD 5/30 G y HHD 6/30 G)	1
	8.715-591.0	Pulley, 2BK 70 H (HHD 3.4/30 D)	1
6	8.928-633.0	Front Guard HF	1
7	8.757-432.0	Bolt, 1/4-20 X 3/4, Carriage ST CL5 ZNPLT	13
8	9.197-010.0	1/4-20" Nylon Insert Lock Nut With Flange	13
9	9.802-420.0	Belt, BX 43 (HHD 8/35 G)	3
	9.802-420.0	Belt, BX 43 (HHD 5/30 G and HHD 6/30 G)	2
	8.715-702.0	Belt, BX 41 (HHD 3.4/30 D)	2
10	9.802-754.0	Screw, 1/4" X 1/2" NC, Whiz Loc Flange	6
11	8.932-993.0	Cushion, Pump (Thin)	3
	8.932-993.0	Cushion, Pump (Thin) (HHD 3.4/30 D)	4
12	8.928-606.0	Handle High Flow	1
13	8.754-441.0	Plastic Cap_1.25"Diam_Tube	2
14	8.718-636.0	Bolt, 5/16" X 3", NC HH, Zinc	4
15	9.802-776.0	Nut, 5/16-18, ESNA	4
16	8.718-980.0	Washer, 5/16" Flat, SAE (780452)	8
17	8.929-240.0	Assembly Flame Guard and Pipe (HHD 3.4/30 D)	1

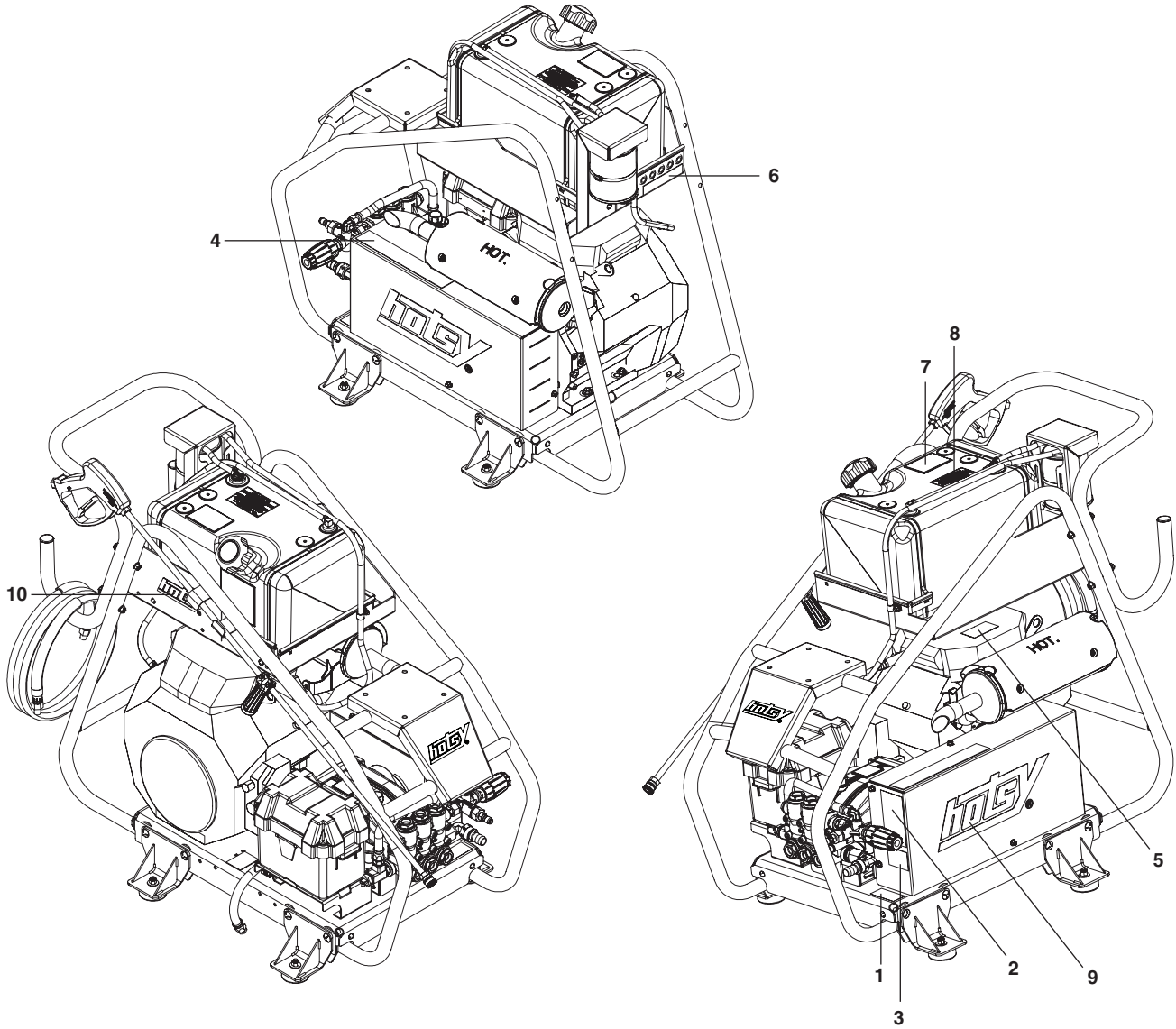
VISTA DETALLADA TANQUE DE COMBUSTIBLE



LISTA DE PARTES DE VISTA DETALLADA TANQUE DE COMBUSTIBLE

ELEM ENTO	PARTE NO.	DESCRIPCIÓN	CANT
1	8.752-915.0	Tank, 7.25 GAL, LOW-PERM	1
2	9.802-071.0	Trim, 750 B2 X 1/16. Black, /FT	3/4 (4 PCS)
3	Pump Assy	See Exploded page	
4	8.755-187.0	Grommet, Rubber	5
5	9.802-053.0	Bushing, Fuel Line, Rubber	1
6	9.803-531.0	Diptube Assy, Plastic, 10.00" Long	1
7	8.751-215.0	Grommet, Remote Vent, Kelch	1
8	9.802-254.0	Hose, 1/4" Push-On, /FT (excepto modelo HHD 3.4/30 D)	5 1/2"
9	8.617-709.0	Clamp, Cable 1/2I.D. 1/4BLT	2
10	9.802-254.0	Hose, 1/4" Push-On, /F	34 1/2 "
	9.802-254.0	Hose, 1/4" Push-On, /FT (modelo HHD 3.4/30 D)	36"
11	9.802-254.0	Hose, 1/4" Push-On, /F	28 1/4 "
	9.802-254.0	Hose, 1/4" Push-On, /FT (modelo HHD 3.4/30 D)	41"
12	8.751-380.0	Carbon Canister, 850cc (excepto modelo HHD 3.4/30 D)	1
13	9.802-816.0	Washer, 7/16", Split Ring Lock, 780481	4
14	9.802-744.0	Bolt, 10mm x 20mm, HH Zinc	4
15	9.802-710.0	Screw 5/16" x 1" NC	4
16	8.718-980.0	Washer, 5/16" Flat, SAE (780452)	16
17	9.802-776.0	Nut, 5/16-18, ESNA	8
18	8.757-432.0	Bolt, 1/4-20 x 3/4, Carriage ST CL5 ZNPLT	13
	8.757-432.0	Bolt, 1/4-20 X 3/4, Carriage ST CL5 ZNPLT (modelo HHD 3.4/30 D)	11
19	9.197-010.0	1/4-20" Nylon Insert Lock Nut With Flange	13
	9.197-010.0	1/4-20" Nylon Insert Lock Nut With Flange (modelo HHD 3.4/30 D)	14
20	8.751-057.0	Cap Ratcheting, Fuel with gauge & tether	1
	9.802-089.0	Cap, Fuel, PlastiC H60-AV1 (modelo HHD 3.4/30 D)	1
21	8.711-785.0	Hose, 3/8" Push-On, PER FT	10 1/4 "
22	9.802-141.0	Hose Barb, 1/4' Barb X 3/8' Barb, DOU	1
23	8.752-918.0	Clamp, Hose, #64 4.5-2.5 x 9/16 SS (excepto modelo HHD 3.4/30 D)	1
24	9.802-071.0	Trim, 750 B2 X 1/16. Black, /FT	4" (1PCS)
25	9.802-071.0	Trim, 750 B2 X 1/16. Black, /FT	2 5/8" (3PCS)
26	9.802-071.0	Trim, 750 B2 X 1/16. Black, /FT	11 5/16"
27	8.928-772.0	Canister Support (excepto modelo HHD 3.4/30 D)	1
28	8.751-059.0	Vent, Remote Assembly, Carb	1
29	8.753-066.0	Clamp, 1 Ear, 12.6mm - 14.5mm (#7)	6
	8.753-066.0	Clamp, 1 Ear, 12.6mm - 14.5mm (#7) (model HHD 3.4/30 D)	4
30	8.753-065.0	Clamp, 1 Ear, 15.7mm- 18.5mm (#10)	1
31	8.928-695.0	Slider Base Lower Hf	1
32	8.928-696.0	Pump Base High Flow	1
33	8.719-047.0	Washer, Nylon, .390 ID X 1 OD X .25 THK	2
34	8.725-549.0	Bolt, 3/8" X 7-1/2" HH	2
35	8.718-682.0	Bolt, 3/8-16 X 3-1/2, TAP, SS	1
36	9.802-071.0	Trim, 750 B2 X 1/16. Black, /FT	8 1/2" (4PCS)
37	9.802-512.0	Cable, Tie, 48"	2
38	9.198-004.0	3/8 USS F/W Zinc	8
39	Handle	See exploded view	

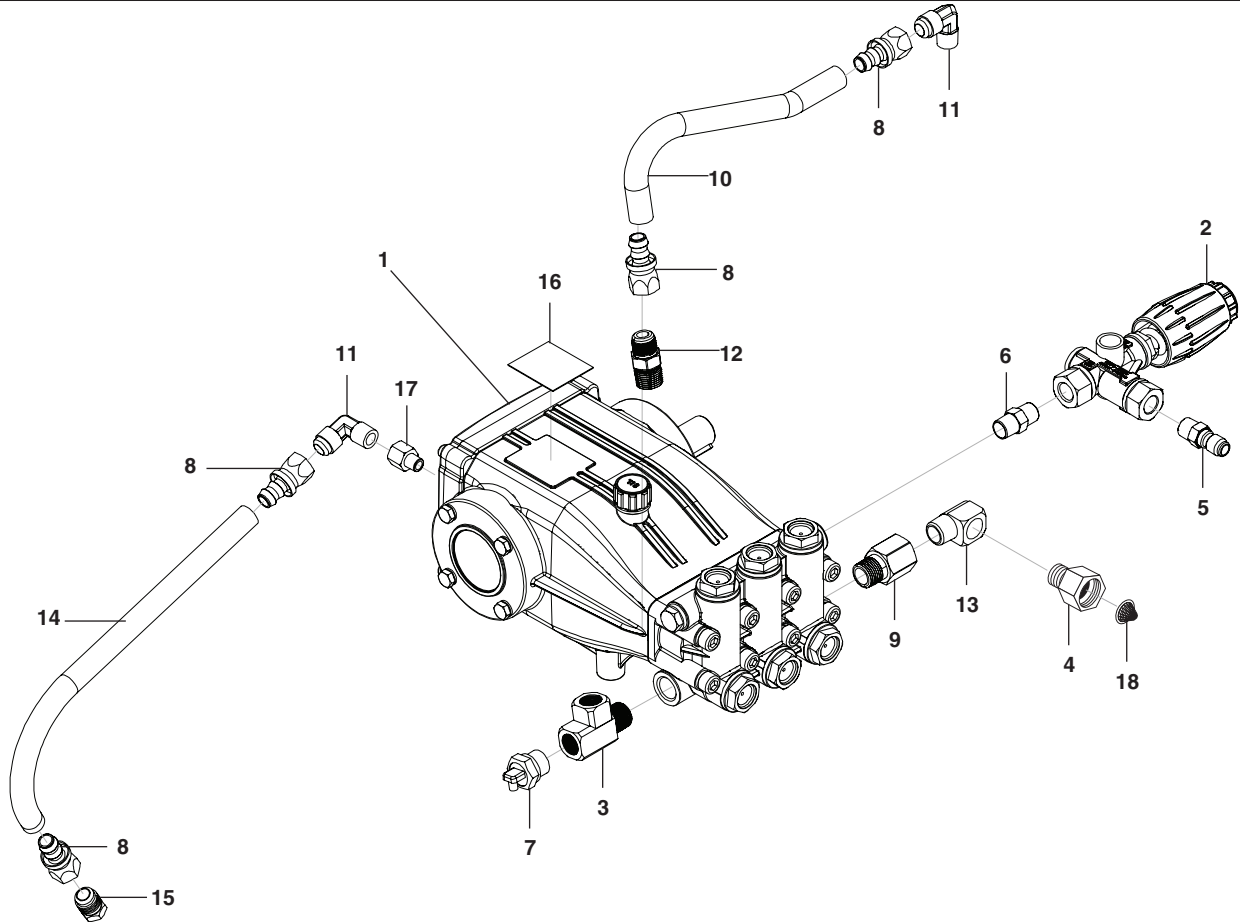
ETIQUETAS GENÉRICAS HF PATÍN



LISTA DE PARTES DE ETIQUETAS GENÉRICAS HF PATÍN

ELEM ENTO	PORTE NO.	DESCRIPCIÓN	CANT
1	9.800-049.0	Label, Manufacturer's Cleaning Solution	1
2	9.803-842.0	Label, Instructions, BR	1
3	8.783-038.0	Label, Universal DB Rating, Ear Protection	1
4	8.750-809.0	Label Operation Warn Trilingual Small	1
5	9.800-006.0	Label, Hot/Caliente W/Arrows	1
6	8.932-967.0	Label, Nozzle, 0, 15, 25, 40, & Soap (HHD 5/30 G, HHD 6/30 G and HHD 3.4/30D)	1
	8.757-476.0	Nozzle Label Black (HHD 8/35 G)	1
7	8.921-479.0	Label, Carb Compliance	1
8	9.800-001.0	Label, This Tank For Gas Only (HHD 5/30 G, HHD 6/30 G and HHD 8/35 G)	1
	8.932-960.0	Label, Diesel, Black On Yellow (HHD 3.4/30 G)	1
9	8.758-045.0	Label Logo Red Hotsy	1
10	8.757-836.0	Label Hotsy Red 6" X 2"	2

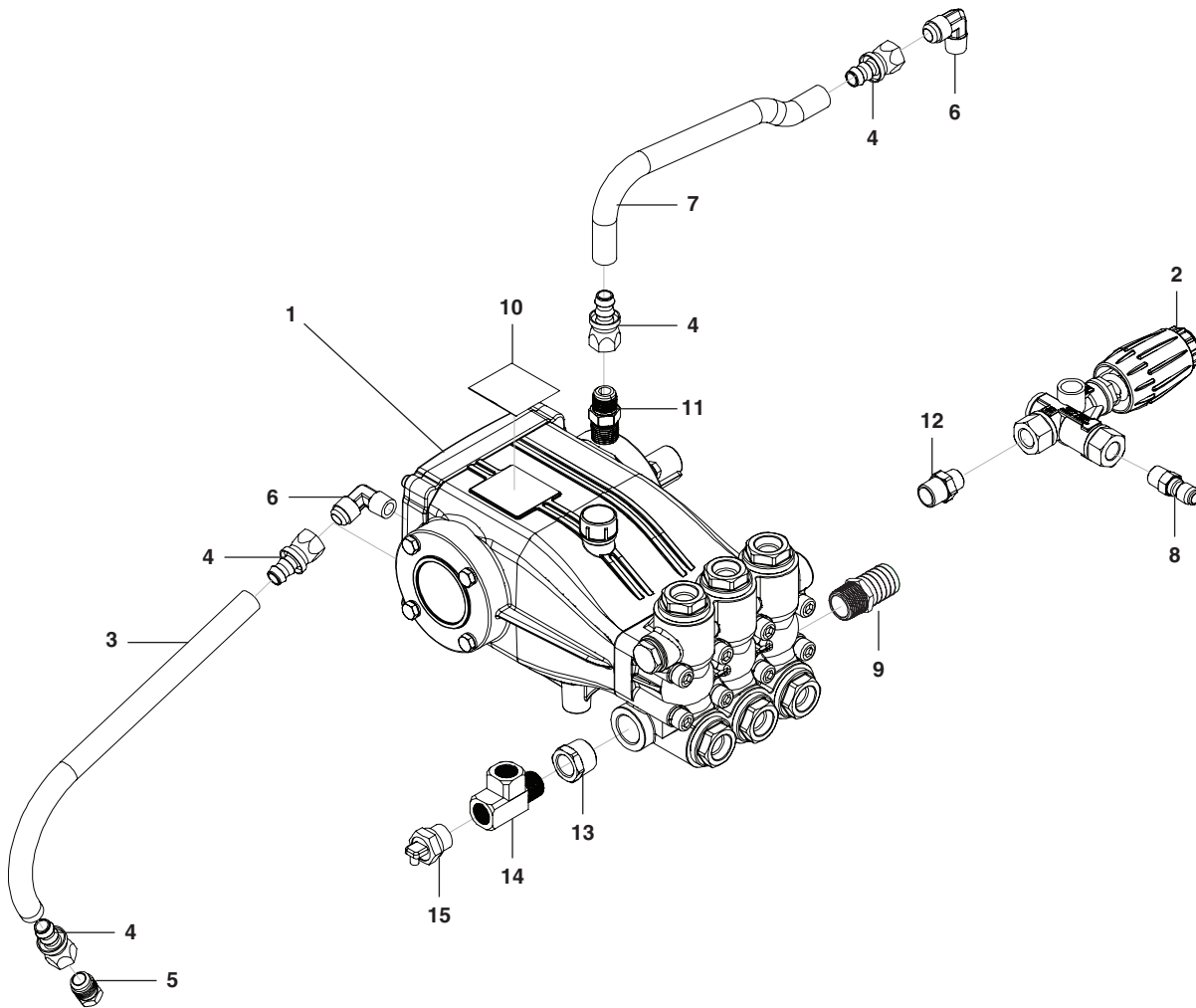
VISTA DETALLADA DE BOMBA PARA MODELOS: HHD 5/30 G, HHD 6/30 G, HHD 3.4/30 D



LISTA DE PARTES DE VISTA DETALLADA DE LA BOMBA

ELEM ENTO	PARTE NO.	DESCRIPCIÓN	CANT
1	8.753-535.0	Pump, Leuco LT6036R, 6.0@3600, 1450 RPM (Modelos HD 5/30G, HD 6/30G)	1
	8.750-755.0	Pump, LM3540R.3, 3.5@ 4000 1850RPM (Modelo HD 3.4/30D)	1
2	8.750-299.0	Unloader, VRT3, 8 GPM 1 @4500 PSI	1
3	8.757-257.0	Tee, Street 1/2"	1
4	8.757-203.0	Swivel, 1/2" M-NPTF x 3/4" GHF	1
5	8.757-341.0	Coupler steel zinc 3/8" plug male w/slnt	1
6	8.757-653.0	Nipple steel hex 3/8" NPTF x 3/8" BSPP	1
7	8.757-549.0	Pump protector 1/2 140°	1
8	9.802-151.0	Swivel, 1/2" BARB x 1/2" JIC, FEM/Brass	4
9	8.757-193.0	Adapter, 1/2" F-NPTF x 1/2" M-NPTF, Brass	1
10	9.802-259.0	Hose, 1/2" Push-On, /FT	9.5"
11	8.757-262.0	Elbow brass 1/2 SAE (M) x 3/8 NPTF (M)	2
12	8.757-200.0	Adapter brass 1/2 SAE (M) x 1/2 NPTF (M)	1
13	8.757-342.0	Elbow, 1/2" Street, Bbrass	1
14	9.802-259.0	Hose, 1/2" Push-On, /FT	12"
15	9.802-126.0	Plug, 1/2" JIC Flare, 639F-8	1
16	8.757-481.0	Label Pump Hotsy HT6036R. (Modelos HHD 5/30G, HHD 6/30G)	1
	8.918-800.0	Label, Hotsy HM3540R.3 Pump (Modelo HHD 3.4/30D)	1
17	8.706-993.0	Adapter, 3/8' X 3/8' (Modelo HD 3.4/30D)	1
18	9.804-016.0	Filter Screen Washer, Garden Hose/30MESH	1

VISTA DETALLADA DE BOMBA PARA MODELO: HHD 8/35 G



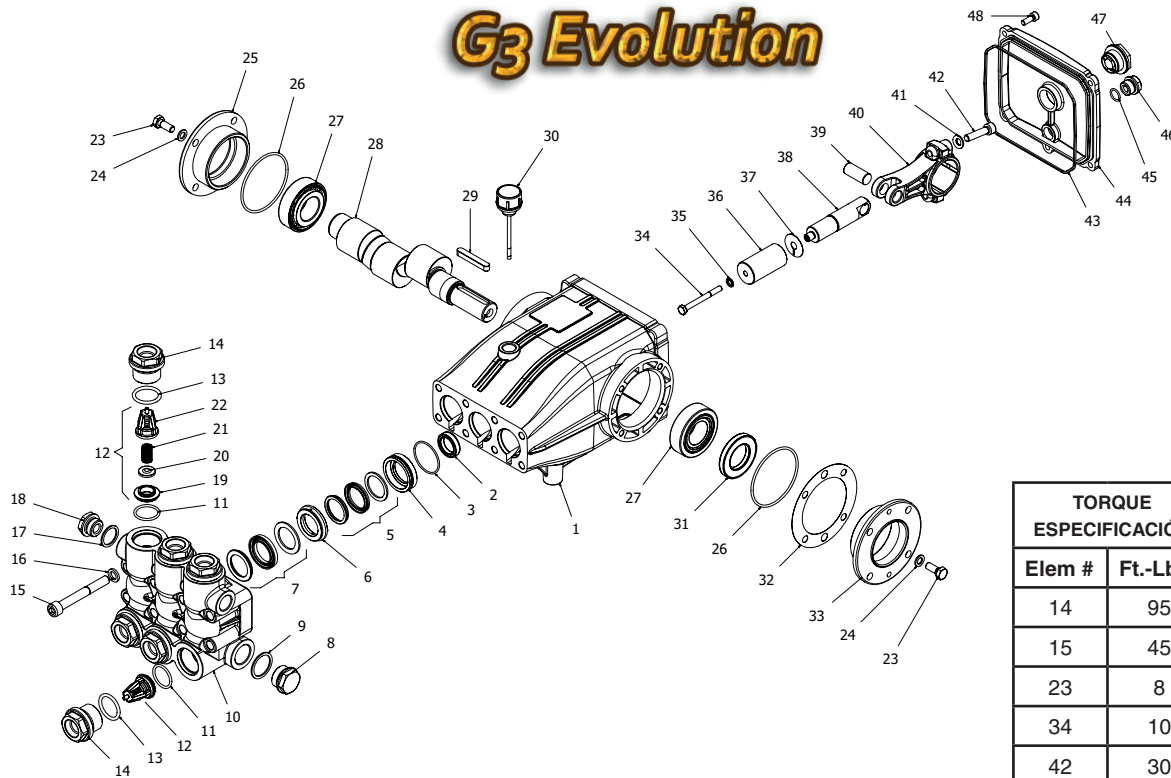
LISTA DE PARTES DE LA BOMBA HHD 8/35 G

ELEM ENTO	PORTE NO.	DESCRIPCIÓN	CANT
1	8.752-809.0	Pump, Leuco 8043R, 8@4350 1740RPM (Modelo HD 8/35 G)	1
2	8.750-299.0	Unloader, VRT3, 8 GPM @4500 PSI	1
3	9.802-259.0	Hose, 1/2" Push-On, /FT	12"
4	9.802-151.0	Swivel, 1/2" BARB x 1/2"JIC, Fem/Brass	4
5	9.802-126.0	Plug, 1/2" JIC Flare, 639F-8	1
6	8.757-262.0	Elbow brass 1/2 SAE (M) x 3/8 NPTF (M)	2
7	9.802-259.0	Hose, 1/2" Push-On, /FT	12"
8	8.757-341.0	Coupler steel zinc 3/8" plug male w/slnt	1
9	8.759-210.0	Adapter brass 3/4" NPT x 1" Hose Barb	1
10	8.757-478.0	Label pump Hotsy HX8043R.2 (Models HD 8/35 G)	1
11	8.757-200.0	Adapter brass 1/2 SAE (M) x 1/2 NPTF (M)	1
12	8.757-942.0	Nipple 3/8 X 1/2 Hex Steel	1
13	8.757-486.0	Bushing, 3/4" X 1/2", Brass	1
14	8.757-257.0	Tee, street 1/2"	1
15	8.757-549.0	Pump protector 1/2 140°	1

VISTA DETALLADA DE LA BOMBA LT6036R

8.928-630.0 HT6036R.2 Right

G3 Evolution



TORQUE ESPECIFICACIÓN	
Elem #	Ft.-Lbs.
14	95
15	45
23	8
34	10
42	30
48	8

LISTA DE PARTES DE LA BOMBA LT6036R

ELEM	PARTE NO.	DESCRIPCIÓN	CANT	ELEM	PARTE NO.	DESCRIPCIÓN	CANT
1	8.752-825.0	Crankcase	1	19	See Kit Below	Valve Seat	6
2*	See Kit Below	Plunger Oil Seal	3	20	See Kit Below	Valve Plate	6
3*	See Kit Below	O-Ring Ø1.78 x 37.82	3	21	See Kit Below	Valve Spring	6
4*	See Kit Below	"Pressure Ring, Brass	3	22	See Kit Below	Valve Cage	6
5*	See Kit Below	"U" Seal 18mm	3	23	8.725-830.0	Hexagonal Screw	8
6*	See Kit Below	Intermediate Ring, 18mm	3	24	9.802-884.0	Washer	8
7*	See Kit Below	"U" Seal, 18mm	3	25	9.803-182.0	Closed Bearing Housing	1
8	9.802-926.0	Brass Plug, G1/2	1	26	9.803-186.0	O-Ring Ø2.62 x 71.12	2
9	9.803-199.0	Cooper Washer 1/2	1	27	9.803-160.0	Roller Bearing	2
10	8.753-816.0	Manifould Housing	1	28	8.753-818.0	Crankshaft Ø24 (4540)	1
11*	9.804-498.0	O-Ring Ø2.62 x 25.1	6		8.752-827.0	Crankshaft Ø24 (6036)	1
12*	See Kit Below	Valve Assembly	6	29	9.803-167.0	Cranckshaft Key	1
13*	9.803-193.0	O-Ring 3068	6	30	8.752-834.0	Oil Dipstick	1
14	9.802-928.0	Valve Plug	6	31	9.803-139.0	Crankshaft Seal	1
15	8.753-817.0	Manifould Stud Bolt	8	32	9.803-177.0	Shim	2
16	9.802-890.0	Lock Washer	8	33	9.803-181.0	Bearing Housing	3
17	8.719-008.0	Cooper Washer 3/8	1	34*	8.752-841.0	Plunger Bolt	3
18	8.707-262.0	Brass Plug 3/8	1	35*	8.752-820.0	Bonded Seal	3

LISTA DE PARTES DE LA BOMBA LT6036R

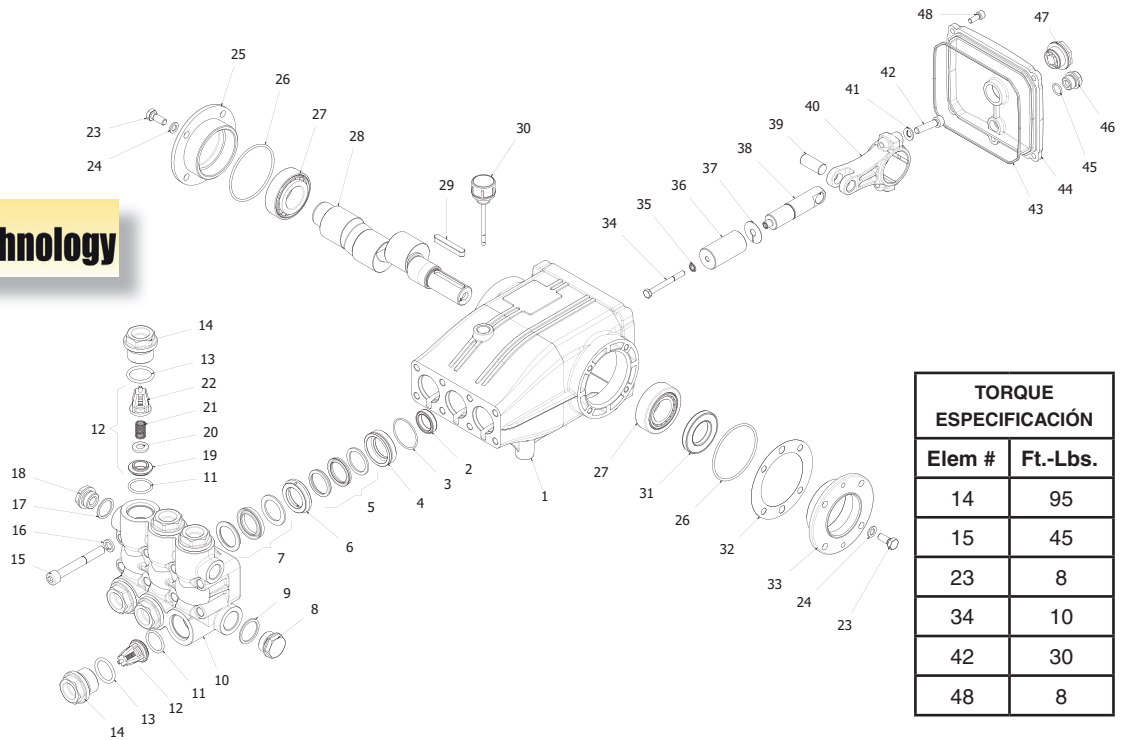
ELEM ENTO	PORTE NO.	DESCRIPCIÓN	CANT
36*	8.753-819.0	Plunger 18mm	3
37*	8.752-823.0	Copper Spacer	3
38	See Kit Below	Plunger Rod	3
39	8.752-822.0	Connecting Rod Pin	3
40	8.752-821.0	Connecting Rod	3
41	9.802-889.0	Spring Washer	6
42	9.802-937.0	Connecting Rod Screw	6
43	9.803-194.0	O-Ring Ø2.62 x 152.07	1
44	8.752-826.0	Crankcase Cover	1
45	9.803-906.0	O-Ring Ø1.78 x 14.00	1
46	8.707-262.0	Brass Plug G 3/8	1
47	9.803-202.0	Sight Glass G3/4	1
48	8.752-824.0	Cover Screw	5

* Disponible en Kit (Ver abajo)

KIT DE REPARACIÓN	8.753-821.0	8.753-822.0	8.753-823.0	8.753-824.0	8.752-835.0
KIT DESCRIPCIÓN	Plunger Seal 18mm	Seal Packing 18mm	Plunger 18mm	Complete Valve	Plunger Oil Seals
NÚMEROS DE ARTÍCULO INCLUIDOS	3,5,7	3,4,5,6,7	34,35,36,37	11,12,13	2
NO. DE KIT DE CILINDROS	3	1	1	6	3

VISTA DETALLADA DE LA BOMBA HX8043R

8.928-642.0 HX8043R.2 Right



TORQUE ESPECIFICACIÓN	
Elem #	Ft.-Lbs.
14	95
15	45
23	8
34	10
42	30
48	8

LISTA DE PARTES DE LA BOMBA HX8043R

ELEM ENTO	PARTE NO.	DESCRIPCIÓN	CANT	ELEM ENTO	PARTE NO.	DESCRIPCIÓN	CANT
1	8.752-825.0	Crankcase	1	19	See Kits Below	Valve Seat	6
2*	See Kits Below	Plunger Oil seal	3	20	See Kits Below	Valve Plate	6
3*	See Kits Below	O-Ring Ø1.78 x 37.82	3	21	See Kits Below	Valve Spring	6
4*	See Kits Below	Pressure Ring	3	22	See Kits Below	Valve Cage	6
5*	See Kits Below	U-Seal, 25mm	3	23	8.752-830.0	Hex Screw	8
6*	See Kits Below	Intermediate Ring	3	24	9.802-884.0	Washer	8
7*	See Kits Below	U-Seal	3	25	9.803-182.0	Closed Bearing Housing	1
8*	9.803-285.0	Brass Plug, G3/4"	1	26	9.803-186.0	O-Ring Ø2.62 x 71.12	2
9	9.803-286.0	Washer, Copper 3/4"	1	27	9.803-160.0	Roller Bearing	2
10	8.752-831.0	Manifold Housing Ø22/Ø20	1	28	8.752-828.0	Crankshaft Ø25 (5843)	1
11	8.752-836.0	O-Ring Ø2.62 x 21.89	6	28	8.752-829.0	Crankshaft Ø25 (8043, 9536)	1
12*	See Kits Below	Valve Assembly	6	28	8.752-827.0	Crankshaft Ø25 (1036)	1
13*	9.803-287.0	O-Ring Ø3.53 x 25.80-134	6	29	9.803-293.0	Crankshaft Key	1
14	8.752-855.0	Valve Plug	6	30	8.752-834.0	Oil Dop Stick	1
15	8.752-833.0	Manifold Stud Bolt	8	31	9.803-139.0	Crankshaft Seal	1
16	9.802-890.0	Lock Washer	8	32	9.803-177.0	Shim	2
17	9.803-199.0	Copper Washer 1/2"	1	33	9.803-181.0	Bearing Housing	1
18	9.802-926.0	Brass Plug 1/2"	1	34*	8.752-841.0	Plunger Bolt	3

LISTA DE PARTES DE LA BOMBA HX8043R

ELEM ENTO	PARTE NO.	DESCRIPCIÓN	CANT
35*	8.752-820.0	Bonded Seal	1
36*	8.752-846.0	Plunger, 20mm (5843, 8043)	3
	8.752-847.0	Plunger, 22mm (9539, 1036)	3
37*	8.752-823.0	Copper Spacer	3
38*	8.752-842.0	Plunger Rod	3
39*	8.752-822.0	Connecting Rod Pin	3
40	8.752-821.0	Connecting Rod	3
41*	9.802-889.0	Spring Washer	6
42*	9.802-937.0	Connecting Rod Screw	6
43	9.803-194.0	O-Ring Ø2.62 x 152.07	1
44	8.752-826.0	Crankase Cover	1
45	9.803-906.0	O-Ring Ø1.78 x 14.00	1
46	8.707-262.0	Brass Plug G3/8"	1
47	9.803-202.0	Sight Glass G3/4"	1
48	8.752-824.0	Cover Screw	5

*Disponible en Kit (Ver abajo)

KIT DE REPARA- CIÓN NO.	8.752-843.0	8.725-844.0	8.725-849.0	8.725-850.0	8.752-838.0	8.752-839.0	8.752-853.0	8.752-835.0
KIT DESCRIPCIÓN	Plunger Seal 20 mm (5843, 8043)	Plunger Seal 22 mm (9536, 1036)	Seal Packing 22 mm (5843, 8043)	Seal Packing 22 mm (9536, 1036)	Plunger 20 mm (5843, 8043)	Plunger 22 mm (9536, 1036)	Complete Valve	Plunger Oil Seals
NÚMEROS DE ARTÍCULO INCLUIDOS	3, 5, 7	3, 5, 7	3, 4, 5, 6, 7	3, 4, 5, 6, 7	34, 35, 36, 37	34, 35, 36, 37	11, 12, 13	2
NO. DE KIT DE CILINDROS	3	3	1	1	1	1	6	6

CONTENU

Renseignements importants concernant la sécurité	66 - 68
Identification des composants	69
Instructions d'assemblage	70
Instructions de fonctionnement.....	71 - 72
Installation.....	73
Entretien	74
Détergents et techniques générales de nettoyage	75 - 76
Arrêt et nettoyage	76
Remisage.....	77
Maintenance préventive (Modèles: HHD 5/30 G, HHD 6/30 G, HHD 8/35 G, HHD 3.4/30 D).....	78
Dépannage (Modèles: HHD 5/30 G, HHD 6/30 G, HHD 8/35 G, HHD 3.4/30 D)	79 - 81
Registre des vidanges d'huile.....	82
Liste de pièces de rechange.....	83 - 97

Numéro du modèle _____

Numéro de série _____

Date d'achat _____

Le numéro du modèle et le numéro de série se trouvent sur une étiquette apposée sur la laveuse à pression. Nous recommandons de noter le numéro de série et la date d'achat et de les conserver en lieu sûr pour référence ultérieure.

PRÉSENTATION ET RENSEIGNEMENTS IMPORTANTS CONCERNANT LA SÉCURITÉ

Nous vous remercions d'avoir acheté cette laveuse à pression.

Nous nous réservons le droit d'apporter des modifications en tout temps sans la moindre obligation.

Responsabilité du propriétaire et de l'utilisateur :

Le propriétaire et l'utilisateur doivent bien comprendre les instructions de fonctionnement du fabricant ainsi que les avertissements avant d'utiliser cette laveuse à pression. Il est primordial de bien comprendre les renseignements contenus dans les avertissements. Si l'opérateur ne parle pas couramment l'anglais, le propriétaire de la laveuse à pression devra lire et expliquer les instructions et les avertissements du fabricant à l'opérateur dans sa langue maternelle, en s'assurant qu'il comprend bien ces instructions et ces avertissements.

Le propriétaire et l'utilisateur doivent lire attentivement les instructions du fabricant et les conserver en lieu sûr pour référence ultérieure.

L'opérateur doit savoir comment arrêter rapidement la machine et comprendre le fonctionnement de toutes les commandes. Ne jamais autoriser une autre personne à mettre le moteur en marche sans les instructions appropriées.

CONSERVER CES INSTRUCTIONS.

Ce manuel doit être considéré comme étant une pièce permanente de la machine et devra être remis au nouveau propriétaire en cas de revente.

Au moment de commander des pièces, préciser le numéro de modèle et le numéro de série de la laveuse à pression. N'utiliser que des pièces de rechange identiques.

Cette machine doit être utilisée uniquement par des opérateurs formés.

RENSEIGNEMENTS IMPORTANTS CONCERNANT LA SÉCURITÉ



AVERTISSEMENT : Pour réduire le risque de blessures, lire attentivement les instructions de fonctionnement avant l'utilisation.

1. Lire attentivement le manuel de l'utilisateur. Le non-respect des instructions pourrait causer une défaillance de la machine et entraîner la mort, des blessures corporelles graves et des dommages à la propriété.

2. Il est important de savoir comment arrêter rapidement la machine et abaisser la pression. Connaître à fond les commandes.

3. Faire preuve de vigilance – se concentrer sur le travail à faire.



AVERTISSEMENT : Garder la lance, le boyau et le jet d'eau à l'écart de tout câblage électrique ou des chocs électriques mortels pourraient survenir.

4. Toutes les installations doivent être conformes aux codes locaux. Communiquer avec un électricien, un plombier, une

entreprise de services publics ou le concessionnaire vendeur pour connaître les détails particuliers.



AVERTISSEMENT : Cette machine excède 85 dB et une protection de l'ouïe appropriée doit être portée.

AVERTISSEMENT : Un jet haute pression peut écailler la peinture ou provoquer l'émission d'autres



particules dans l'air et leur projection à hautes vitesses. Afin d'éviter des blessures personnelles, des dispositifs de sécurité pour les yeux, les mains et les pieds doivent être portés.

5. Une protection pour les yeux, les mains et les pieds doit être portée lorsque cet équipement est utilisé.

6. S'assurer de placer l'équipement dans un endroit isolé.



AVERTISSEMENT : Des liquides inflammables peuvent produire des vapeurs qui peuvent s'enflammer, causant ainsi des dommages à la propriété ou des blessures graves.

AVERTISSEMENT : Risque d'explosion – utiliser uniquement dans des endroits où l'utilisation d'une flamme nue ou d'une torche est permise.

RENSEIGNEMENTS IMPORTANTS CONCERNANT LA SÉCURITÉ



AVERTISSEMENT : Risque d'incendie – ne pas ajouter de carburant pendant que la machine fonctionne ou est encore chaude.

AVERTISSEMENT : Ne pas utiliser de carburant, de drainage du carter de moteur ou de carburant contenant de l'huile, de solvants ou de l'alcool. Cela risquerait de causer un incendie et une explosion.

AVERTISSEMENT : Risque d'incendie – ne pas pulvériser de liquides inflammables.

AVERTISSEMENT : Ce produit contient des produits chimiques reconnus dans l'État de la Californie comme causant le cancer, des anomalies congénitales ou d'autres problèmes liés à la reproduction. Le fonctionnement de cet équipement peut produire des étincelles qui peuvent être la cause d'un début d'incendie dans des endroits de végétation sèche. Un pare-étincelles peut être requis. L'opérateur doit contacter : Les agences locales de services d'incendie en ce qui concerne les lois et réglementations relatives à la prévention des incendies.

7. Laisser le moteur refroidir pendant une à deux minutes avant de faire le plein. Si du carburant est répandu, s'assurer que la zone est sèche avant de tester la bougie d'allumage ou de démarrer le moteur. (Le non-respect de cet avertissement peut causer un incendie et une explosion).

Les moteurs à essence des équipements mobiles ou portables doivent être ravitaillés en carburant :

- a. à l'extérieur;
- b. avec le moteur de l'équipement arrêté;
- c. sans source d'inflammation dans un rayon de 30 mètres (10 pieds) du point de distribution et
- d. en laissant un volume suffisant pour la dilatation du carburant si l'équipement doit être exposé à une température ambiante plus élevée.

En cas de remplissage excessif, prendre les mesures supplémentaires qui s'imposent afin de s'assurer que la situation est gérée en toute sécurité.

8. Pendant son fonctionnement, ne pas placer la machine à proximité d'objets inflammables, car le moteur est chaud.
9. Ne pas stocker ni utiliser de carburant à proximité de cette machine.



AVERTISSEMENT: Risque de blessures. Les surfaces chaudes peuvent causer des brûlures. Utiliser uniquement les zones de prise désignées du pistolet pulvérisateur et de la lance. Ne pas placer les mains ou les pieds sur des endroits non isolés de la laveuse à pression.

10. Le réservoir de carburant doit être VIDE ou la soupape d'arrêt du carburant doit être FERMÉE pour le transport et les réparations de la machine.
11. Pour réduire le risque de blessures, une surveillance étroite doit être exercée lorsqu'un appareil est utilisé à proximité d'enfants. Ne pas laisser les enfants utiliser la laveuse à pression. **La présence d'une personne est exigée pendant le fonctionnement de cette machine.**



AVERTISSEMENT: Agripper la lance de nettoyage avec les deux mains avant de commencer. Le non-respect de cette consigne pourrait mener à des blessures causées par le mouvement violent de la lance.

12. Ne jamais effectuer des réglages sur la machine pendant son fonctionnement.
13. S'assurer que tous les raccords rapides sont sécurisés avant d'utiliser la laveuse à pression.



AVERTISSEMENT : La haute pression générée par ces machines causera des lésions corporelles ou des dommages à l'équipement. Se tenir à l'écart de la buse. Faire preuve de prudence lors de l'utilisation. Ne pas décharger directement le jet vers des gens, cela pourrait causer des blessures graves voire la mort.



AVERTISSEMENT : Protéger la machine contre le gel.

14. Pour maintenir la machine dans les meilleures conditions de fonctionnement, il est important de la protéger contre le gel. Si la machine n'est pas protégée contre le gel, cela pourrait causer une défaillance de la machine et entraîner la mort, des blessures corporelles graves

RENSEIGNEMENTS IMPORTANTS CONCERNANT LA SÉCURITÉ

et des dommages à la propriété. Suivre les instructions de remisage précisées dans ce manuel.

15. L'arrivée d'eau doit être de l'eau propre et fraîche dont la température est inférieure à 32 °C (90 °F).

AVERTISSEMENT



RISQUE D'ASPHYXIE :
UTILISER CE PRODUIT
UNIQUEMENT DANS UN
ENDROIT BIEN VENTILÉ.

AVERTISSEMENT : Risque d'asphyxie. Utiliser ce produit uniquement dans un endroit bien ventilé.

16. L'utilisation de ce produit à l'intérieur peut causer la mort par monoxyde de carbone, un gaz toxique incolore et inodore. Ne jamais utiliser à l'intérieur, même si les fenêtres et les portes sont ouvertes. Utiliser uniquement à l'extérieur et à l'écart des fenêtres, des portes et des ouvertures ou fentes de ventilation.

17. Le fabricant ne sera pas tenu responsable des modifications apportées à ses machines standards ni des composants qui n'auront pas été achetés chez lui.
18. La meilleure assurance contre un accident est les précautions et les connaissances de la machine.

AVERTISSEMENT



RISQUE DE BLESSURES
EN TOMBANT D'UNE
ÉCHELLE

AVERTISSEMENT : Faire preuve d'une extrême prudence au moment d'utiliser une échelle, des échafaudages ou toute autre surface relativement instable. La zone de nettoyage doit avoir une pente et un drainage adéquats pour réduire la possibilité d'une chute due à une surface glissante.

19. Ne pas laisser de liquides acides, caustiques ou abrasifs passer dans la pompe.

AVERTISSEMENT



SI LA MACHINE EST
CONNECTÉE À UNE
SOURCE D'EAU PO-
TABLE, PRENDRE LES
MESURES NÉCESSAIRES
POUR ÉVITER UN
RETOUR D'EAU DANS
L'APPROVISIONNEMENT
EN EAU.

AVERTISSEMENT : Si une connexion est établie avec un approvisionnement en eau potable, un dispositif de protection contre le retour d'eau doit être fourni.

20. Ne jamais faire fonctionner la pompe à sec ni laisser le pistolet pulvérisateur fermé pendant plus d'une à deux minutes.
21. Les machines équipées d'un pistolet pulvérisateur à obturateur ne doivent pas fonctionner avec le pistolet pulvérisateur en position fermée pendant des périodes prolongées, car cela risquerait d'endommager la pompe.
22. Protéger le tuyau de refoulement contre la circulation des véhicules et les objets pointus ou tranchants. Inspecter l'état du tuyau haute pression avant d'utiliser la machine afin d'éviter des blessures corporelles.
23. Avant de déconnecter le tuyau de refoulement de la sortie d'eau, ouvrir le pistolet pulvérisateur pour évacuer la pression.
24. Ne pas se pencher trop en avant ou se tenir sur un support instable. Toujours garder une position stable et sûre.
25. Ne pas utiliser cette machine en cas de fatigue ou sous l'influence de l'alcool, de médicaments d'ordonnance ou de drogues.
26. **AVERTISSEMENT: Porter une protection des yeux, des mains et de la peau au moment de manipuler ou de connecter la batterie.**

Les batteries génèrent des gaz explosifs au cours de leur fonctionnement normal.

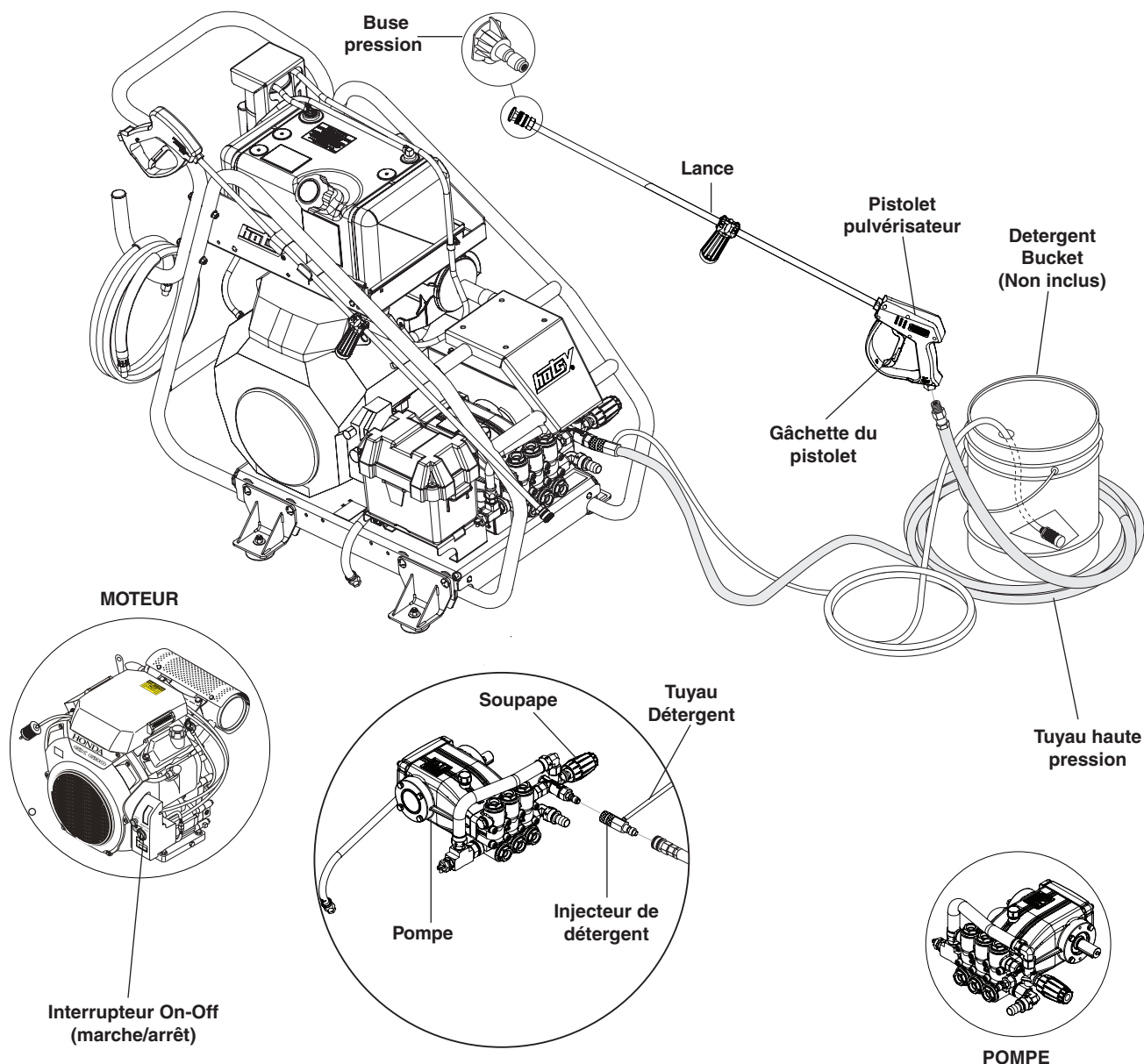
NE PAS exposer la batterie aux flammes ou aux étincelles, car ces gaz pourraient s'enflammer.

Le liquide de batterie est très acide. Si le liquide de batterie entre en contact avec la peau ou les vêtements, laver immédiatement à l'eau et au savon. Si le liquide de la batterie entre en contact avec les yeux, rincer immédiatement les yeux avec de l'eau froide pendant au moins 15 minutes, puis obtenir des soins médicaux immédiats.



Suivre les instructions d'entretien spécifiées dans le manuel.

IDENTIFICATION DES COMPOSANTS



Pompe — génère de la haute pression.

Poignée du démarreur – utilisée pour démarrer le moteur manuellement.

Pistolet pulvérisateur – contrôle l'application d'eau et de détergent sur les surfaces de nettoyage au moyen d'un dispositif à gâchette. Équipé d'un dispositif de sécurité.

Soupape de marche à vide – dispositif de sécurité qui permet d'évacuer la pression lorsque le pistolet pulvérisateur est fermé

Injecteur de détergent – permet de siphonner et de mélanger les détergents. (Non vendu avec la machine)

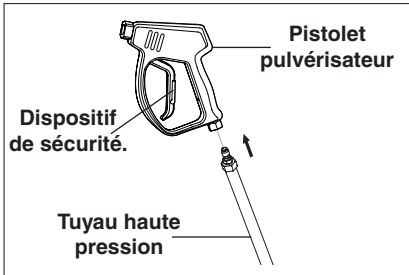
Lance – doit être raccordée au pistolet pulvérisateur.

Tuyau haute pression – raccorder une extrémité au raccord fileté de la pompe à eau et l'autre extrémité au pistolet pulvérisateur.

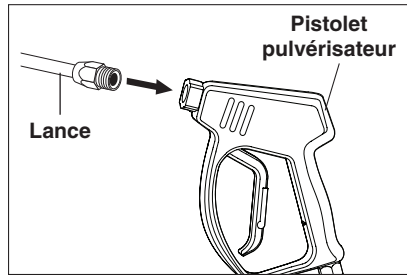
Protecteur de la pompe – fait circuler de l'eau fraîche dans la pompe, puis la refait circuler lorsque l'eau atteint une température de 60 °C (140 °F).

Remarque : Si la gâchette du pistolet pulvérisateur est relâchée pendant plus d'une à deux minutes, de l'eau fuira de la soupape. De l'eau chaude s'écoulera du protecteur de la pompe sur le sol. Ce système empêche des dommages internes de la pompe.

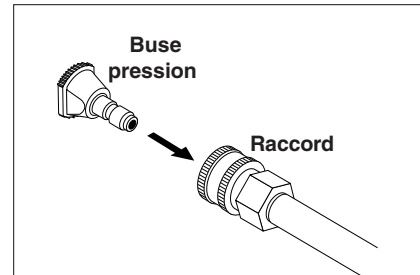
INSTRUCTIONS D'ASSEMBLAGE



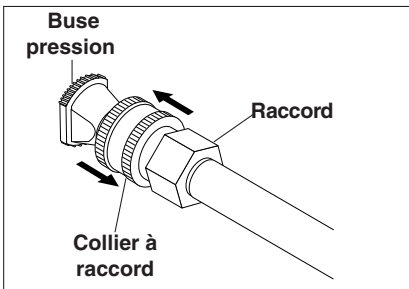
ÉTAPE 1: Fixer le tuyau haute pression sur le pistolet pulvérisateur à l'aide du ruban de téflon sur les filetages du tuyau.



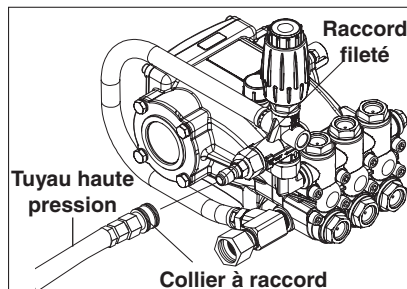
ÉTAPE 2: Fixer la lance sur le pistolet pulvérisateur à l'aide du ruban de téflon sur les filetages de la lance.



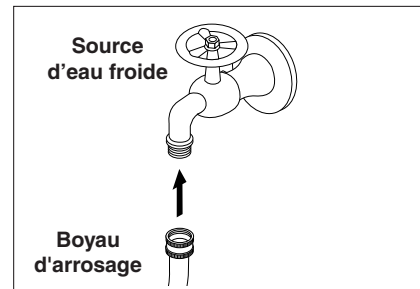
ÉTAPE 3: Tirer le collier à ressort vers l'arrière pour insérer la buse de projection choisie.



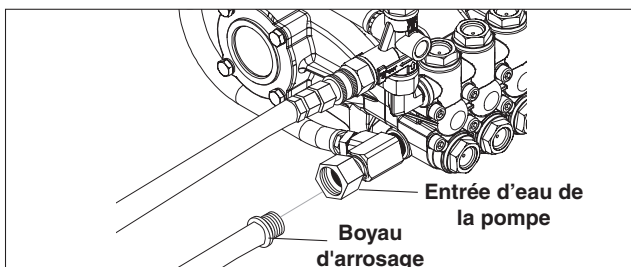
ÉTAPE 4: Relâcher le collier à raccord rapide, puis pousser la buse jusqu'à ce que le collier s'enclenche en place. Tirer sur la buse pour s'assurer qu'elle repose correctement en place.



ÉTAPE 5: Raccorder le tuyau haute pression au raccord fileté. Pousser le collier à raccord rapide vers l'avant jusqu'à ce qu'il soit solidement en place.



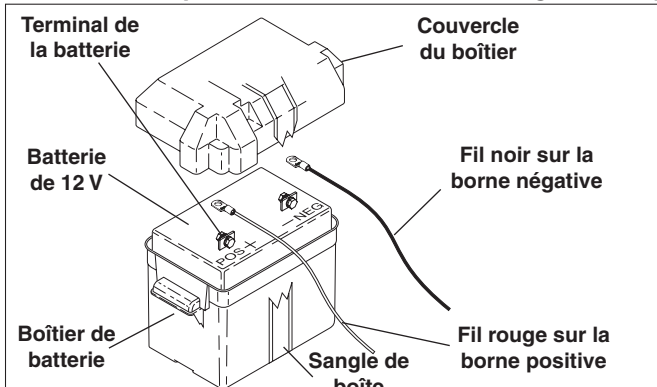
ÉTAPE 6: Raccorder le boyau d'arrosage à la source d'eau froide



ÉTAPE 7: Connecter l'alimentation en eau à l'entrée d'eau de la pompe.

MISE EN GARDE : Ne pas faire fonctionner la pompe sans eau pour éviter d'endommager la pompe.

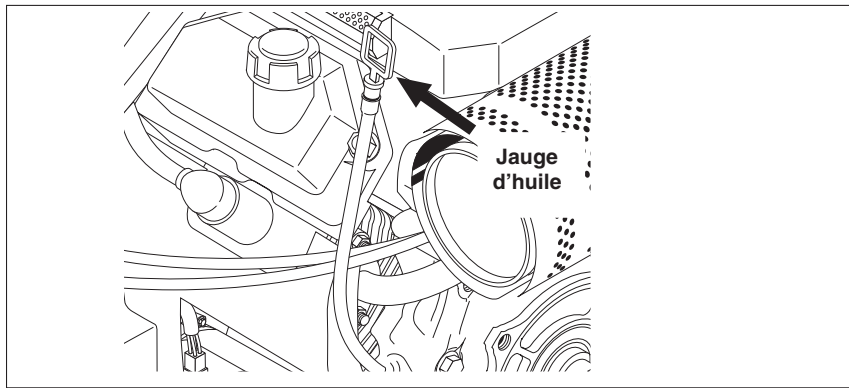
ÉTAPES 8 et 9 pour les machines à démarrage électrique



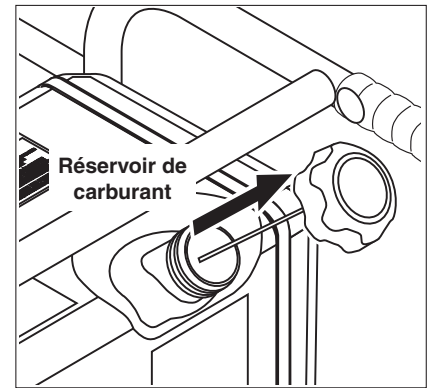
ÉTAPE 8: Insérer la batterie dans le boîtier de batterie. Utiliser une batterie de 12 V avec une capacité minimale de 24 A/h.

ÉTAPE 9: Afin de réduire la possibilité d'étincelles, brancher les fils sur la batterie dans l'ordre suivant. Consulter l'image ci-contre. Premièrement, brancher le fil rouge sur la borne positive « + » de la batterie et le fil noir sur la borne négative « - » de la batterie. Pour débrancher la batterie, retirer les fils dans l'ordre inverse. Installer le couvercle du boîtier de batterie, puis le fixer en place.

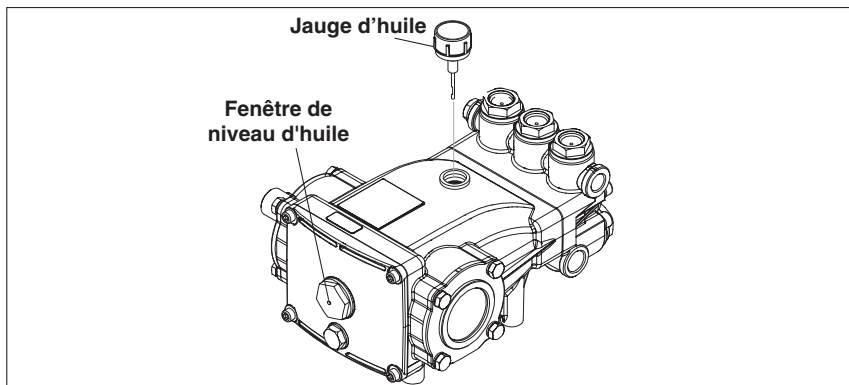
INSTRUCTIONS DE FONCTIONNEMENT



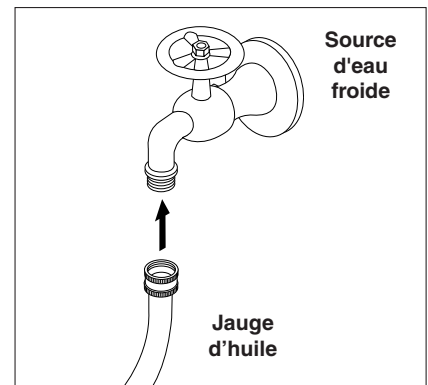
ÉTAPE 1: Vérifier le niveau d'huile moteur. Le niveau d'huile doit être aligné avec le bas du goulot de remplissage d'huile. S'assurer que la machine se trouve sur une surface plane avant de vérifier le niveau d'huile. (Consulter le mode d'emploi du moteur joint à la machine.) L'huile du moteur devrait être changée après les 20 premières heures d'utilisation, puis toutes les 100 heures par la suite **Remarque** : Un niveau d'huile incorrect causera l'arrêt du moteur par le capteur de bas niveau d'huile. **IMPORTANT! Ne pas faire fonctionner le moteur si le niveau d'huile est trop haut ou trop bas, car cela risquerait d'endommager le moteur.**



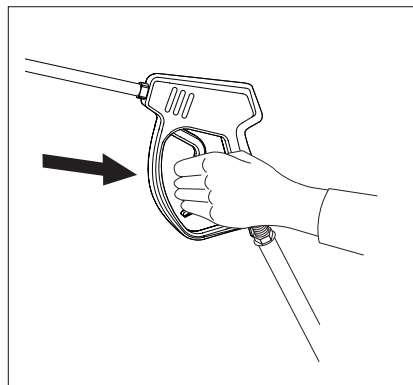
ÉTAPE 2: Remplir le réservoir de carburant avec le carburant approprié (essence sans plomb ou diesel comme indiqué sur le réservoir). Ne pas utiliser d'essence au plomb.



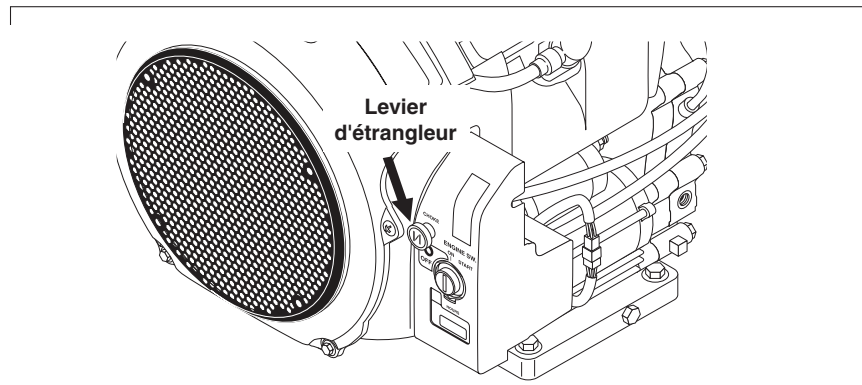
ÉTAPE 3: Retirer le bouchon d'expédition, puis installer la jauge d'huile. Vérifier le niveau d'huile à l'aide de la jauge d'huile ou observer le niveau d'huile dans la fenêtre de niveau d'huile (selon l'équipement). Utiliser de l'huile 10W-40 non détergente.



ÉTAPE 4: Raccorder le boyau d'arrosage à la source d'eau froide, puis ouvrir l'eau complètement. Ne jamais utiliser d'eau chaude.

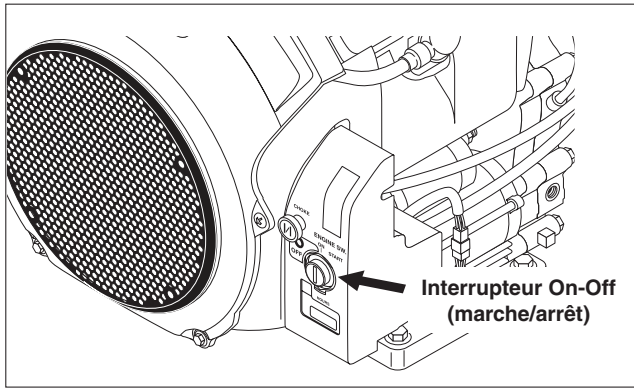


ÉTAPE 5: Appuyer sur la gâchette du pistolet pulvérisateur pour évacuer l'air emprisonné, puis patienter jusqu'à ce qu'un flux d'eau constant s'échappe de la buse de vaporisation.

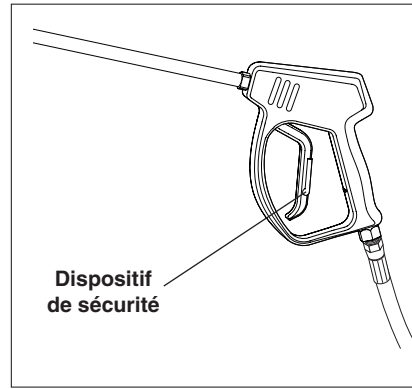


ÉTAPE 6: Tirer le levier d'étrangleur vers l'extérieur jusqu'à la position « Choke » (étrangleur) (sur un moteur chaud, laisser le levier d'étrangleur en position de marche). Pousser le levier d'étrangleur jusqu'à la position « Closed » (fermé). Pour redémarrer un moteur chaud, laisser le levier d'étrangleur en position « Open » (ouvert).

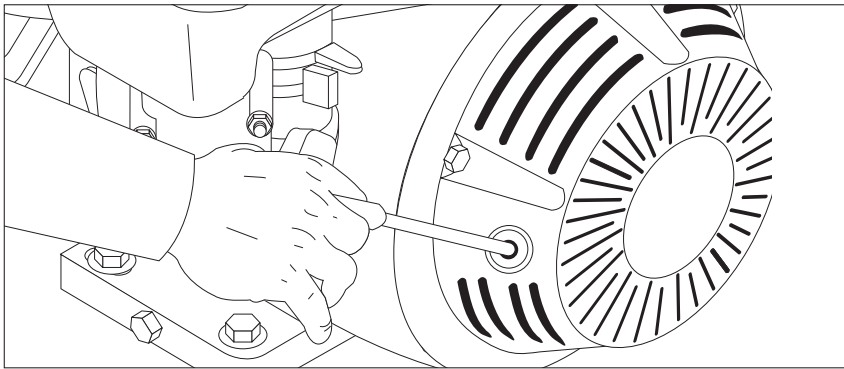
INSTRUCTIONS DE FONCTIONNEMENT



ÉTAPE 7: Mettre l'interrupteur du moteur à la position « ON » (marche).

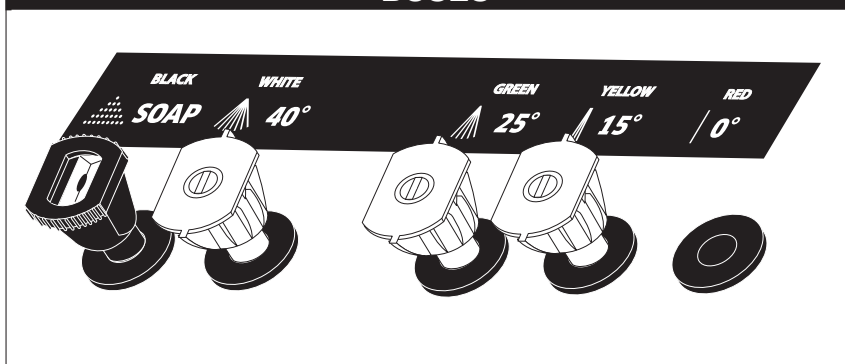


⚠ AVERTISSEMENT! Ne jamais remplacer les buses sans d'abord mettre le dispositif de sécurité sur la détente du pistolet pulvérisateur.



⚠ AVERTISSEMENT! Le retour du cordon de lancement (rétraction rapide) peut causer des lésions corporelles. La rétraction rapide de la corde du démarreur (recul) attire la main et le bras vers le moteur plus vite qu'il n'est possible de lâcher la corde. **TOUJOURS** réduire la pression du pistolet pulvérisateur avant de tirer sur le cordon du démarreur. Tirer lentement sur le cordon du démarreur jusqu'à ce qu'une résistance soit sentie, puis tirer rapidement.

BUSES



Les quatre buses à raccord rapide et à code de couleurs fournissent une vaste plage de largeurs de pulvérisation comprises entre 15 et 40 degrés. Elles sont facilement accessibles lorsqu'elles sont placées dans le support de buse en caoutchouc pratique situé à l'avant de la machine.

REMARQUE: Pour un rinçage plus doux, choisir la buse blanche de 40 degrés ou la buse verte de 25 degrés. Pour récurer la surface, choisir la buse jaune de 15 degrés. Pour appliquer un détergent, choisir la buse noire.

INSTALLATION

INSTALLATION, DÉMARRAGE

IMPORTANT : Une installation initiale correcte de l'équipement assurera une performance plus satisfaisante, une durée de vie plus longue et un plus faible coût d'entretien.

IMPORTANT : L'utilisation d'un disconnecteur sur le tuyau d'entrée d'eau est recommandée et peut être exigée par un code local.

IMPORTANT : NE PAS faire fonctionner la machine à l'intérieur ni dans un espace clos avec des températures ambiantes élevées. Des températures ambiantes élevées (supérieures à 37 °C (100° F)) peuvent endommager l'huile moteur et réduire considérablement la performance du moteur.

VENTILATION

MISE EN GARDE : Toute la ventilation doit être conforme aux lois fédérales et de l'État ou de la province, et aux réglementations locales applicables. Consulter des entrepreneurs en systèmes de chauffage locaux.

INSTALLATION

Si la laveuse à pression doit être utilisée dans un endroit clos, un conduit doit être installé pour évacuer les gaz d'échappement à l'extérieur. Une circulation d'air insuffisante peut causer un dysfonctionnement de la laveuse à pression.

Lors du choix du lieu d'installation, il est important de savoir que les ventilateurs extracteurs peuvent causer une insuffisance d'approvisionnement en oxygène dans des espaces dont l'aération est insuffisante.

Une bonne combustion peut uniquement être obtenue lorsque l'approvisionnement en oxygène est suffisant par rapport au volume de carburant brûlé. Si la machine doit être installée dans un espace où l'aération est insuffisante, elle devra être ventilée par de l'air frais extérieur.

Installer la laveuse à pression de façon à ce que le conduit soit aussi droit que possible et s'élève du toit à une bonne hauteur et une bonne position pour fournir une circulation d'air appropriée.

Un régulateur de tirage (que l'on retrouve chez la majorité des entrepreneurs en systèmes de chauffage) doit être installé dans le conduit de cette laveuse à pression à moteur diesel. Le régulateur de tirage permettra un bon écoulement vers le haut des gaz du conduit d'échappement.

APPROVISIONNEMENT EN EAU

Le débit de l'approvisionnement en eau doit être supérieur à celui de la machine. Le débit d'eau peut être vérifié en utilisant un seau de 20 litres (5 gallons) et un chronomètre. Si le débit d'eau de la machine est de 20 litres/minute (5 gal/min) et que le seau se remplit en moins d'une minute, l'approvisionnement en eau est correct. Le débit de certains systèmes d'approvisionnement en eau peut varier si d'autres appareils sont utilisés en même temps, par exemple : une laveuse, les systèmes d'abreuvement du bétail et les chasses d'eau. S'assurer que le débit d'eau reste approprié lorsque la laveuse à pression est en fonctionnement. La température du canon à eau excède 62 degrés Celsius (145 degrés Fahrenheit) sur les modèles standards et 82 degrés Celsius (180 degrés Fahrenheit) sur modèles à haute température et la pression ne doit pas excéder 60 PSI. Si la laveuse à pression reçoit un approvisionnement en eau insuffisant, cela aura pour conséquence d'endommager la pompe.

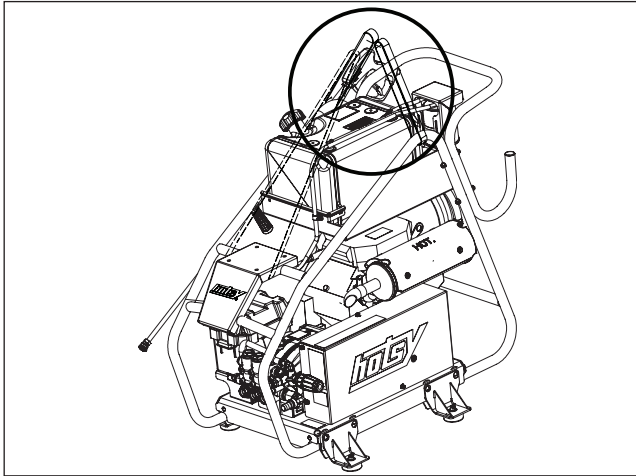
!NE PAS FAIRE FONCTIONNER LA POMPE À SEC!

AVANT LE DÉMARRAGE

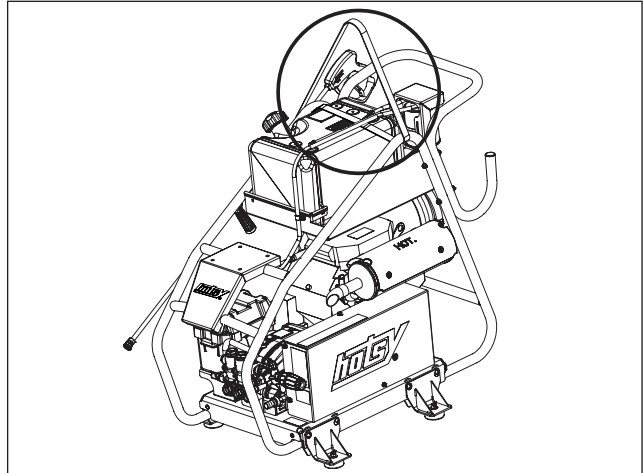
Raccorder le tuyau d'alimentation en eau à l'entrée d'eau (connecteur de boyau d'arrosage standard). Le robinet d'eau et le tuyau d'alimentation en eau doivent pouvoir apporter un débit suffisant à la machine.

Recommandations pour soulever la machine.

Ne pas soulever la machine. Consulter l'image.



Peut endommager le réservoir de carburant.



ENTRETIEN

POMPE

NE PAS FAIRE :

1. Pomper des acides.
2. Oublier de préparer la machine pour l'hiver en cas de températures glaciales.
3. Laisser la pompe fonctionner à sec.
4. Laisser la machine fonctionner avec le pistolet fermé pendant plus de trois minutes, car cette opération peut endommager la pompe.

FAIRE :

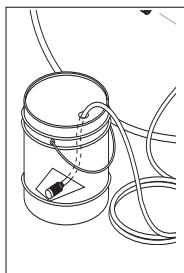
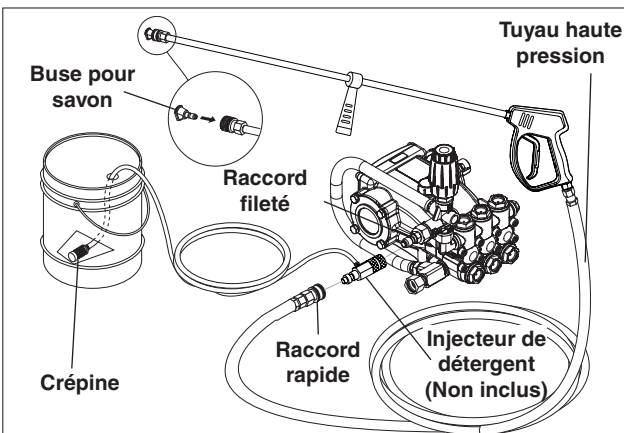
1. Installer un adoucisseur d'eau sur le circuit d'eau s'il est reconnu que son contenu en minéraux est élevé.
2. Utiliser uniquement des détergents de haute qualité et suivre les recommandations de mélange indiquées par le fabricant.
3. Immédiatement après l'utilisation de solutions détergentes, le système doit être soigneusement rincé à l'eau claire.
4. Nettoyer régulièrement la crépine du filtre du circuit de nettoyage.

DÉTERGENTS ET TECHNIQUES GÉNÉRALES DE NETTOYAGE



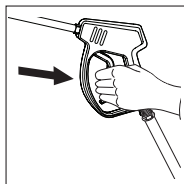
AVERTISSEMENT : Certains détergents peuvent être dangereux s'ils sont inhalés ou ingérés, provoquant de fortes nausées, des évanouissements et l'empoisonnement. Les éléments dangereux peuvent causer des dommages à la propriété ou des blessures graves.

ÉTAPE 1: Brancher l'injecteur de détergent optionnel sur le raccord fileté de la machine. Brancher le tuyau haute pression sur l'injecteur à raccord rapide. (Vérifier pour s'assurer que les manchons de fixation des raccords sont en bonne position avant d'appliquer la pression d'eau).



ÉTAPE 2: Utiliser un détergent spécialement conçu pour les laveuses à pression. Les détergents domestiques pourraient endommager la pompe. Préparer une solution détergente comme requise par le fabricant. Remplir un contenant de détergent pour laveuse à pression. Placer l'extrémité filtre du tube d'aspiration du détergent dans le contenant.

ÉTAPE 3: Avec le dispositif de sécurité enclenché sur le pistolet pulvérisateur, insérer la buse noire pour détergent dans le raccord rapide. **REMARQUE:** Ne pas utiliser les buses d'autres couleurs (jaune, verte ou blanche) pour appliquer le détergent.



ÉTAPE 4: Avec le moteur en marche, tirer sur la gâchette pour faire fonctionner la machine. Le détergent liquide est aspiré dans l'appareil et mélangé avec l'eau. Appliquer le détergent à la zone de travail. Ne pas laisser le détergent sécher sur la surface.

IMPORTANT : Le système d'injection de détergent doit être rincé après chaque utilisation en plongeant le tube d'aspiration dans un seau d'eau propre. Puis faire fonctionner la laveuse à basse pression pendant une à deux minutes.

PROTECTION THERMIQUE DE LA POMPE

Si le moteur de la laveuse haute pression fonctionne pendant une à deux minutes sans appuyer sur la gâchette du pistolet pulvérisateur, l'eau en circulation dans la pompe peut atteindre des températures élevées. Lorsque l'eau atteint cette température, la protection de la pompe se met en marche et refroidit la pompe en évacuant l'eau chaude sur le sol. Ce dispositif thermique empêche des dommages internes de la pompe.

CONSEILS POUR LE NETTOYAGE

Prérincer la surface à nettoyer à l'eau froide. Placer le tube d'aspiration du détergent directement dans la solution de nettoyage et appliquer sur la surface à basse pression (pour de meilleurs résultats, limiter la zone de travail en des sections d'environ un demi-mètre carré (6 pieds carrés) et toujours appliquer le détergent du bas vers le haut). Laisser le détergent ou le dégraissant sur la surface pendant 1 à 3 minutes. Ne pas laisser le détergent sécher sur la surface. Si la surface commence à sécher, il suffit de l'humidifier avec de l'eau froide. Si nécessaire, utiliser une brosse pour éliminer les saletés tenaces. Rincer à haute pression de haut en bas dans un mouvement de balayage uniforme en maintenant la buse de pulvérisation à une distance d'environ 30 centimètres (1 pied) de la surface de nettoyage. Utiliser des mouvements de chevauchement pendant le nettoyage et le rinçage des surfaces. Pour un meilleur nettoyage des surfaces, activer la pulvérisation à un angle légèrement incliné.

Recommandations :

- Avant de procéder au nettoyage, nettoyer un endroit peu visible afin de déterminer la distribution de la vaporisation et la distance pour des résultats de nettoyage optimaux.
- Si les surfaces peintes s'écaillent, faire preuve d'extrême prudence, car la laveuse à pression pourrait déloger la peinture décollée de la surface.
- Maintenir la buse de pulvérisation à une distance de sécurité de la surface à nettoyer. Nettoyer une petite surface à haute pression, puis vérifier si elle est endommagée ou non. Si aucun dommage n'est observé, poursuivre le nettoyage à pression.

⚠ MISE EN GARDE - Ne jamais utiliser:

- Eau de Javel, produits à base de chlore et autres produits chimiques corrosifs.
- Liquides contenant des solvants (c.-à-d. diluant à peinture, essence, huiles).
- Produits à base de tripolyphosphate de sodium.
- Produits ammoniacaux.
- Produits à base d'acide.

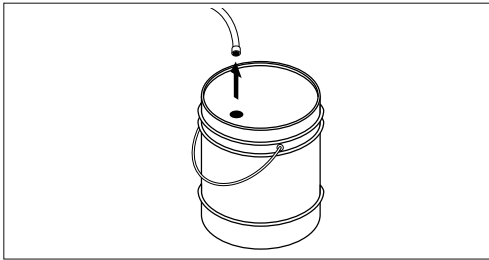
DÉTERGENTS ET TECHNIQUES GÉNÉRALES DE NETTOYAGE

Ces produits chimiques endommageront la machine et endommageront la surface étant nettoyée.

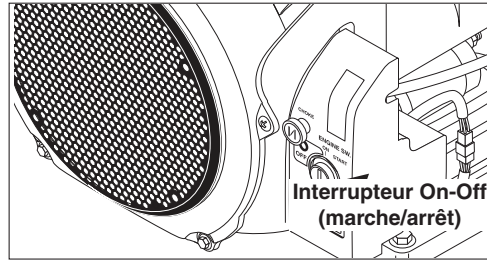
RINÇAGE

Le rinçage du détergent prendra quelques secondes. Appliquer le dispositif de sécurité sur le pistolet pulvérisateur. Retirer la buse noire de détergent du raccord rapide. Sélectionner et installer la buse haute pression souhaitée. **REMARQUE:** Pour arrêter le flux du détergent, retirer simplement le tube d'aspiration de la bouteille.

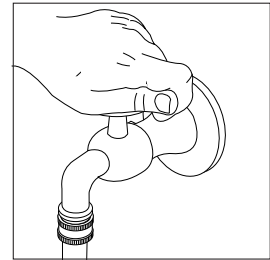
ARRÊT ET NETTOYAGE



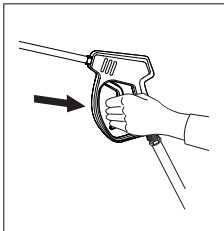
ÉTAPE 1: Retirer le tube d'aspiration du détergent du contenant, puis le plonger dans cinq litres (un gallon) d'eau claire. Faire glisser la buse vers l'avant pour une basse pression ou pour connecter la buse noire pour le détergent. Tirer la gâchette du pistolet pulvérisateur, puis aspirer l'eau pendant une minute.



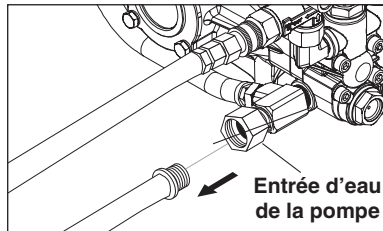
ÉTAPE 2: Arrêter le moteur



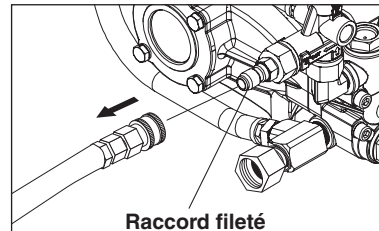
ÉTAPE 3: Fermer l'approvisionnement en eau



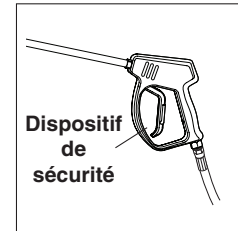
ÉTAPE 4: Déconnecter le tuyau haute pression du raccord fileté.



ÉTAPE 5: Activer le verrou de sécurité du pistolet pulvérisateur.



ÉTAPE 6: Appuyer sur la gâchette pour éliminer la pression d'eau.



ÉTAPE 7: Débrancher le boyau d'arrosage de l'entrée d'eau de la machine.

REMISAGE

MISE EN GARDE : *Toujours remiser la laveuse à pression dans un endroit où la température ne sera pas inférieure à 0 °C (32 °F). La pompe sur cette machine est susceptible de subir des dommages si elle est exposée au gel. LES DOMMAGES DUS AU GEL NE SONT PAS COUVERTS PAR LA GARANTIE.*

1. Arrêter la laveuse à pression, appuyer sur la gâchette du pistolet pulvérisateur pour évacuer la pression.
2. Décrocher le tuyau d'alimentation en eau et le tuyau haute pression.
3. Faire fonctionner la machine pendant quelques secondes, jusqu'à ce que toute l'eau soit évacuée. Arrêter immédiatement le moteur.
4. Vidanger le carburant et l'huile du moteur.
5. Éviter de plier le boyau à haute pression.
6. Ranger la machine et les accessoires dans un endroit où il n'y a pas de risque de gel.

MISE EN GARDE : *Le non-respect des directives ci-dessus entraînera des dommages à la laveuse à pression.*

Lorsque la laveuse à pression n'est pas utilisée ou est remise pendant plus d'un mois, suivre ces instructions :

1. Remplir le réservoir d'huile moteur jusqu'au niveau supérieur.
2. Vidanger le carburant du réservoir de carburant, du circuit de carburant, de la soupape de carburant et du carburateur.
3. Verser environ une cuillère à thé d'huile moteur dans l'orifice de la bougie d'allumage, tirer plusieurs fois la poignée du démarreur, puis remettre la bougie en place. Ensuite, tirer lentement la poignée du démarreur jusqu'à ressentir une augmentation de la pression, ce qui indique que le piston est à son point de compression et le laisser dans cette position. Cela ferme les vannes d'admission et d'échappement pour empêcher la rouille du cylindre.
4. Couvrir la laveuse à pression et la remiser dans un lieu sec, propre et bien ventilé à l'écart des flammes et des étincelles. **REMARQUE:** L'utilisation d'un additif pour carburant, comme STA-BIL®, ou un équivalent, réduira la formation de dépôts de carburant pendant le remisage. Ces additifs doivent être ajoutés au carburant dans le réservoir de carburant ou dans un contenant de stockage.

Après un remisage prolongé



MISE EN GARDE : *Avant de redémarrer, faire fondre la glace se trouvant sur les boyaux, le pistolet pulvérisateur ou la lance de la laveuse à pression.*

Entretien du moteur

Pendant les mois d'hiver, des conditions atmosphériques rares peuvent se développer et causer un état de gel dans le carburateur. Dans ce cas, le moteur peut commencer à avoir des ratés, perdre de la puissance et caler. Cet état temporaire peut être surmonté en diffusant l'air chaud du moteur vers le carburateur.

REMARQUE: Consulter le manuel du fabricant pour les réparations et l'entretien du moteur.

ENTRETIEN PRÉVENTIF

Pour les modèles : HHD 5/30 G, HHD 6/30 G, HHD 8/35 G, HHD 3.4/30 D

Cette laveuse à pression a été produite avec les meilleurs matériaux disponibles et un savoir-faire de qualité. Toutefois, en tant que propriétaire, l'utilisateur doit assumer certaines responsabilités pour un bon entretien de l'équipement. L'attention aux procédures régulières d'entretien préventif aidera à préserver la performance de l'équipement. Communiquer avec le concessionnaire pour les opérations d'entretien. Un entretien préventif régulier ajoutera de nombreuses heures à la durée de vie de la laveuse à pression. Effectuer des opérations d'entretien plus fréquentes en cas d'utilisation dans des conditions difficiles. Vérifier le niveau d'huile de la pompe et le niveau d'huile moteur avant la première utilisation de la laveuse à pression.

PROGRAMME D'ENTRETIEN		
Huile moteur SAE 10W-30	Inspecter	Quotidienne
	Changer	Premier mois ou 20 heures. Toutes les 100 heures ou tous les six mois après le premier mois
	Filtre	Toutes les 50 heures
Purificateur/filtre à air	Inspection ou vérification	Quotidienne ou à chaque utilisation
	Nettoyer	Tous les six mois ou toutes les 100 heures
	Remplacer	Tous les deux ans ou toutes les 500 heures (remplacer uniquement l'élément de filtre en papier)
Filtre à carburant moteur	Remplacer	Tous les ans ou toutes les 300 heures
Entretien de la bougie d'allumage		300 heures ou tous les ans
Nettoyage du réservoir à carburant		Tous les ans
Remplacer les circuits de carburant		Tous les ans
Huile de la pompe (Non moussante) SAE 10W-40	Inspecter	Niveau d'huile tous les jours ou à chaque utilisation
	Changer	Après les 50 premières heures, puis toutes les 500 heures ou tous les ans
Remplacer la buse haute pression		Tous les six mois
Remplacer les raccords rapides et les joints toriques		Tous les ans/au besoin
Nettoyer le filtre à eau		Toutes les semaines
Remplacer le tuyau haute pression		Tous les ans (en cas de signes d'usure)

*Lors de la vérification des courroies, ne dépassez pas 14 lb-pi sur les boulons de fixation de la pompe. Sinon, le filetage de la pompe sera endommagé.

REMARQUE : Lire le manuel du moteur pour les questions sur les réparations et l'entretien.

DÉPANNAGE

Pour les modèles: HHD 5/30 G, HHD 6/30 G, HHD 8/35 G, HHD 3.4/30 D

PROBLÈME	CAUSE POSSIBLE	SOLUTION
FONCTIONNEMENT PRESSION	Manomètre défaillant	Installer un nouveau manomètre.
	Approvisionnement en eau insuffisant. Robinet fermé. Tuyau d'entrée plié	Utiliser un plus grand tuyau d'eau; nettoyer le filtre à l'entrée d'eau. Ouvrir le robinet.
	Crépine du tuyau d'entrée bouchée	Vérifier l'absence de fuite dans le système de plomberie. Appliquer du ruban de téflon sur les fuites.
	Buse de pulvérisation ancienne, usée ou incorrecte	Faire correspondre le numéro de la buse à la machine ou remplacer par une nouvelle buse.
	Glissement de la courroie	Serrer ou remplacer; utiliser la bonne courroie
	Fuite dans le système de plomberie ou dans le tuyau	Vérifier l'absence de fuite dans le système de plomberie. Appliquer du ruban de téflon sur les fuites.
	Soupape de marche à vide défail- lante ou mal réglée	Régler la soupape de marche à vide selon la bonne pression. Installer la trousse de réparation au besoin.
	Garnissage usagé dans la pompe	Installer une nouvelle trousse de garnissage. Communiquer avec l'assistance à la clientèle du concessionnaire.
	Soupapes d'admission d'eau ou de refoulement sales dans la pompe	Nettoyer les soupapes d'admission d'eau ou de refoulement.
	La machine a été remise à des conditions de gel.	Dégeler complètement la machine, y compris le tuyau, le pistolet pulvérisateur et la lance.
	Soupapes d'admission d'eau ou de refoulement usées	Remplacer par la trousse de soupapes.
	Obstruction dans la buse de pulvé- risation	Éliminer l'obstruction.
	Fuite du limiteur de pression	Reconstruire ou remplacer, le cas échéant.
	Faible régime moteur	Régler la vitesse du moteur conformément aux spécifications appropriées.
	La pompe aspire de l'air.	Vérifier l'approvisionnement en eau et la possibilité d'infiltration d'air.
	Soupapes collantes	Vérifier et nettoyer ou remplacer, le cas échéant.
	Assise de la soupape de marche à vide défail- lante	Vérifier et remplacer, le cas échéant.
PRESSIION INSTABLE	Soupapes de la pompe usées ou sales	Communiquer avec le distributeur local.
	La buse est obstruée.	Éliminer les débris en soufflant ou à l'aide d'une aiguille fine.
	La pompe aspire de l'air, le tuyau d'entrée d'eau fuit.	Vérifier que tous les tuyaux et raccords sont étanches à l'air. Arrêter la machine, puis appuyer sur la gâchette du pistolet pulvérisateur jusqu'à ce qu'un flux d'eau constant s'échappe de la buse.
	Approvisionnement en eau insuffisant	Ouvrir l'eau à fond. Vérifier toute présence de plis, de fuites ou d'obstruction au niveau du boyau d'arrosage.

DÉPANNAGE

Pour les modèles : HHD 5/30 G, HHD 6/30 G, HHD 8/35 G, HHD 3.4/30 D

PROBLEMA	CAUSA POSIBLE	SOLUCIÓN
PRESSON FAIBLE APRÈS UNE PÉRIODE D'UTILISATION NORMALE	Buse usée	Remplacer la buse.
	Soupape de marche à vide usée	Remplacer la soupape de marche à vide.
LE MOTEUR NE DÉMARRE PAS OU S'ARRÊTE PENDANT SON FONCTIONNEMENT.	Arrêt de faible pression d'huile	Ajouter de l'huile moteur.
	Manque de carburant	Remplir le réservoir de carburant.
	Eau dans le carburant	Vider le réservoir de carburant; remplir avec du carburant propre.
LE MOTEUR EST SURCHARGÉ	Buse partiellement bloquée	Nettoyer la buse.
	Pression excessive provenant du régime moteur élevé	Régler la commande des gaz pour ralentir le régime moteur.
PRÉSENCE D'EAU DANS L'HUILE DE LA POMPE	Eau pulvérisée sur la machine	Changer l'huile. Orienter le jet à l'écart de la machine.
	Haute humidité dans l'air	Vérifier et changer l'huile deux fois plus souvent.
	Garniture du piston usée. Joint d'huile usé.	Communiquer avec le distributeur local.
LE MOTEUR FONCTIONNE PENDANT 15 MINUTES, PUIS S'ARRÊTE.	Pas suffisamment de carburant ou d'huile moteur	Remplir le réservoir de carburant. Vérifier le niveau d'huile.
	Grippage par vapeur développé par la chaleur de la journée	Maintenir le réservoir de carburant plein pour éviter le grippage par vapeur.
	Obstruction dans le filtre à carburant	Nettoyer ou remplacer le filtre à carburant.
LE MOTEUR MANQUE DE PUISSANCE	Filtre à air sale	Remplacer le filtre à air.
LE MOTEUR HÉSITE	L'étrangleur est ouvert trop tôt.	Déplacer l'étrangleur en position intermédiaire jusqu'à ce que le moteur tourne correctement.
DE L'EAU S'ÉGOUTTE SOUS LA POMPE.	Garniture du piston usée	Communiquer avec le distributeur local.
	Joint torique de retenue du plongeur usé	Communiquer avec le distributeur local.
	Piston fissuré	Communiquer avec le distributeur local.
DE L'HUILE S'ÉGOUTTE SOUS LA POMPE.	Joint d'huile usé ou endommagé	Communiquer avec le distributeur local.
FUITE D'EAU PROVENANT DU PROTECTEUR DE LA POMPE	Pistolet pulvérisateur fermé avec machine en fonctionnement pendant cinq minutes ou plus	Ouvrir le pistolet pulvérisateur ou éteindre la machine.
ABSENCE DE DÉTERGENT	Le tube d'aspiration du détergent n'est pas connecté correctement à la machine.	Vérifier la connexion.
	Le détergent est trop épais.	Diluer le détergent. Pour de meilleurs résultats, utiliser le détergent du fabricant.

DÉPANNAGE

Pour les modèles : HHD 5/30 G, HHD 6/30 G, HHD 8/35 G, HHD 3.4/30 D

PROBLÈME	CAUSE POSSIBLE	SOLUTION
ABSENCE DE DÉTERGENT	La soupape du filtre du détergent est au réglage le plus bas.	Définir la soupape du filtre du détergent à un réglage plus élevé.
	Le filtre du tube d'aspiration du détergent est bouché.	Passer le filtre sous l'eau chaude pour éliminer les débris.
	Tube d'aspiration du détergent endommagé ou bouché	Éliminer l'obstruction ou remplacer le tube d'aspiration du détergent.
	Une buse haute pression est fixée.	Remplacer par la buse noire pour détergent.
	La buse de décharge est obstruée.	Éliminer les débris en soufflant ou à l'aide d'une aiguille fine.
LE RACCORD DU BOYAU D'ARROSAGE FUIT	Raccords desserrés	Serrer les raccords.
	Rondelle en caoutchouc manquante ou usée	Insérer une nouvelle rondelle.
LA LANCE DU PISTOLET FUIT	La lance de pulvérisation n'est pas fixée correctement.	Faire glisser la lance de pulvérisation dans le pistolet. Tourner le collier de la lance dans le sens des aiguilles d'une montre sur le filetage du pistolet pulvérisateur jusqu'à ce qu'il soit serré.
	Joint torique cassé	Communiquer avec le distributeur local et commander un joint torique.
LA POMPE FAIT DU BRUIT	La pompe aspire de l'air	Vérifier que les tuyaux et raccords sont étanches à l'air. Arrêter la machine, puis purger la pompe en appuyant sur la gâchette du pistolet pulvérisateur jusqu'à ce qu'un flux d'eau constant s'échappe de la buse.

REGISTRE DES VIDANGES D'HUILE

Vérifier le niveau d'huile de la pompe et le niveau d'huile moteur avant la première utilisation de la laveuse à pression.

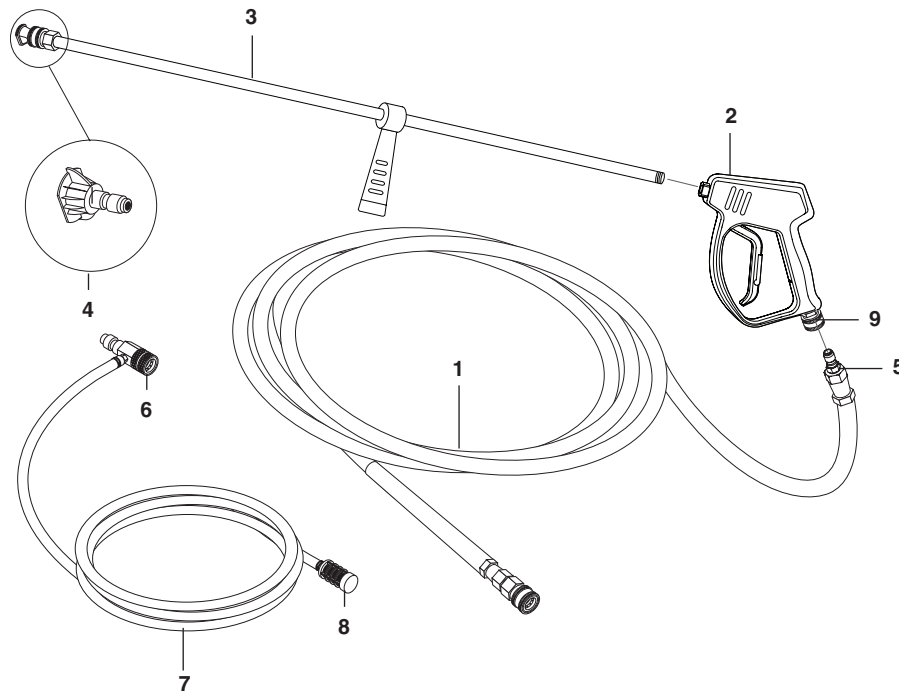
Huile de la pompe : Vérifier le niveau d'huile tous les jours avant la première utilisation de la laveuse à pression. Changer l'huile de la pompe après les 50 premières heures, puis toutes les 500 heures. Utiliser de l'huile SAE 10W-40 non moussante.

Huile moteur : Vérifier tous les jours avant la première utilisation de la laveuse à pression. Changer l'huile moteur après les 20 premières heures, puis toutes les 100 heures. Utiliser de l'huile SAE 10W-30.

Date Vidange huile de la pompe Mois/ Jour/Année	Heures de fonctionnement estimées depuis la dernière vidange d'huile	Date Vidange huile de la pompe Mois/ Jour/Année	Heures de fonctionnement estimées depuis la dernière vidange d'huile

REMARQUE : Lire le manuel du moteur pour les questions sur les réparations et l'entretien.

PIÈCES D'ASSEMBLAGE



Liste des accessoires et des pièces d'assemblage

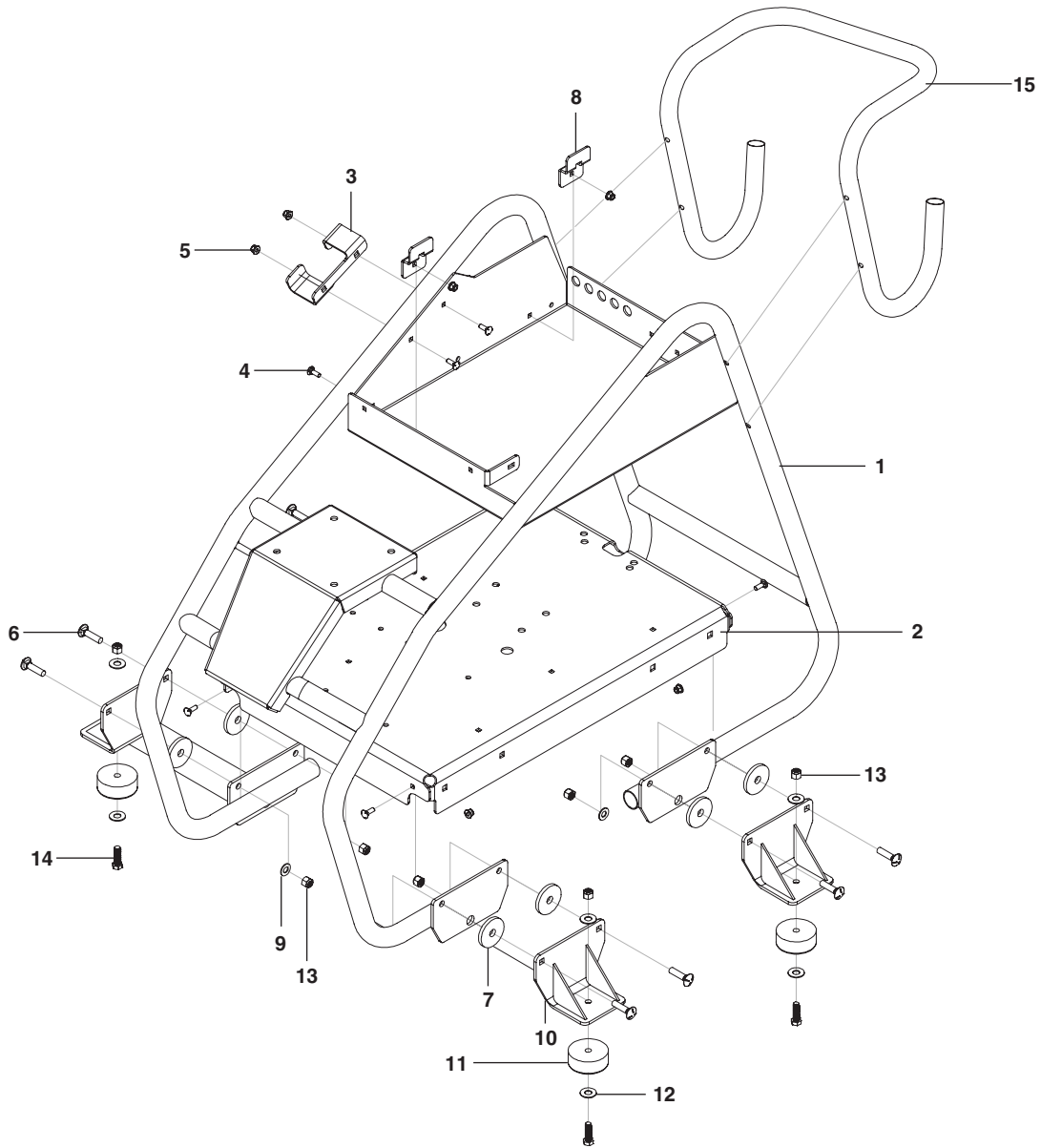
ARTI CLE	RÉF.	DESCRIPTION	QTÉ
1	8.925-132.0	Hose, 3/8" X 50' 2W 6000PSI SW/SO/CPL (HHD 5/30 G, HHD 6/30 G)	1
	8.925-134.0	Hose, 1/2" X 50' 2W 5000PSI SW/SO/CPL (HHD 8/35 G)	1
	8.925-130.0	Hose, 3/8" X 50' 1W 4000PSI SW/SO/CPL (HHD 3.4/30 D)	1
2	8.750-247.0	Gun, M407 (HHD 5/30 G, HHD 6/30 G)	1
	8.710-384.0	Gun, ST-1500, 5000 PSI, 10.4 GPM (HHD 5/30 G, HHD 6/30 G)	1
3	8.783-040.0	Wand 44" Zinc Plated, Handle & Coupler (all models)	1
4	Quick Connect Nozzle Kit (6.0) (HHD 5/30 G)		
	8.712-362.0	▲ Nozzle, SAQCMEG 1506, Yellow	1
	8.712-363.0	▲ Nozzle, SAQCMEG 2506, Green	1
	8.712-364.0	▲ Nozzle, SAQCMEG 4006, White	1
	8.712-398.0	▲ Nozzle kpl., QCEM-6540 Mess. (CHEM)	1
	Quick Connect Nozzle Kit (7.0) (HHD 6/30 G)		
	8.712-370.0	▲ Nozzle, SAQCMEG 1507, Yellow	1
	8.712-371.0	▲ Nozzle, SAQCMEG 2507, Green	1
	8.712-372.0	▲ Nozzle, SAQCMEG 4007, White	1
	8.712-398.0	▲ Nozzle kpl., QCEM-6540 Mess. (CHEM)	1
	Quick Connect Nozzle Kit (9.0) (HHD 8/35 G)		
	8.708-463.0	▲ 1/4' QC WASHJET #9 x 15	1
	8.708-464.0	▲ 1/4' QC WASHJET #9 x 25	1
	8.708-465.0	▲ 1/4' QC WASHJET #9 x 40	1
	8.712-398.0	▲ Nozzle COMPL, QCEM-6540 Brass (Chem)	1
	Quick Connect Nozzle Kit (4.0) (HHD 3.4/30 D)		
	8.712-346.0	▲ Nozzle, SAQCMEG 1504, YELLOW	1
	8.712-347.0	▲ Nozzle, SAQCMEG 2504, GREEN	1
	8.712-348.0	▲ Nozzle, SAQCMEG 4004, WHITE	1
	8.712-398.0	▲ Nozzle, COMPL, QCEM-6540 BRASS (Chem)	1

LISTE DES ACCESSOIRES ET DES PIÈCES D'ASSEMBLAGE

ARTI CLE	RÉF.	DESCRIPTION	QTÉ
5	9.802-170.0	Coupler, 3/8"plug, female, steel/zinc (tous les modèles)	1
6	9.802-216.0	Injector, Chem, 0.083 (HHD 5/30 G, HHD 3.4/30 D)	1
	8.757-724.0	Injector Chem Non Adj 2.3 5-9GPM (HHD 6/30 G, HHD 8/35 G)	1
7	6.388-216.0	Hose DN 5 (HHD 5/30 G, HHD 3.4/30 D)	1M
8	5.731-652.0	Filter with weight (HHD 5/30 G, HHD 3.4/30 D)	1
9	9.802-169.0	Coupler, 3/8" Socket, Male, Brass (tous les modèles)	1

▲ Non visible

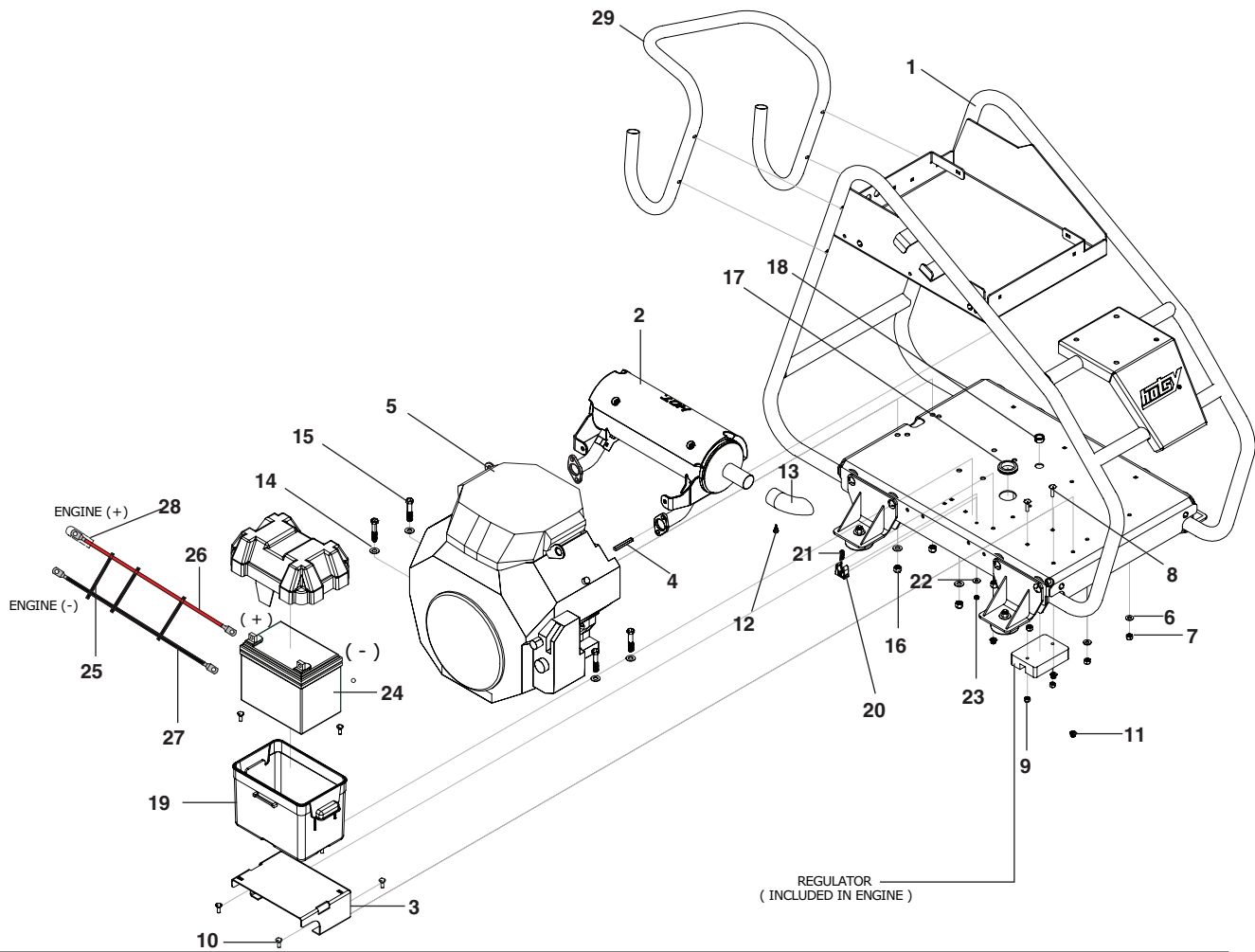
PIÈCES D'ASSEMBLAGE HF SKID



LISTE DES PIÈCES D'ASSEMBLAGE HF SKID

ARTI CLE	RÉF.	DESCRIPTION	QTÉ
1	8.928-612.0	Cage High Flow	1
2	8.928-607.0	Base High Flow	1
3	8.928-692.0	Wand Holder HF	1
4	8.757-432.0	Bolt, 1/4-20 X 3/4, Carriage ST CL5 ZNPLT	8
5	9.197-010.0	1/4-20" Nylon Insert Lock Nut With Flange	8
6	8.757-629.0	Bolt 3/8-16 X 1.5" Carriage Zinc Plt Cl5	8
7	9.802-067.0	Bumper Pad, Engine	8
8	8.928-605.0	Support Strap Gas Tank	2
9	9.198-004.0	3/8 USS F/W Zinc	8
10	8.928-954.0	Skid Feet Welded	4
11	9.802-066.0	Pad Soft Rubber	4
12	9.802-817.0	Washer, 3/8" X 1"	8
13	9.197-003.0	3/8-16 Ne Nylon Insert L/N ZC 5UM White	12
14	9.802-722.0	Bolt, 3/8 X 1-1/4", NC HH	4
15	Handle	See exploded view	

PIÈCES D'ASSEMBLAGE - CÔTÉ DROIT



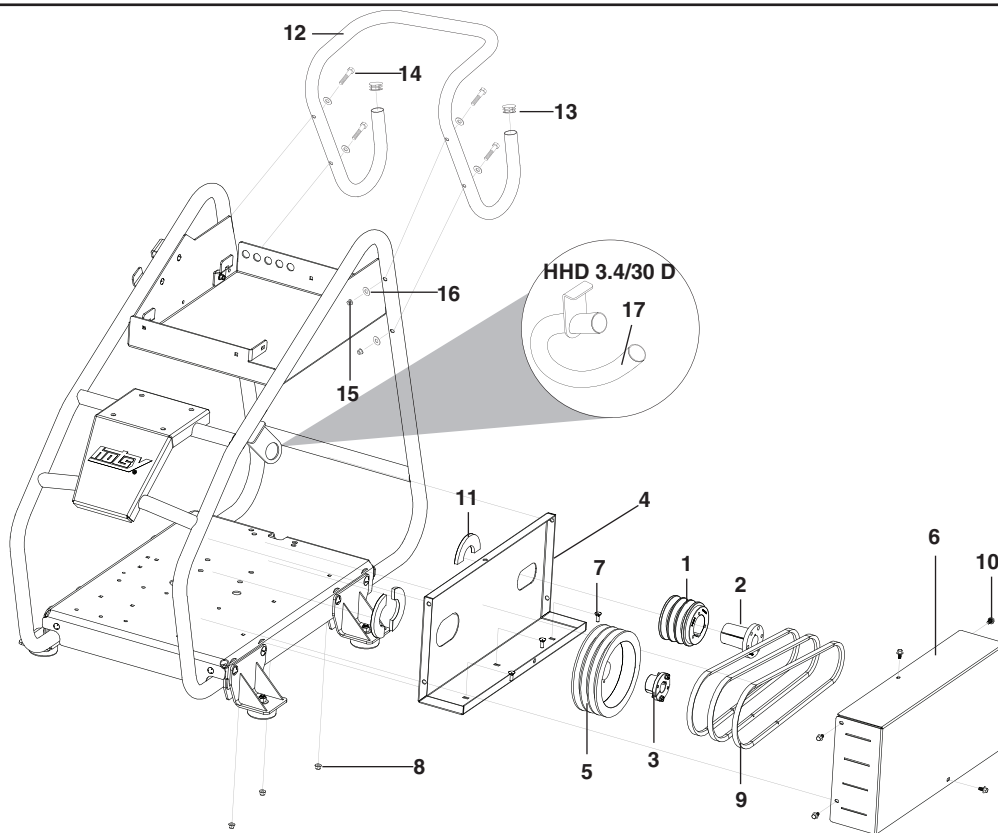
LISTE DES PIÈCES D'ASSEMBLAGE - CÔTÉ DROIT

ARTI CLE	RÉF.	DESCRIPTION	QTÉ
1	8.928-626.0	Frame Assembly HF Skid	1
2	8.750-498.0	Muffler, Honda, GX630/GX660, Left (sauf modèle HD 3.4/30D)	1
3	8.928-620.0	Battery Bracket	1
4	9.802-959.0	Key, 0.247 SQR X 2.125" (HHD 8/35 G)	1
5	8.757-350.0	Engine Honda GX690RHTXF5 662650 (HHD 8/35 G)	1
	8.752-149.0	Engine Honda GX630RHQXF No Throttle (HHD 5/30 G)	1
	8.757-268.0	Engine, Kohler KD440-9008 (HD 3.4/30D)	1
6	8.718-980.0	Washer, 5/16" Flat, SAE (780452)	16
7	9.802-776.0	Nut, 5/16-18, ESNA	8
8	8.757-433.0	Bolt, 1/4-20 X 1", Carriage ST CL5 ZNPLT	2
9	9.802-773.0	Nut, 1/4-20 ESNA NC	2
10	8.757-432.0	Bolt, 1/4-20 X 3/4, Carriage ST CL5 ZNPLT	13
11	9.197-010.0	1/4-20" Nylon Insert Lock Nut With Flange	13
12	8.718-941.0	Screw, 10-16 X 5/8 TEK	1
13	8.915-387.0	Deflector, Exhaust, 1.375" D Pipe, 45DEG (sauf modèle HD 3.4/30D)	1
14	9.198-004.0	3/8 USS F/W Zinc	11
15	9.802-728.0	Bolt, 3/8-16 x 2", HH Zinc	4
16	9.197-003.0	3/8-16 Ne Nylon Insert L/N ZC 5UM White	4
17	8.750-647.0	Grommet Rubber 1 1/2"	1
18	8.706-731.0	Bushing, 3/4" Snap Heyco P/N 2096	1

LISTE DES PIÈCES D'ASSEMBLAGE - CÔTÉ DROIT

ARTI CLE	RÉF.	DESCRIPTION	QTÉ
19	8.706-652.0	Battery box, small	1
20	9.802-203.0	Clamp, 1/2" RO-CLIP, KLEINHUIS P/N 796/1	1
21	9.802-771.0	Screw, 10/32" X 3/4", BH SOC CS	1
22	9.802-802.0	Washer, 1/4" Flat SAE Zinc	1
23	9.804-567.0	*Nut, 10/32", ESNA	1
24	8.754-990.0	Battery, 12V, 35Ah, Small	1
25	9.802-510.0	Cable, TIE, 4" Black	6
26	8.757-737.0	Cable Battery 27" Red 4 Ga	1
27	8.757-738.0	Cable Battery 30" Black 4 Ga	1
28	9.804-615.0	Cover, Battery Terminal, Red	1
29	Handle	See exploded view	

PIÈCES D'ASSEMBLAGE - CÔTÉ GAUCHE



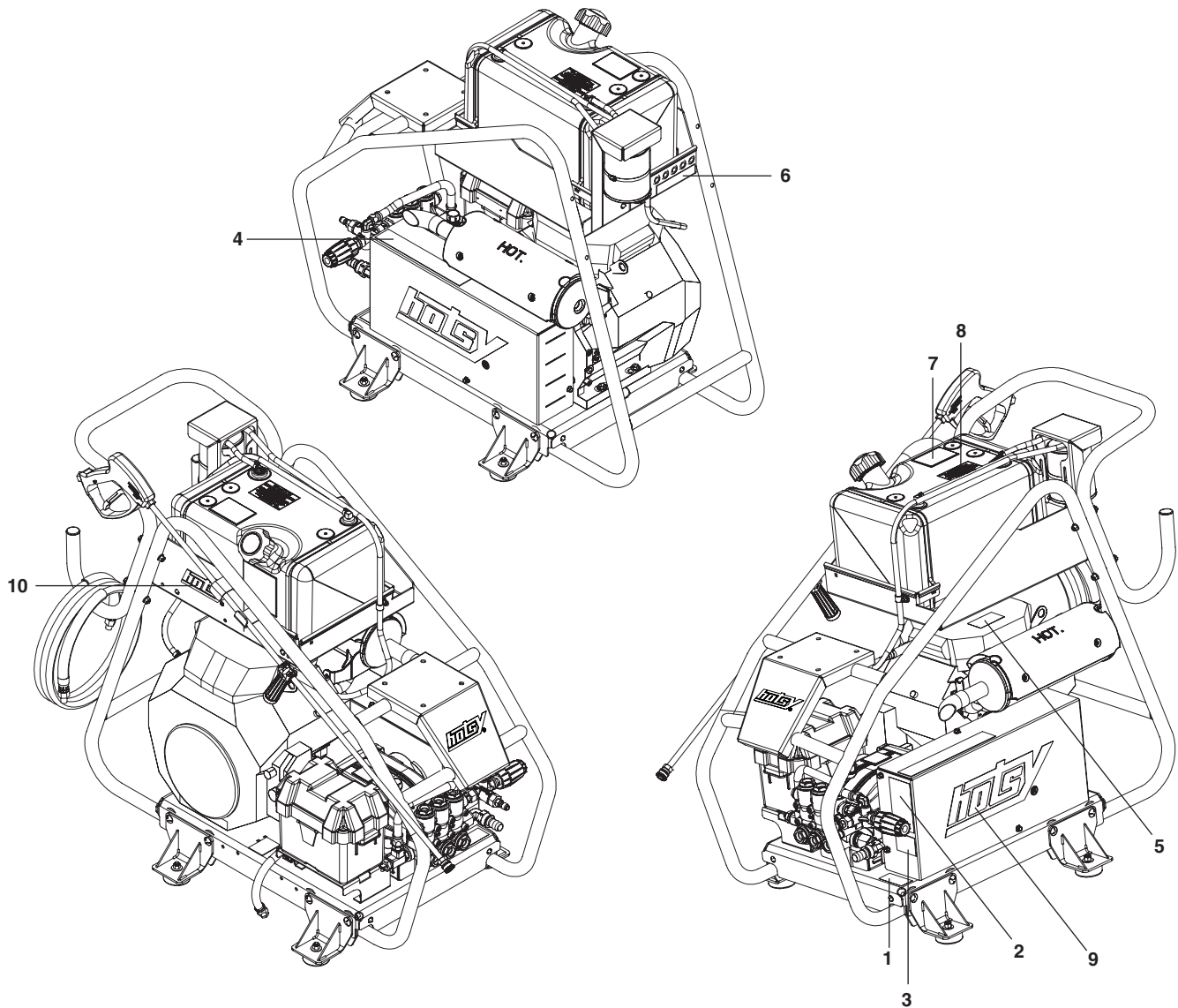
PIÈCES D'ASSEMBLAGE - CÔTÉ GAUCHE

ARTI CLE	RÉF.	DESCRIPTION	QTÉ
1	9.802-393.0	Pulley, 3TB36 (HHD 8/35 G)	1
	8.715-576.0	Pulley, 2BK 32 H (HHD 5/30 G et HHD 6/30 G)	1
	9.802-383.0	Pulley, 2BK 36 H (HHD 3.4/30 D)	1
2	9.802-405.0	Bushing, P2 X 1-1/8 (HHD 8/35 G)	1
	9.802-399.0	Bushing, H X 1 (HHD 5/30 G, HHD 6/30 G et HD 3.4/30D)	1
3	9.802-403.0	Bushing, H X 25MM (HHD 5/30 G, HHD 6/30 G et HHD 8/35 G)	1
4	8.929-108.0	Guard Rivnut	1
	8.929-110.0	Guard Rivnut Diesel	1
5	8.715-618.0	Pulley, 3BK 80 H (HHD 8/35 G)	1
	8.715-592.0	Pulley, 2BK 80H (HHD 5/30 G et HHD 6/30 G)	1
	8.715-591.0	Pulley, 2BK 70 H (HHD 3.4/30 D)	1
6	8.928-633.0	Front Guard HF	1
7	8.757-432.0	Bolt, 1/4-20 X 3/4, Carriage ST CL5 ZNPLT	13
	8.9197-010.0	1/4-20" Nylon Insert Lock Nut With Flange	13
9	9.802-420.0	Belt, BX 43 (HHD 8/35 G)	3
	9.802-420.0	Belt, BX 43 (HHD 5/30 G and HHD 6/30 G)	2
	8.715-702.0	Belt, BX 41 (HHD 3.4/30 D)	2
10	9.802-754.0	Screw, 1/4" X 1/2" NC, Whiz Loc Flange	6
11	8.932-993.0	Cushion, Pump (Thin)	3
	8.932-993.0	Cushion, Pump (Thin) (HHD 3.4/30 D)	4
12	8.928-606.0	Handle High Flow	1
13	8.754-441.0	Plastic Cap_1.25"Diam_Tube	2
14	8.718-636.0	Bolt, 5/16' X 3', NC HH, Zinc	4
15	9.802-776.0	Nut, 5/16-18, ESNA	4
16	8.718-980.0	Washer, 5/16" Flat, SAE (780452)	8
17	8.929-240.0	Assembly Flame Guard and Pipe (HHD 3.4/30 D)	1

RÉSERVOIR DE CARBURANT LISTE DES PIÈCES D'ASSEMBLAGE

ARTI CLE	RÉF.	DESCRIPTION	QTÉ
1	8.752-915.0	Tank, 7.25 GAL, LOW-PERM	1
2	9.802-071.0	Trim, 750 B2 X 1/16. Black, /FT	3/4 (4 PCS)
3	Pump Assy	See Exploded page	
4	8.755-187.0	Grommet, Rubber	5
5	9.802-053.0	Bushing, Fuel Line, Rubber	1
6	9.803-531.0	Diptube Assy, Plastic, 10.00" Long	1
7	8.751-215.0	Grommet, Remote Vent, Kelch	1
8	9.802-254.0	Hose, 1/4" Push-On, /FT (sauf modèle HHD 3.4/30 D)	5 1/2"
9	8.617-709.0	Clamp, Cable 1/2I.D. 1/4BLT	2
10	9.802-254.0	Hose, 1/4" Push-On, /F	34 1/2 "
	9.802-254.0	Hose, 1/4" Push-On, /FT (modèle HHD 3.4/30 D)	36"
11	9.802-254.0	Hose, 1/4" Push-On, /F	28 1/4 "
	9.802-254.0	Hose, 1/4" Push-On, /FT (modèle HHD 3.4/30 D)	41"
12	8.751-380.0	Carbon Canister, 850cc (sauf modèle HHD 3.4/30 D)	1
13	9.802-816.0	Washer, 7/16", Split Ring Lock, 780481	4
14	9.802-744.0	Bolt, 10mm x 20mm, HH Zinc	4
15	9.802-710.0	Screw 5/16" x 1" NC	4
16	8.718-980.0	Washer, 5/16" Flat, SAE (780452)	16
17	9.802-776.0	Nut, 5/16-18, ESNA	8
18	8.757-432.0	Bolt, 1/4-20 x 3/4, Carriage ST CL5 ZNPLT	13
	8.757-432.0	Bolt, 1/4-20 X 3/4, Carriage ST CL5 ZNPLT (modèle HHD 3.4/30 D)	11
19	9.197-010.0	1/4-20" Nylon Insert Lock Nut With Flange	13
	9.197-010.0	1/4-20" Nylon Insert Lock Nut With Flange (modèle HHD 3.4/30 D)	14
20	8.751-057.0	Cap Ratcheting, Fuel with gauge & tether	1
	9.802-089.0	Cap, Fuel, Plastic H60-AV1 (modelo HHD 3.4/30 D)	1
21	8.711-785.0	Hose, 3/8" Push-On, PER FT	10 1/4 "
22	9.802-141.0	Hose Barb, 1/4" Barb X 3/8" Barb, DOU	1
23	8.752-918.0	Clamp, Hose, #64 4.5-2.5 x 9/16 SS (sauf modèle HHD 3.4/30 D)	1
24	9.802-071.0	Trim, 750 B2 X 1/16. Black, /FT	4" (1PCS)
25	9.802-071.0	Trim, 750 B2 X 1/16. Black, /FT	2 5/8" (3PCS)
26	9.802-071.0	Trim, 750 B2 X 1/16. Black, /FT	11 5/16"
27	8.928-772.0	Canister Support (sauf modèle HHD 3.4/30 D)	1
28	8.751-059.0	Vent, Remote Assembly, Carb	1
29	8.753-066.0	Clamp, 1 Ear, 12.6mm - 14.5mm (#7)	6
	8.753-066.0	Clamp, 1 Ear, 12.6mm - 14.5mm (#7) (model HHD 3.4/30 D)	4
30	8.753-065.0	Clamp, 1 Ear, 15.7mm- 18.5mm (#10)	1
31	8.928-695.0	Slider Base Lower Hf	1
32	8.928-696.0	Pump Base High Flow	1
33	8.719-047.0	Washer, Nylon, .390 ID X 1 OD X .25 THK	2
34	8.725-549.0	Bolt, 3/8" X 7-1/2" HH	2
35	8.718-682.0	Bolt, 3/8-16 X 3-1/2, TAP, SS	1
36	9.802-071.0	Trim, 750 B2 X 1/16. Black, /FT	8 1/2" (4PCS)
37	9.802-512.0	Cable, Tie, 48"	2
38	9.198-004.0	3/8 USS F/W Zinc	8
39	Handle	See exploded view	

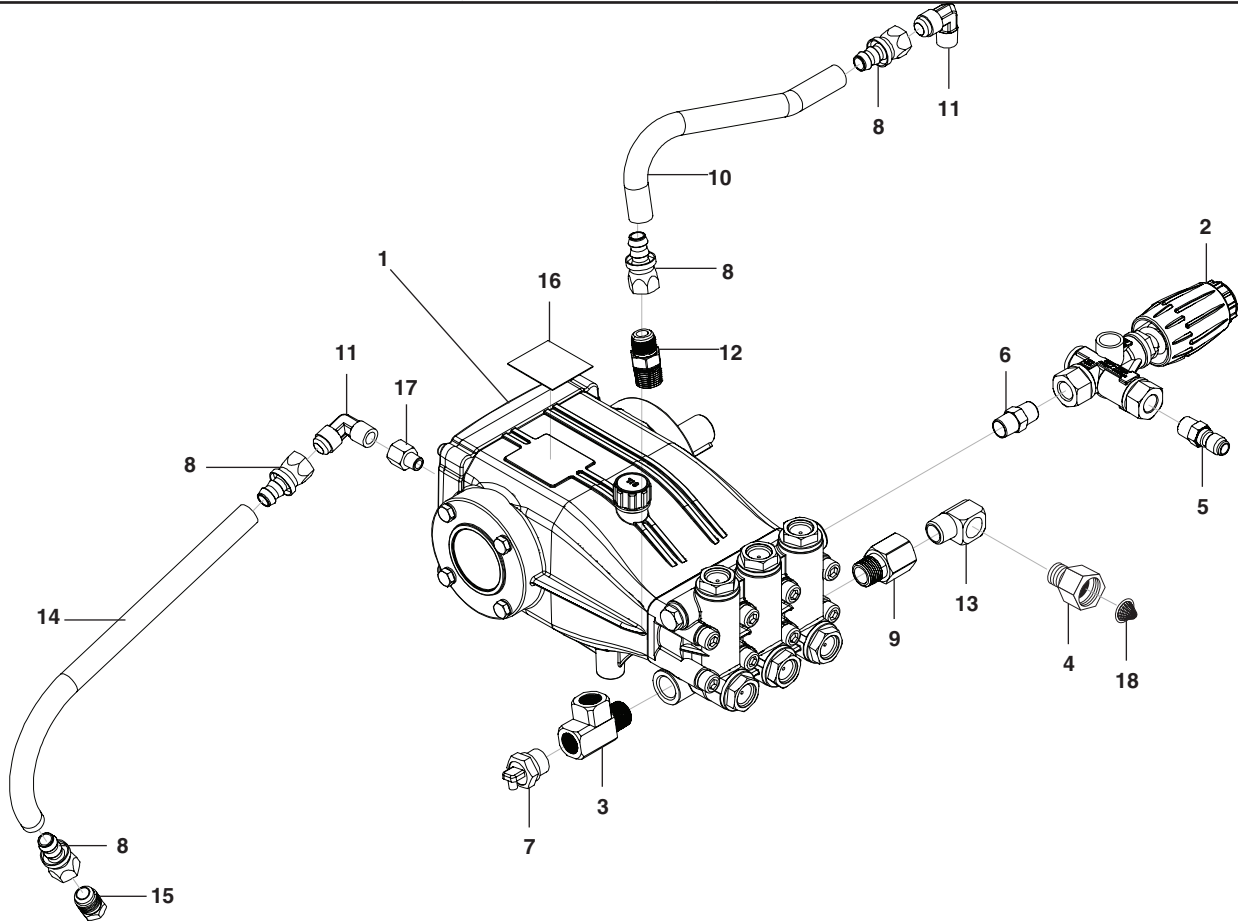
ÉTIQUETTES GÉNÉRIQUES HF SKID



LISTE DES PIÈCES D'ÉTIQUETTES GÉNÉRIQUES HF SKID

ARTI CLE	RÉF.	DESCRIPTION	QTÉ
1	9.800-049.0	Label, Manufacturer's Cleaning Solution	1
2	9.803-842.0	Label, Instructions, BR	1
3	8.783-038.0	Label, Universal DB Rating, Ear Protection	1
4	8.750-809.0	Label Operation Warn Trilingual Small	1
5	9.800-006.0	Label, Hot/Caliente W/Arrows	1
6	8.932-967.0	Label, Nozzle, 0, 15, 25, 40, & Soap (HHD 5/30 G, HHD 6/30 G and HHD 3.4/30D)	1
	8.757-476.0	Nozzle Label Black (HHD 8/35 G)	1
7	8.921-479.0	Label, Carb Compliance	1
8	9.800-001.0	Label, This Tank For Gas Only (HHD 5/30 G, HHD 6/30 G and HHD 8/35 G)	1
	8.932-960.0	Label, Diesel, Black On Yellow (HHD 3.4/30 G)	1
9	8.758-045.0	Label Logo Red Hotsy	1
10	8.757-836.0	Label Hotsy Red 6" X 2"	2

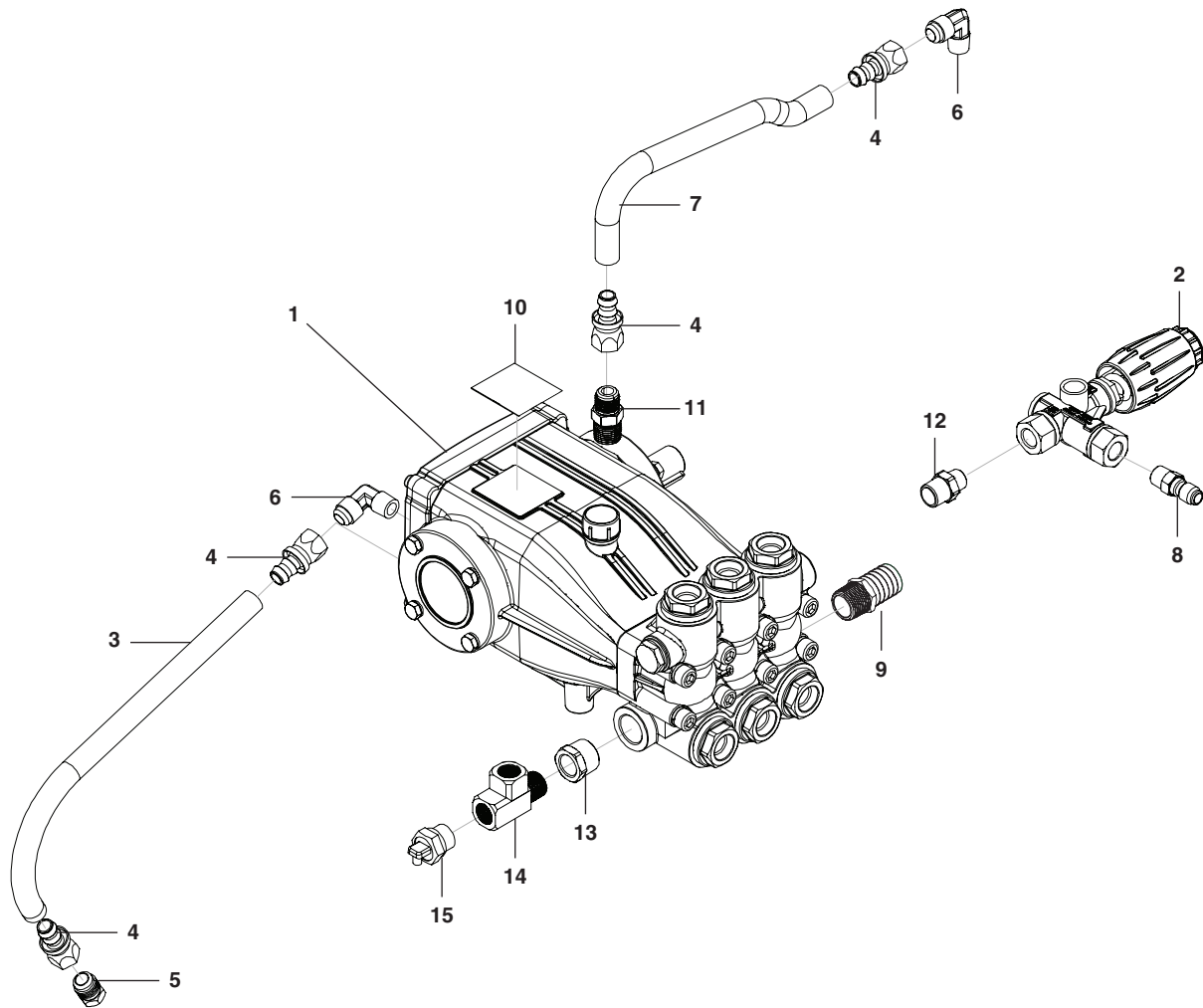
ASSEMBLAGE DE LA POMPE POUR MODÈLES: HHD 5/30 G, HHD 6/30 G, HHD 3.4/30 D



LISTE DES PIÈCES D'ASSEMBLAGE DE LA POMPE

ARTI CLE	RÉF.	DESCRIPTION	QTÉ
1	8.753-535.0	Pump, Leuco LT6036R, 6.0@3600, 1450 RPM (modèles HD 5/30G, HD 6/30G)	1
	8.750-755.0	Pump, LM3540R.3, 3.5@ 4000 1850RPM (modèle HD 3.4/30D)	1
2	8.750-299.0	Unloader, VRT3, 8 GPM 1 @4500 PSI	1
3	8.757-257.0	Tee, Street 1/2"	1
4	8.757-203.0	Swivel, 1/2" M-NPTF x 3/4" GHF	1
5	8.757-341.0	Coupler steel zinc 3/8" plug male w/slnt	1
6	8.757-653.0	Nipple steel hex 3/8" NPTF x 3/8" BSPP	1
7	8.757-549.0	Pump protector 1/2 140°	1
8	9.802-151.0	Swivel, 1/2" BARB x 1/2" JIC, FEM/Brass	4
9	8.757-193.0	Adapter, 1/2" F-NPTF x 1/2" M-NPTF, Brass	1
10	9.802-259.0	Hose, 1/2" Push-On, /FT	9.5"
11	8.757-262.0	Elbow brass 1/2 SAE (M) x 3/8 NPTF (M)	2
12	8.757-200.0	Adapter brass 1/2 SAE (M) x 1/2 NPTF (M)	1
13	8.757-342.0	Elbow, 1/2" Street, Bbrass	1
14	9.802-259.0	Hose, 1/2" Push-On, /FT	12"
15	9.802-126.0	Plug, 1/2" JIC Flare, 639F-8	1
16	8.757-481.0	Label Pump Hotsy HT6036R. (modèles HHD 5/30G, HHD 6/30G)	1
	8.918-800.0	Label, Hotsy HM3540R.3 Pump (modèle HHD 3.4/30D)	1
17	8.706-993.0	Adapter, 3/8' X 3/8' (modèle HD 3.4/30D)	1
18	9.804-016.0	Filter Screen Washer, Garden Hose/30MESH	1

ASSEMBLAGE DE LA POMPE POUR MODÈLE: HHD 8/35 G



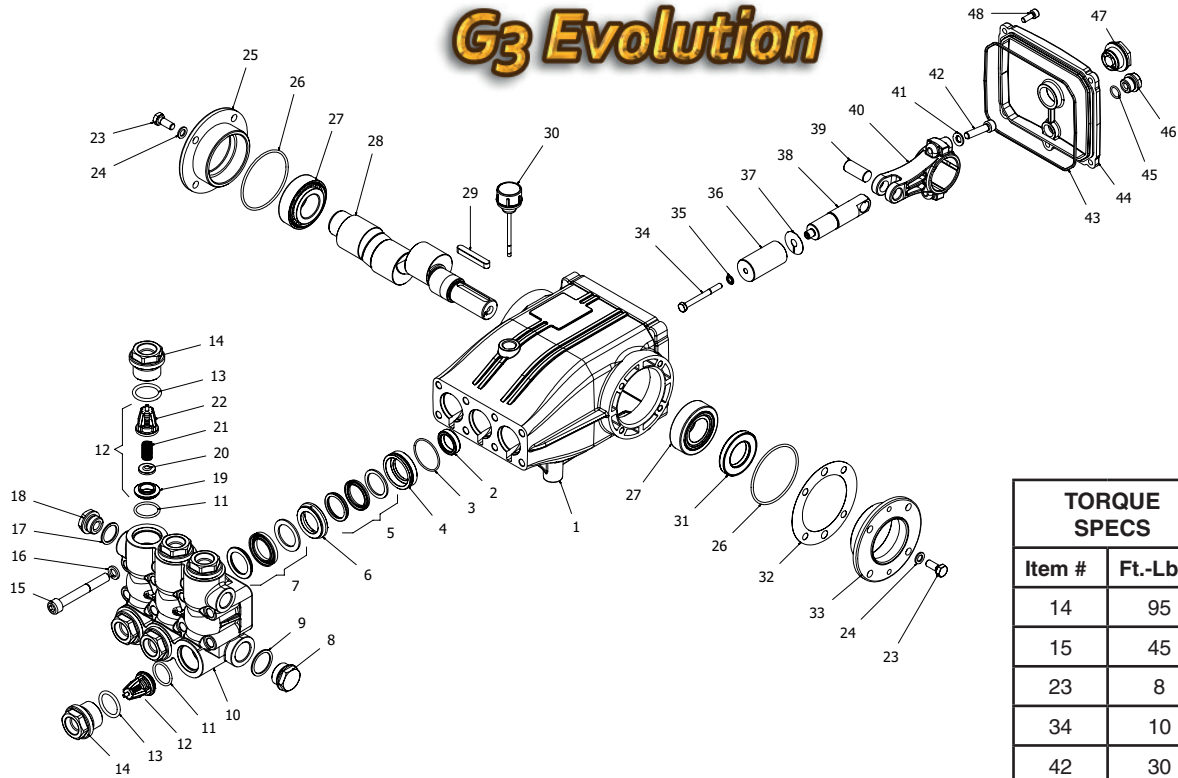
LISTE DES PIÈCES D'ASSEMBLAGE DE LA POMPE

ARTI CLE	RÉF.	DESCRIPTION	QTÉ
1	8.752-809.0	Pump, Leuco 8043R, 8@4350 1740RPM (modèle HD 8/35 G)	1
2	8.750-299.0	Unloader, VRT3, 8 GPM @4500 PSI	1
3	9.802-259.0	Hose, 1/2" Push-On, /FT	12"
4	9.802-151.0	Swivel, 1/2" BARB x 1/2"JIC, Fem/Brass	4
5	9.802-126.0	Plug, 1/2" JIC Flare, 639F-8	1
6	8.757-262.0	Elbow brass 1/2 SAE (M) x 3/8 NPTF (M)	2
7	9.802-259.0	Hose, 1/2" Push-On, /FT	12"
8	8.757-341.0	Coupler steel zinc 3/8" plug male w/slnt	1
9	8.759-210.0	Adapter brass 3/4" NPT x 1" Hose Barb	1
10	8.757-478.0	Label pump Hotsy HX8043R.2 (Models HD 8/35 G)	1
11	8.757-200.0	Adapter brass 1/2 SAE (M) x 1/2 NPTF (M)	1
12	8.757-942.0	Nipple 3/8 X 1/2 Hex Steel	1
13	8.757-486.0	Bushing, 3/4" X 1/2", Brass	1
14	8.757-257.0	Tee, street 1/2"	1
15	8.757-549.0	Pump protector 1/2 140°	1

ASSEMBLAGE DE LA POMPE LT6036R

8.928-630.0 HT6036R.2 Right

G3 Evolution



TORQUE SPECS	
Item #	Ft.-Lbs.
14	95
15	45
23	8
34	10
42	30
48	8

LISTE DES PIÈCES D'ASSEMBLAGE DE LA POMPE LT6036R

ARTI CLE	RÉF.	DESCRIPTION	QTÉ	ARTI CLE	RÉF.	DESCRIPTION	QTÉ
1	8.752-825.0	Crankcase	1	19	See Kit Below	Valve Seat	6
2*	See Kit Below	Plunger Oil Seal	3	20	See Kit Below	Valve Plate	6
3*	See Kit Below	O-Ring Ø1.78 x 37.82	3	21	See Kit Below	Valve Spring	6
4*	See Kit Below	"Pressure Ring, Brass	3	22	See Kit Below	Valve Cage	6
5*	See Kit Below	"U" Seal 18mm	3	23	8.725-830.0	Hexagonal Screw	8
6*	See Kit Below	Intermediate Ring, 18mm	3	24	9.802-884.0	Washer	8
7*	See Kit Below	"U" Seal, 18mm	3	25	9.803-182.0	Closed Bearing Housing	1
8	9.802-926.0	Brass Plug, G1/2	1	26	9.803-186.0	O-Ring Ø2.62 x 71.12	2
9	9.803-199.0	Cooper Washer 1/2	1	27	9.803-160.0	Roller Bearing	2
10	8.753-816.0	Manifould Housing	1	28	8.753-818.0	Crankshaft Ø24 (4540)	1
11*	9.804-498.0	O-Ring Ø2.62 x 25.1	6		8.752-827.0	Crankshaft Ø24 (6036)	1
12*	See Kit Below	Valve Assembly	6	29	9.803-167.0	Cranckshaft Key	1
13*	9.803-193.0	O-Ring 3068	6	30	8.752-834.0	Oil Dipstick	1
14	9.802-928.0	Valve Plug	6	31	9.803-139.0	Crankshaft Seal	1
15	8.753-817.0	Manifould Stud Bolt	8	32	9.803-177.0	Shim	2
16	9.802-890.0	Lock Washer	8	33	9.803-181.0	Bearing Housing	3
17	8.719-008.0	Cooper Washer 3/8	1	34*	8.752-841.0	Plunger Bolt	3
18	8.707-262.0	Brass Plug 3/8	1	35*	8.752-820.0	Bonded Seal	3

LISTE DES PIÈCES D'ASSEMBLAGE DE LA POMPE LT6036R

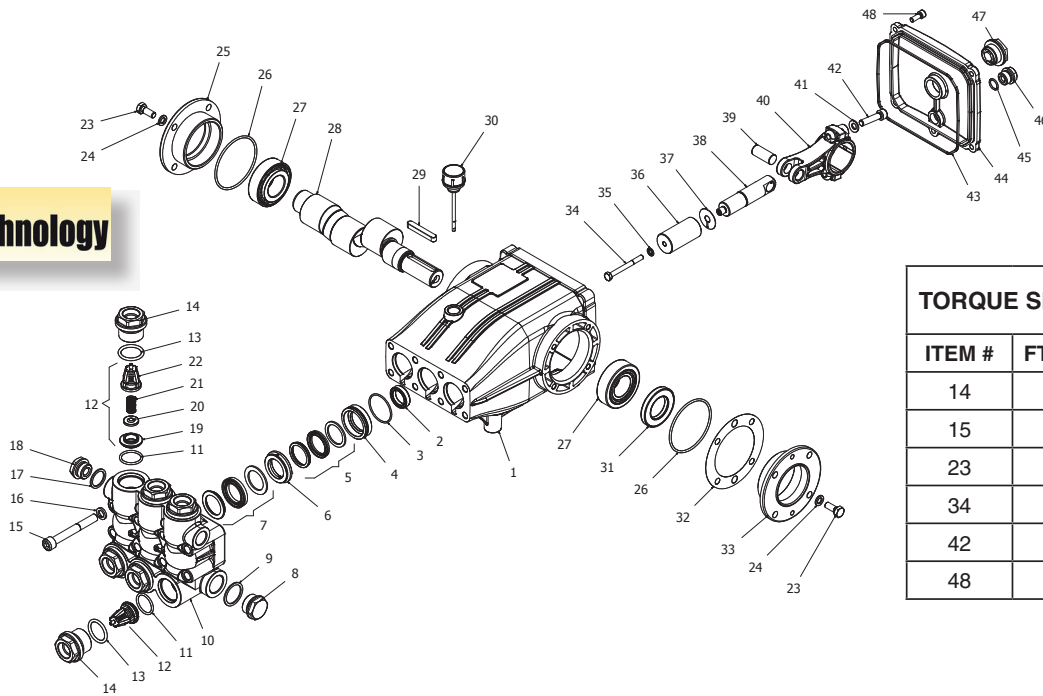
ARTICLE	RÉF.	DESCRIPTION	QTÉ
36*	8.753-819.0	Plunger 18mm	3
37*	8.752-823.0	Copper Spacer	3
38	See Kit Below	Plunger Rod	3
39	8.752-822.0	Connecting Rod Pin	3
40	8.752-821.0	Connecting Rod	3
41	9.802-889.0	Spring Washer	6
42	9.802-937.0	Connecting Rod Screw	6
43	9.803-194.0	O-Ring Ø2.62 x 152.07	1
44	8.752-826.0	Crankcase Cover	1
45	9.803-906.0	O-Ring Ø1.78 x 14.00	1
46	8.707-262.0	Brass Plug G 3/8	1
47	9.803-202.0	Sight Glass G3/4	1
48	8.752-824.0	Cover Screw	5

* Disponible en kit (Voir ci-dessous)

NUMÉRO DE KIT DE RÉPARATION	8.753-821.0	8.753-822.0	8.753-823.0	8.753-824.0	8.752-835.0
DESCRIPTION DU KIT	Plunger Seal 18mm	Seal Packing 18mm	Plunger 18mm	Complete Valve	Plunger Oil Seals
NUMÉROS D'ARTICLE INCLUSE	3,5,7	3,4,5,6,7	34,35,36,37	11,12,13	2
NUMÉRO DE CYLINDRES INCLUSE	3	1	1	6	3

ASSEMBLAGE DE LA POMPE HX8043R

8.928-642.0 HX8043R.2 Right



TORQUE SPECS	
ITEM #	FT. LBS.
14	95
15	45
23	8
34	10
42	30
48	8

LISTE DES PIÈCES D'ASSEMBLAGE DE LA POMPE HX8043R

ARTI CLE	RÉF.	DESCRIPTION	QTÉ
1	8.752-825.0	Crankcase	1
2*	See Kits Below	Plunger Oil seal	3
3*	See Kits Below	O-Ring Ø1.78 x 37.82	3
4*	See Kits Below	Pressure Ring	3
5*	See Kits Below	U-Seal, 25mm	3
6*	See Kits Below	Intermediate Ring	3
7*	See Kits Below	U-Seal	3
8*	9.803-285.0	Brass Plug, G3/4"	1
9	9.803-286.0	Washer, Copper 3/4"	1
10	8.752-831.0	Manifold Housing Ø22/Ø20	1
11	8.752-836.0	O-Ring Ø2.62 x 21.89	6
12*	See Kits Below	Valve Assembly	6
13*	9.803-287.0	O-Ring Ø3.53 x 25.80-134	6
14	8.752-855.0	Valve Plug	6
15	8.752-833.0	Manifold Stud Bolt	8
16	9.802-890.0	Lock Washer	8
17	9.803-199.0	Copper Washer 1/2"	1
18	9.802-926.0	Brass Plug 1/2"	1

ARTI CLE	RÉF.	DESCRIPTION	QTÉ
19	See Kits Below	Valve Seat	6
20	See Kits Below	Valve Plate	6
21	See Kits Below	Valve Spring	6
22	See Kits Below	Valve Cage	6
23	8.752-830.0	Hex Screw	8
24	9.802-884.0	Washer	8
25	9.803-182.0	Closed Bearing Housing	1
26	9.803-186.0	O-Ring Ø2.62 x 71.12	2
27	9.803-160.0	Roller Bearing	2
28	8.752-828.0	Crankshaft Ø25 (5843)	1
28	8.752-829.0	Crankshaft Ø25 (8043, 9536)	1
28	8.752-827.0	Crankshaft Ø25 (1036)	1
29	9.803-293.0	Crankshaft Key	1
30	8.752-834.0	Oil Dop Stick	1
31	9.803-139.0	Crankshaft Seal	1
32	9.803-177.0	Shim	2
33	9.803-181.0	Bearing Housing	1
34*	8.752-841.0	Plunger Bolt	3

LISTE DES PIÈCES D'ASSEMBLAGE DE LA POMPE HX8043R

ARTICLE	RÉF.	DESCRIPTION	QTÉ
35*	8.752-820.0	Bonded Seal	1
36*	8.752-846.0	Plunger, 20mm (5843, 8043)	3
	8.752-847.0	Plunger, 22mm (9539, 1036)	3
37*	8.752-823.0	Copper Spacer	3
38*	8.752-842.0	Plunger Rod	3
39*	8.752-822.0	Connecting Rod Pin	3
40	8.752-821.0	Connecting Rod	3
41*	9.802-889.0	Spring Washer	6
42*	9.802-937.0	Connecting Rod Screw	6
43	9.803-194.0	O-Ring Ø2.62 x 152.07	1
44	8.752-826.0	Crankcase Cover	1
45	9.803-906.0	O-Ring Ø1.78 x 14.00	1
46	8.707-262.0	Brass Plug G3/8"	1
47	9.803-202.0	Sight Glass G3/4"	1
48	8.752-824.0	Cover Screw	5

*Disponible en kit (Voir ci-dessous)

NUMÉRO DE KIT DE RÉPARATION	8.752-843.0	8.725-844.0	8.725-849.0	8.725-850.0	8.752-838.0	8.752-839.0	8.752-853.0	8.752-835.0
DESCRIPTION DU KIT	Plunger Seal 20 mm (5843, 8043)	Plunger Seal 22 mm (9536, 1036)	Seal Packing 22 mm (5843, 8043)	Seal Packing 22 mm (9536, 1036)	Plunger 20 mm (5843, 8043)	Plunger 22 mm (9536, 1036)	Complete Valve	Plunger Oil Seals
NUMÉROS D'ARTICLE INCLUSE	3, 5, 7	3, 5, 7	3, 4, 5, 6, 7	3, 4, 5, 6, 7	34, 35, 36, 37	34, 35, 36, 37	11, 12, 13	2
NUMÉRO DE CYLINDRES INCLUSE	3	3	1	1	1	1	6	6

If you need **SERVICE** on your pressure washer, contact your local Hotsy dealer or visit www.Hotsy.com. Smart phone users scan the code below to link directly to the Service Request page.



To **REGISTER** your pressure washer, please visit our Warranty Registration page at www.hotsy.com/WarrantyRegistration.aspx or scan the code below with your smart phone.

