

558 Series

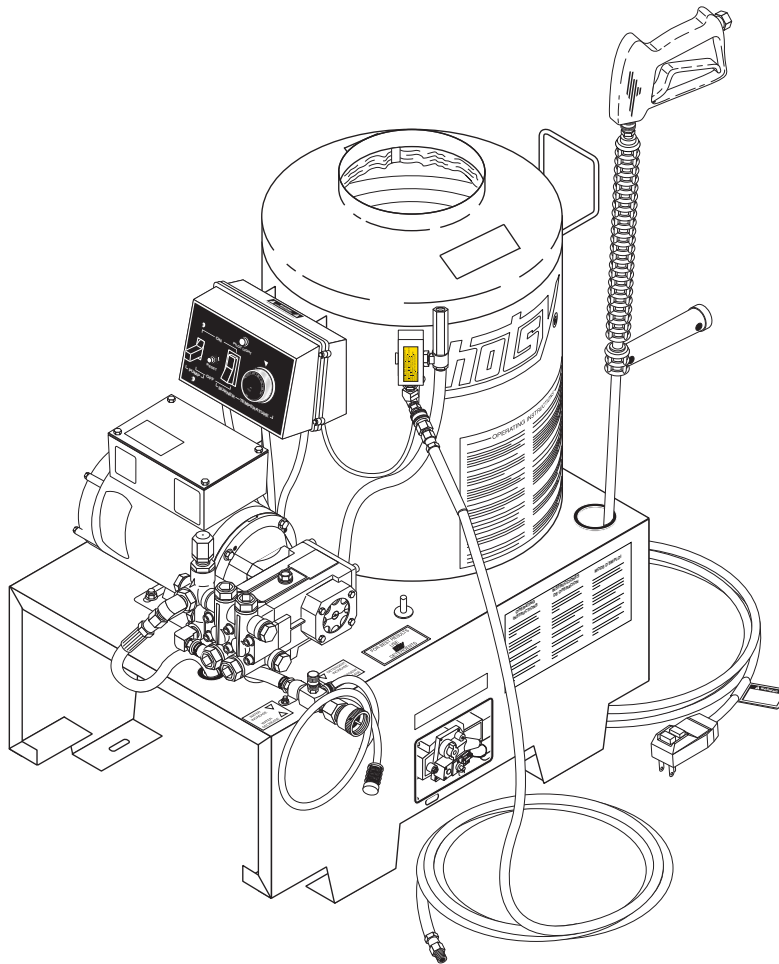
Hot Water - Electric - LP Fired



Operator's Manual

Pressure Washer

MODEL: 558
1.109-610.0



SHOP PRESSURE WASHER PARTS
shoppressurewasherparts.com | (888) 269-0172



8.914-369.0-B 01/15/21

Machine Data Label

Model: _____

Date of Purchase: _____

Serial Number: _____

Dealer: _____

Address: _____

Phone Number: _____

Sales Representative: _____

Machine Data Label2
Table of Contents3
How To Use This Manual4

Safety

Introduction & Safety Information5
IMPORTANT SAFETY INFORMATION5
Propane Tank Safety Instructions:9

Operations

Technical Specifications10
Component Identification11
Assembly Instructions12
Unpacking12
Pressure Hose, Trigger Gun & Wand12
Installation13
Getting Started13
Venting13
Water Supply13
Fuel Supply13
LP Vapor Fuel14
Gas Regulator14
Electrical14
Operation Instructions15
Before Starting15
To Start16
To Clean17
To Stop18
Storage18

Maintenance

Pump19
Pump Motor19
Relief Valve19
Unloader Valve19
Heating Coil19
Troubleshooting20

How To Use This Manual

This manual contains the following sections:

- How to Use This Manual
- Safety
- Operations
- Maintenance

The HOW TO USE THIS MANUAL section will tell you how to find important information for ordering correct repair parts.

Parts may be ordered from authorized dealers. When placing an order for parts, the machine model and machine serial number are important. Refer to the MACHINE DATA box which is filled out during the installation of your machine. The MACHINE DATA box is located on the inside of the front cover of this manual.

Model: _____
Date of Purchase: _____
Serial Number: _____
Dealer: _____
Address: _____
Phone Number: _____
Sales Representative: _____

The model and serial numbers will be found on a decal attached to the pressure washer

The SAFETY section contains important information regarding hazardous or unsafe practices of the machine. Levels of hazards are identified that could result in product damage, personal injury, or severe injury resulting in death.

The OPERATIONS section is to familiarize the operator with the operation and function of the machine.

The MAINTENANCE section contains preventive maintenance to keep the machine and its components in good working condition. They are listed in this general order:

- Pump
- Relief Valve
- Unloader
- Heating Coil
- Troubleshooting

NOTE: The manual part number is located on the lower right corner of the front cover.

Introduction & Safety Information

Thank you for purchasing this Pressure Washer. We reserve the right to make changes at any time without incurring any obligation.

WARNING: If you do not follow these instructions exactly, a fire or explosion may result causing property damage, personal injury or death.

AVERTISSEMENT: Si ces directives ne sont pas suivies à la lettre, un incendie ou une explosion pourrait survenir et entraîner des dommages à la propriété, des lésions corporelles ou la mort.

Do not store or use gasoline or other flammable vapors and liquids in the vicinity of this or any other appliance.

WHAT TO DO IF YOU SMELL GAS

- Do not try to light any appliance.
- Do not touch any electrical switch; do not use any phone in your building.
- Immediately call your gas supplier from a neighbor's phone. Follow the gas supplier's instructions.
- If you cannot reach your gas supplier, call the fire department.

Installation and service must be performed by a qualified installer, service agency or the gas supplier.

Owner/User Responsibility:

The owner and/or user must have an understanding of the manufacturer's operating instructions and warnings before using this pressure washer. Warning information should be emphasized and understood. If the operator is not fluent in English, the manufacturer's instructions and warnings shall be read to and discussed with the operator in the operator's native language by the purchaser/owner, making sure that the operator comprehends its contents.

Owner and/or user must study and maintain for future reference the manufacturers' instructions.

The operator must know how to stop the machine quickly and understand the operation of all controls. Never permit anyone to operate the engine without proper instructions.

Save These Instructions

This manual should be considered a permanent part of the machine and should remain with it if machine is resold.

When ordering parts, please specify model and serial number. Use only identical replacement parts.

This machine is to be used only by trained operators.

IMPORTANT SAFETY INFORMATION



WARNING: To reduce the risk of injury, read operating instructions carefully before using.

AVERTISSEMENT: Pour réduire le risque de blessures, lire attentivement les instructions de fonctionnement avant l'utilisation.

1. Read the owner's manual thoroughly. Failure to follow instructions could cause malfunction of the machine and result in death, serious bodily injury and/or property damage.
2. Know how to stop the machine and bleed pressure quickly. Be thoroughly familiar with the controls.
3. Stay alert — watch what you are doing.
4. Do not replace LP tank while machine is running.
5. All installations must comply with local codes. Contact your electrician, plumber, utility company or the selling distributor for specific details.

Safety

DANGER: Improper connection of the equipment-grounding conductor can result in a risk of electrocution. Check with a qualified electrician or service personnel if you are in doubt as to whether the outlet is properly grounded. Do not modify the plug provided with the product - if it will not fit the outlet, have a proper outlet installed by a qualified electrician. Do not use any type of adapter with this product.

DANGER: Une mauvaise connexion du conducteur de terre de l'équipement peut entraîner un risque d'électrocution. Vérifier auprès d'un électricien qualifié ou du personnel d'entretien si vous avez des doutes quant à savoir si la sortie est correctement mise à la masse. Ne pas modifier la fiche fournie avec le produit - si elle n'entre pas dans la sortie, faire installer une sortie appropriée par un électricien qualifié. Ne jamais utiliser un adaptateur avec ce produit.

WARNING: Must be plugged into properly wired three hole grounded outlet that accommodates plug on power cord. Failure to comply could result in electrical shock.

AVERTISSEMENT: Doit être raccordé dans une sortie à trois trous mise à la masse et correctement câblée qui peut accueillir une fiche sur un cordon d'alimentation. Le non-respect de cette consigne pourrait causer un choc électrique.



WARNING: Keep wand, hose, and water spray away from electric wiring or fatal electric shock may result.

AVERTISSEMENT: Garder la lance, le boyau et le jet d'eau à l'écart de tout câblage électrique ou des chocs électriques mortels pourraient survenir.

- To protect the operator from electrical shock, the machine must be electrically grounded. It is the responsibility of the owner to connect this machine to a UL grounded receptacle of proper voltage and amperage ratings. Do not spray water on or near electrical components. Do not touch machine with wet hands or while standing in water. Always disconnect power before servicing.



WARNING: Flammable liquids can create fumes which can ignite, causing property damage or severe injury.

AVERTISSEMENT: Des liquides inflammables peuvent produire des vapeurs qui peuvent s'enflammer, causant ainsi des dommages à la propriété ou des

blessures graves.

WARNING: Risk of explosion — Operate only where open flame or torch is permitted.

AVERTISSEMENT: Risque d'explosion - Utiliser uniquement dans des endroits où l'utilisation d'une flamme nue ou d'une torche est permise.



WARNING: Risk of fire — Do not change tanks when the product is operating or still hot.

AVERTISSEMENT: Risque d'incendie - Ne pas changer les réservoirs pendant que le produit est en marche ou encore chaud.

WARNING: Use vapor propane fuel only.

AVERTISSEMENT: Utiliser des vapeurs de propane uniquement comme carburant.

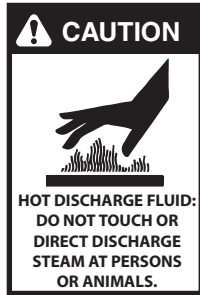
- Gas appliances shall be installed only in locations where combustible dusts and flammable gases or vapors are not present. Do not store or use flammable materials near this machine.
- Keep operating area clear of all persons.



WARNING: High pressure spray can cause paint chips or other particles to become airborne and fly at high speeds. To avoid personal injury, eye, hand and foot safety devices must be worn.

AVERTISSEMENT: Un jet haute pression peut écailler la peinture ou provoquer l'émission d'autres particules dans l'air et leur projection à hautes vitesses. Pour éviter les lésions corporelles, une protection des yeux, du visage, des mains et des pieds doit être portée lors de l'utilisation de cet équipement.

9. Always wear properly rated eye protection such as safety goggles or face shield while spraying.
(Safety glasses do not provide full protection)



CAUTION: Hot discharge fluid. Do not touch or direct discharge stream at persons or animals.

ATTENTION: Liquide de décharge chaud. Ne pas toucher ou décharger directement le jet vers des personnes ou des animaux.

WARNING: This machine produces hot water and must have insulated components attached to protect the operator.

AVERTISSEMENT: Cette machine produit de l'eau chaude et doit comporter des composants isolés attachés pour protéger l'opérateur.



WARNING: Risk of injury. Hot surfaces can cause burns. Use only designated gripping areas of spray gun and wand. Do not place hands or feet on non-insulated areas of the pressure washer.

AVERTISSEMENT: Risque de blessures. Les surfaces chaudes peuvent causer des brûlures.

Utiliser uniquement les zones de prise désignées du pistolet pulvérisateur et de la lance. Ne pas placer les mains ou les pieds sur des endroits non isolés de la laveuse à pression.

10. To reduce the risk of injury, close supervision is necessary when a machine is used near children. Do not allow children to operate the pressure washer. **This machine must be attended during operation.**



WARNING: Grip cleaning wand securely with both hands before starting. Failure to do this could result in injury from a whipping wand.

AVERTISSEMENT: Agripper la lance de nettoyage avec les deux mains avant de commencer. Le non-respect de cette consigne

pourrait mener à des blessures causées par le mouvement violent de la lance.

11. Never make adjustments on machine while in operation.

12. Be certain all quick coupler fittings are secured before using pressure washer.



WARNING: High pressure developed by these machines will cause personal injury or equipment damage. Keep clear of nozzle. Use caution when operating. Do not direct discharge stream at people or animals, or severe injury or death will result.

AVERTISSEMENT: La haute pression générée par ces machines causera des lésions corporelles ou des dommages à l'équipement. Se tenir à l'écart de la buse. Faire preuve de prudence lors de l'utilisation. Ne pas décharger directement le jet vers des personnes ou des animaux, car cela risquerait de causer des blessures graves ou même la mort.



CAUTION: Protect machine from freezing.

ATTENTION: Protéger la machine contre le gel.

13. To keep machine in best operating conditions, it is important you protect machine from freezing. Failure to protect machine from freezing could cause malfunction of the machine and result in death, serious bodily injury, and/or property damage. Follow storage instructions specified in this manual.

14. Inlet water must be clean fresh water and no hotter than 90°F.



WARNING: Risk of asphyxiation. Use this product only in a well ventilated area.

AVERTISSEMENT: Risque d'asphyxie. Utiliser ce produit uniquement dans un endroit bien ventilé.

15. Avoid installing machines in small areas or near exhaust fans. Adequate oxygen is needed for combustion or dangerous carbon monoxide will result.

16. Manufacturer will not be liable for any changes made to our standard machines or any components not purchased from us.

Safety

17. The best insurance against an accident is precaution and knowledge of the machine.



WARNING: *Be extremely careful when using a ladder, scaffolding or any other relatively unstable location. The cleaning area should have adequate slopes and drainage to reduce the possibility of a fall due to slippery surfaces.*

AVERTISSEMENT: *Faire preuve d'une extrême prudence au moment d'utiliser une échelle, des*

échafaudages ou toute autre surface relativement instable. La zone de nettoyage doit avoir une pente et un drainage adéquats pour réduire la possibilité d'une chute due à une surface glissante.

18. Do not overreach or stand on unstable support. Keep good footing and balance at all times.
19. Do not operate this machine when fatigued or under the influence of alcohol, prescription medications, or drugs.
20. Follow the maintenance instructions specified in the manual.
21. Do not replace LP tank while machine is running. Serious injury could result.
22. The LP models are designed to run on vapor propane fuel. Do not use liquid fuel. Have a qualified serviceman install and service your equipment.
23. Never expose a spark or flame where they may be unburned gas present.

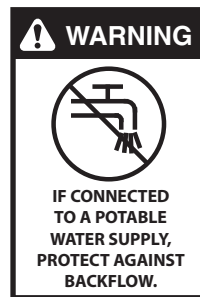
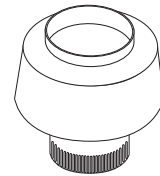
WARNING: *Install this machine about 2 feet from wall to provide adequate ventilation and servicing space. This equipment incorporates parts such as snap switches or similar parts that tend to produce arcs or sparks. Therefore, when located in a garage, it should be in a room or enclosure provided for the purpose or should be installed 18" (46cm) or more above the floor.*

AVERTISSEMENT: *Installer la machine environ .61 mètres (2 pieds) du mur pour fournir une ventilation et un espace d'entretien adéquats. Cet équipement comprend des pièces comme des interrupteurs à rupture brusque ou des pièces semblables qui ont tendance à produire des arcs ou des étincelles. Par conséquent, lorsque l'appareil se trouve dans un garage, il devrait se trouver dans une pièce ou une enceinte prévue à*

cet effet ou devrait être installé à 46 cm (18 po) ou plus du sol.

24. When making repairs disconnect from electrical source and shut off gas valve.
25. Install this machine on non combustible flooring.
26. Do not allow acids, caustic or abrasive fluids to pass through the pump.
27. Never run pump dry or leave spray gun closed longer than 3 minutes.
28. Exhaust gases should not be vented into a wall, a ceiling or a concealed space of a building. A draft diverter must be installed to prevent down draft and to allow cooling of exhaust temperatures. Exhaust gases that exceed 470°F (243°C) are not suitable for connection to Type B gas vents. Do not install this machine on a combustible floor.
29. Before disconnecting discharge hose from water outlet, turn burner off and open spray gun to allow water to cool below 100° before stopping the machine. Then open the spray gun to relieve pressure. Failure to properly cool down or maintain the heating coil may result in a steam explosion.

Example of Down Draft Diverter for Gas Fired Machines



WARNING: *If connection is made to potable water supply, the system shall be protected against back flow.*

AVERTISSEMENT: *Si une connexion est établie avec un approvisionnement en eau potable, un dispositif de protection contre le retour d'eau*

doit être fourni.



WARNING: Do not spray machine or any people, animals or electrical parts.

AVERTISSEMENT: Ne pas vaporiser sur la machine ou les gens, les animaux ou les pièces électriques.



Follow the maintenance instructions specified in the manual.

Suivre les instructions d'entretien spécifiées dans le manuel.

Propane Tank Safety Instructions:

CAUTION: Only qualified persons should fill your LP-Gas containers.

ATTENTION: Les contenants de gaz de pétrole liquéfié doivent être remplis uniquement par des personnes qualifiées.

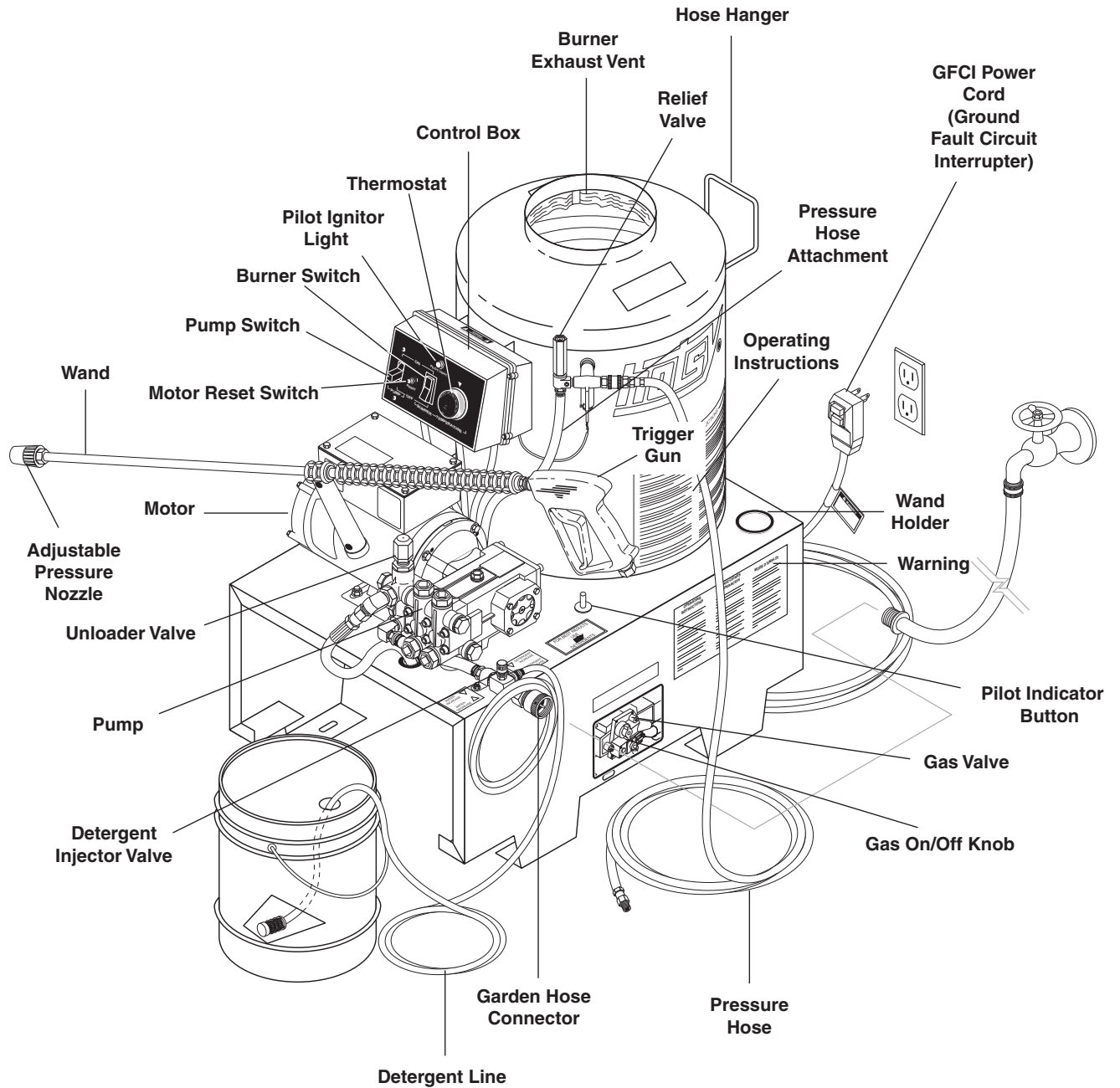
1. Never allow your LP-gas container to be filled above the maximum safe level as indicated by a scale or the fixed liquid level gauge (ou tage). Do not use the visible gauge for filling.
2. Do not use a wrench or pliers to close the service valve or fixed liquid level gauge. These valves are designed to be closed leak-tight by hand or screw-driver as appropriate. If wrenches are necessary to stop a leak, the valve needs repair or replacement.
3. When tightening the POL Nut (left hand thread) on the service valve, draw it up snug with a proper wrench. This is a machined male brass fitting which seats securely against a female seat in the POL valve – no pipe dope is necessary. Acme/ Type 1 valves have right handed threads which are secure when hand tight, and on the Quick Disconnect/Type 2 Valves, the male connection is inserted into the female connection on the cylinder valve. (No wrenches required for both the Acme and the Quick Disconnect.)
4. When using container, slowly open service valve all the way. Listen to the regulator. A continuous hiss may indicate a leak or an open valve on an appliance.
5. Check all tank and the line connections periodically to be sure they are tight. When testing for leaks, use approved leak detector solution – not matches.
6. Make certain your container is properly fastened in place.
7. Turn container with open part of container guard towards frame. This protects valves and regulator against flying rocks and mud. Transport container in the proper position in which it is used, with the valves closed and POL Plugs inserted for POL Valves or Dust Caps for Acme Valves. Secure the tank against falling or rolling.
8. Check for leaks after connecting. Apply approved leak detector solution to connection, turn off all burners and pilots, and open service valve. Leaks will be detected by the growth of the bubbles. If bubbles grow, tighten or repair the connection as needed. Repeat leak test until problem is corrected.
9. LP-gas is normally non-corrosive – you need not worry about the inside of your container. However, the outside should be kept free from rust by a periodic coat of paint in a light reflective color. It is very important to inspect and maintain the bottom and foot ring on the container.
10. Do not store LP-gas containers indoors or in enclosed areas. Do not expose LP-gas container to heat. Always store with service valve closed and plugged as required.
11. Do not attempt to repair any containers, container valves, regulator or appliances by yourself. Use only trained certified LP-gas service personnel to perform repairs.
 - Propane tanks, gas bottles will not be picked up by local garbage collectors. Improper propane tank disposal might be illegal in some areas. Propane tank disposal and filling is a safety issue that should be handled by a propane company.

Operations

Technical Specifications

Model #	Pump Volume @ Pump Head	Pump Pressure @ Pump Head	Burner Type: LP Gas Fired	Machine Voltage	Total Machine Amperage	Machine Weight	Shipping Weight	Exhaust Stack Size	Machine Dimensions
558	2.2 GPM/ 132 GPH	1300 PSI	202,253 BTU	115VAC/ 60Hz/ 1Ph	18 Amps	275 Lbs.	310 Lbs.	10"	L = 28.5" W = 20" H = 31"

Component Identification



Operations

Assembly Instructions

Unpacking

Unpack carefully. Wear safety glasses or goggles while unpacking, assembling or operating pressure washer. If there are missing components or hidden damage immediately contact distributor or carrier concerning discrepancies.

1. Cut strapping band from pressure washer and pallet.
2. Remove pressure washer from pallet.

Parts Included

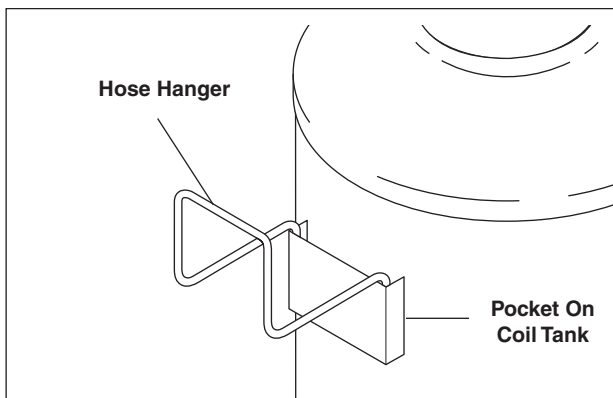
- Pressure Washer
- Pressure Hose
- Hose Hanger
- Wand
- Parts Bag Containing:
 - Adjustable Pressure Nozzle
 - Garden Hose Connector
 - Quick Disconnect
 - Trigger Gun
 - Garden Hose Connector Spring
 - Quick Disconnect Plug
- Operating Instructions and Parts Manual

Tools Required

- 10" Adjustable Crescent Wrench (2 ea.)
- 1/2" Allen Wrench
- Small Flat Head Screwdriver

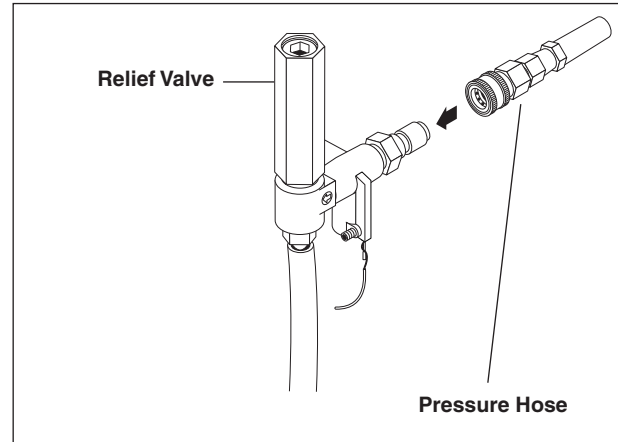
Hose Hanger

1. Install the hose hanger as shown.



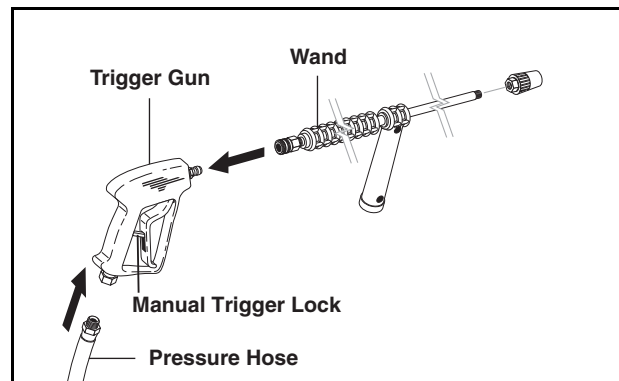
Pressure Hose, Trigger Gun & Wand

1. When assembling, use Teflon tape on all plumbing connections to prevent leakage
2. Install the pressure hose on the pressure washer as shown.



NOTE: Pressure relief valve must be tested and inspected annually.

3. Assemble wand components as shown. Connect pressure hose to trigger gun.



NOTE: The pressure nozzle is not to be installed at this time.

4. Make sure that all plumbing connections are tight.

Garden Hose Connector

1. When assembling, use Teflon tape on all plumbing connections to prevent leakage.
2. Locate the garden hose connector and garden hose connector spring from the parts bag.
3. Assemble the spring and connector to the detergent injector as shown.
4. Make sure that all plumbing connections are tight.

Installation

Getting Started

IMPORTANT: *Proper initial installation of equipment will assure more satisfactory performance, longer service life and lower maintenance cost.*

IMPORTANT: *The use of a backflow preventer on the water supply hose is recommended and may be required by local codes.*

The pressure washer should be run on a level surface where it is not readily influenced by outside sources such as strong winds, freezing temperatures, rain, etc. The pressure washer should be located to assure easy access for filling of fluids, adjustments and maintenance.

Normal precautions should be taken by the operator to prevent moisture from reaching the pressure washer. It is recommended that a partition be made between the wash area and the pressure washer to prevent direct spray from the wand coming in contact with the pressure washer. Moisture reaching the equipment will reduce the pressure washer's service life. All installations should comply with the local codes covering such installations.

Venting

CAUTION: *Some gases are heavier than air and will spill out on the floor in the 2 to 3 minutes required for the safety pilot valve to close off gas supply. Therefore, always provide adequate space and ventilation around these units.*

ATTENTION: *Certains gaz sont plus lourds que l'air et s'accumuleront au sol le temps requis pour la soupape de sûreté de la veilleuse pour couper l'alimentation en gaz. Par conséquent, toujours fournir un espace de dégagement et une ventilation adéquats autour de ces appareils.*

CAUTION: *All venting must be in accordance with applicable federal and state laws, and local ordinances. Consult local heating contractors.*

ATTENTION: *Toute la ventilation doit être conforme aux lois fédérales et de l'État ou de la province, et aux réglementations locales applicables. Consulter des entrepreneurs en systèmes de chauffage locaux.*

IMPORTANT: *This machine is not to be connected to a type B gas vent. NE PAS RACCORDER CET APPAREIL À UN TUYAU D'ÉVACUATION DE GAZ DU TYPE B.*

IMPORTANT: *A draft diverter shall be installed. INSTALLER UNE HOTTE DE TIRAGE.*

If the pressure washer is to be used in an enclosed area, a flue must be installed to vent burner exhaust to the outside atmosphere. Exhaust gases should not be vented into a wall, a ceiling, or a concealed space of a building. Be sure the flue is the same size as the burner exhaust vent on the pressure washer. Poor draft will cause the pressure washer to soot and not operate properly.

When selecting the location for installation, beware of poorly ventilated locations or areas where exhaust fans may cause an insufficient supply of oxygen. Proper combustion can only be obtained when there is a sufficient supply of oxygen available for the amount of fuel being burned. If it is necessary to install the machine in a poorly ventilated area, outside fresh air may have to be piped to the burner and a fan installed to bring sufficient air into the machine. Locate the pressure washer so that the flue will be as straight as possible and protrude through the roof at a proper height and location to provide adequate draft. This gas fired pressure washer must have a draft diverter installed in the flue (available from most heating contractors). A draft diverter will permit proper upward flow of exhaust flue gases.

Water Supply

Connect water supply hose to the garden hose connector. See the **Component Identification** page for location. The water faucet and supply hose must be capable of providing a minimum of 2.2 gallons per minute (GPM).

Fuel Supply

CAUTION: *Have a qualified gas serviceman install and service your equipment.*

ATTENTION: *La modification, l'installation et l'entretien de l'équipement doivent être confiés à un technicien d'entretien qualifié dans le domaine du gaz.*

WARNING: *Gas line supply pressure must not exceed 14 water column inches (w.c.i.) (.50 PSI).*

AVERTISSEMENT: *La pression d'alimentation de la conduite d'alimentation en carburant ne doit pas excéder 14 pouces de colonne d'eau (.50 PSI).*

IMPORTANT: *Gas line must be provided with a shut off valve.*

IMPORTANT: *The gas supply must be able to supply a minimum of 245,000 BTU/HR at the machines rated manifold pressure.*

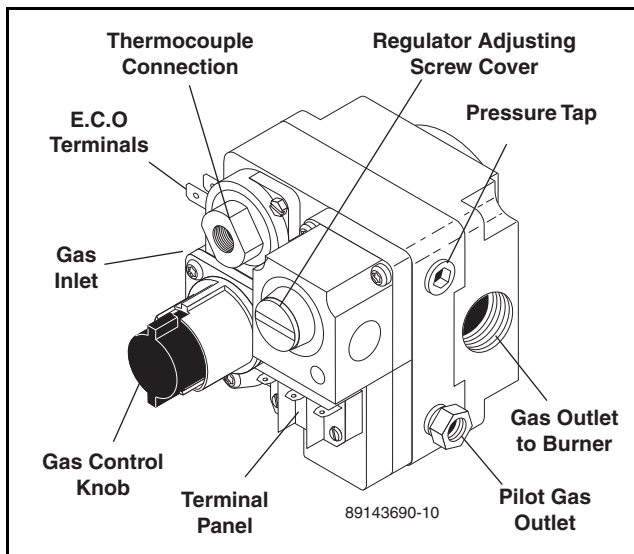
Consult building codes for installation requirements. For proper and safe machine operation, we recommend that a licensed contractor be consulted for machine installation.

Operations

LP Vapor Fuel

The model 558 has been factory built to use LP vapor fuel. **DO NOT** use liquid fuel. **NE PAS utiliser de carburant liquide.**

Have a qualified gas serviceman install the LP vapor fuel supply line to the machine. See below for location of gas inlet.



Gas Regulator

It is very important that the incoming gas pressure be between 12.0-14.0 water column inches (.43-.50 PSI). If your fuel supply does not produce the correct pressure range contact your local Hotsy Service Representative.

The gas pressure coming out of the regulator and going to the burner ring has been factory set for elevations of 0 to 2000 ft. Altitudes greater than 2000 ft will require adjustments to the gas manifold pressures. Consult your local service dealer/distributor for high altitude adjustments. In Canada, certification for installation at altitudes over 4500 feet above sea level is the jurisdiction of local authorities. You should not readjust the burner ring gas pressure. If you replace your gas valve, you will need to adjust the new valve. Refer to your machine's **specification plate** for the correct pressure setting. Follow the installation and adjustment instructions provided with your replacement valve.

NOTE: Air for combustion and ventilation along with exhaust flue sizing must conform to methods outlined in current American Standard (ANSI-Z223.1) National Fuel Gas Code or National Standard of Canada CSA-149.1 and CSA-149.2 "Installation Code for Gas Burning Appliances".

Electrical

WARNING: Make sure all switches and controls are in the OFF position prior to connecting electrical supply.

AVERTISSEMENT: S'assurer que tous les commutateurs et tous les contrôles se trouvent en position d'arrêt avant de raccorder l'alimentation électrique.

WARNING: DO NOT stand in water while connecting and disconnecting electrical supply.

AVERTISSEMENT: NE PAS se tenir debout dans l'eau au moment de brancher ou de débrancher l'alimentation électrique.

WARNING: Always disconnect power before servicing your pressure washer.

AVERTISSEMENT: Toujours débrancher l'alimentation avant d'effectuer des opérations d'entretien sur la machine.

IMPORTANT: Consult local building codes for exact electrical requirements. Licensed contractors may be required.

IMPORTANT: All wiring must be of proper voltage and amperage rating and conform to applicable codes.

IMPORTANT: This machine must be electrically grounded. LA MACHINE DOIT ÊTRE MISE À LA TERRE.

Grounding Instructions: Make sure all switches and controls are in the OFF position prior to connecting electrical supply. Do not stand in water while connecting and disconnecting electrical supply. If it should malfunction or break down, grounding provides a path of least resistance for electric current to reduce the risk of electric shock. The product must be connected to an appropriate power source that is properly installed and grounded in accordance with all local codes and ordinances.

DANGER: Improper connection of the equipment grounding conductor can result in a risk of electrocution. Check with a qualified electrician or service personnel if you are in doubt as to whether the outlet is properly grounded. DO NOT modify the plug provided with the product - if it will not fit the outlet, have a proper outlet installed by a qualified electrician. DO NOT use any type of adapter with this product.

DANGER: Une mauvaise connexion du conducteur de terre de l'équipement peut entraîner un risque

d'électrocution. Vérifier auprès d'un électricien qualifié ou du personnel d'entretien si vous avez des doutes quant à savoir si la sortie est correctement mise à la masse. NE PAS modifier la fiche fournie avec le produit - si elle n'entre pas dans la sortie, faire installer une sortie appropriée par un électricien qualifié NE JAMAIS utiliser un adaptateur avec ce produit.

WARNING: *To reduce the risk of electrocution, keep all connections dry and off the ground. DO NOT touch plug with wet hands.*

AVERTISSEMENT: *Pour réduire le risque d'électrocution, garder toutes les connexions sèches et dégagées du sol. NE PAS toucher la fiche avec des mains mouillées.*

CAUTION: *Use copper conductors only.*

ATTENTION: *Utiliser des conducteurs en cuivre seulement.*

Operation Instructions

Before Starting

1. Read all manuals provided with this pressure washer. Become familiar with location and function of all operating and safety controls.

Grounding Instructions: This product must be electrically grounded. If it would malfunction or break down, grounding provides a path of least resistance for electric current to reduce the risk of electric shock. This machine must be wired into an appropriate outlet that is properly installed and grounded in accordance with all local codes and ordinances.

DANGER: *Improper wiring connections of equipment can result in a risk of electrocution. Check with a qualified electrician or service personnel if you are in doubt as to whether outlet is properly grounded.*

DANGER: *Des connexions de câble fautives de l'équipement peuvent entraîner un risque d'électrocution. Vérifier auprès d'un électricien qualifié ou du personnel d'entretien si vous avez des doutes quant à savoir si la sortie est correctement mise à la masse.*

WARNING: *Make sure all switches and controls are in OFF position prior to connecting electrical supply.*

AVERTISSEMENT: *S'assurer que tous les commutateurs et tous les contrôles se trouvent en position d'arrêt avant de raccorder l'alimentation électrique.*

WARNING: *DO NOT stand in water while plugging or unplugging electrical cord.*

AVERTISSEMENT: *Ne pas se tenir debout dans l'eau au moment de brancher ou de débrancher le cordon électrique.*

CAUTION: *This pressure washer is equipped with a UL approved ground fault circuit interrupter (GFCI) power cord. Use UL grounded type receptacles of proper voltage and amperage ratings. Where a properly grounded receptacle is not available, it is the personal responsibility of the owner to have one installed. Always disconnect power before servicing your pressure washer.*

ATTENTION: *La laveuse à pression est équipée d'un cordon d'alimentation de disjoncteur différentiel de fuite à la terre (DDFT) approuvé par l'UL. Utiliser des prises de type UL mises à la masse de tension et d'intensité de courant nominales appropriées. Lorsqu'une prise correctement mise à la masse n'est pas disponible, il incombe au propriétaire d'en faire installer une. Toujours débrancher l'alimentation avant d'effectuer des opérations d'entretien sur la machine.*

CAUTION: *This machine is equipped with a 35 foot long power cord protected by a ground fault circuit interrupter (GFCI). DO NOT use extension cords due to possible severe electrical shock and/or damage to the machine.*

ATTENTION: *Cette machine est équipée d'un cordon d'alimentation de 10.67 mètres (35 pi) de long protégé par un disjoncteur différentiel de fuite à la terre (DDFT). Ne pas utiliser de rallonge électrique avec ce produit.*

2. Connect electrical cord to an overload protected 115VAC/60Hz/1Ph grounded circuit, minimum 18 ampere rated. Test the GFCI using the reset and test procedure located on the GFCI device. Do not use machine if GFCI fails test. The GFCI must be reset and tested with every use.

WARNING: *Check hoses, fittings, wand, trigger gun and fuel connections daily for signs of wear, cracks and looseness, and replace as required.*

AVERTISSEMENT: *Vérifier les boyaux, les raccords, le pistolet à gâchette et les connexions de carburant pour la présence de traces d'usure, de fissures et de desserrement; remplacer au besoin.*

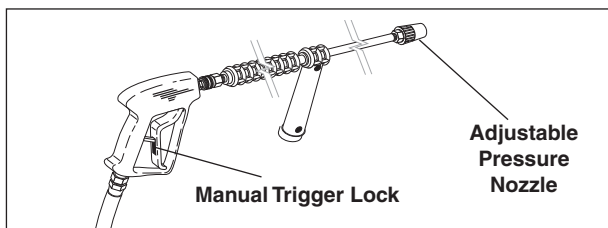
Operations

3. Connect water supply hose to the garden hose connector, see **Figure 1** for location. The water faucet and supply hose must be capable of providing a minimum of 2.2 gallons per minute (GPM).
4. This machine was factory built for either LP vapor fuel or Natural Gas. See instructions under **Fuel Supply**.
5. Check pump oil level.
6. If detergents are to be used, only use detergents intended for pressure washers. Follow instructions on the detergent container.

IMPORTANT: Before installing pressure nozzle on initial start-up, turn on water supply, start the pump by pressing the pump ON switch, and hold the trigger gun trigger open until water appears at the end of the wand. Allow water to run from the end of the wand until clear to prevent the nozzle from clogging.

IMPORTANT: If pressure washer has not been used for an extended period of time, remove pressure nozzle from the end of trigger gun and turn on water supply, and start pump by pressing pump ON switch. Hold trigger gun trigger open and allow water to run from end of the wand until clear.

7. Install the adjustable pressure nozzle on end of wand, see below.



NOTE: To prevent damage to the pressure nozzle, only place the wrench on hex area when tightening.

IMPORTANT: The trigger gun provided with this pressure washer is equipped with a manual trigger lock to prevent accidental operation of the trigger gun, refer to Figure 6. The trigger lock should be used whenever the trigger gun is not in use.

IMPORTANT: Pump may require priming the first time the pressure washer is run. See step 8.

8. If you are running the machine for the first time, or the machine has been sitting for a period of time, the pump may require priming. To prime the pump, run pressure washer with only the pump switch on.

IMPORTANT: On initial start-up or if maintenance has been performed on the burner assembly, it will be necessary to bleed the air from the gas line before the pilot will light.

9. If you are running the machine for the first time or have performed maintenance to the burner assembly, there will be air in the gas line. To bleed out the air from the gas line, run pressure washer with pump and burner switches ON and thermostat on highest setting. Squeeze the trigger of the trigger gun for 15 seconds. If the burner has not ignited, release the trigger for 5 seconds then squeeze for 15 seconds. If the burner has not ignited after 10 tries, see the **Troubleshooting Guide** in this manual.

CAUTION: Have a qualified gas service technician install and service your equipment.

ATTENTION: La modification, l'installation et l'entretien de l'équipement doivent être confiés à un technicien d'entretien qualifié dans le domaine du gaz.

DANGER: Never expose a spark or flame where there may be unburned gas present.

DANGER: Ne jamais exposer les endroits où il pourrait y avoir présence de gaz non brûlé à une étincelle ou une flamme.

To Start

WARNING: Risk of injection or severe injury - Keep clear of nozzle - DO NOT direct discharge stream at persons or animals - This machine is to be used only by qualified operators.

AVERTISSEMENT: Risque D'injection et de blessures graves. Se tenir à l'écart du jet. Ne pas diriger le jet de sortie vers d'autres personnes ou des animaux. Confier l'utilisation de ce matériel à un opérateur qualifié.

IMPORTANT: The water must be turned on before starting. Running the pump dry will cause damage and void warranty.

IMPORTANT: Do not allow the machine to run in bypass for more than 10 minutes at any one time or damage to pump may occur.

1. Connect electrical cord and test GFCI device.
2. Turn water on.

NOTE: The pilot indicator light on the control box will **ONLY** indicate the presence of the pilot while the machine is in operation. This light will be off when the machine is not running.

NOTE: The pilot may require repeated attempts to ignite following initial installation or replacement of the natural gas supply. The delay in ignition is due to trapped air in the gas supply/pilot line.

3. Open gas supply valve.
4. Turn the gas valve ON/OFF knob to pilot position.
5. Fully depress gas ON/OFF knob and hold in. Immediately push the igniter button down and repeat until the pilot ignites. If the pilot fails to ignite within 30 seconds, release the gas control knob, depress slightly and turn to the OFF position. Wait 15 minutes and repeat steps 4 and 5.
6. Once pilot has ignited, continue to depress the gas control knob for an additional 60 seconds before releasing.
7. Turn gas control knob to the ON position.
8. Hold wand firmly, release trigger of trigger gun and turn pump switch ON. Squeeze trigger of trigger gun and allow air to purge from system.
9. If HOT water is desired, adjust the thermostat to the proper temperature and turn burner switch ON. Squeeze trigger of trigger gun. The pilot will automatically light, quickly followed by the firing of the burner ring. When the trigger of the trigger gun is released or when the thermostat temperature setting is reached, the burner will automatically turn off.

IMPORTANT: If ignition or flame failure is experienced, discontinue use of pressure washer at once. Turn off burner and shut off fuel supply. Have cause of failure corrected by an authorized service technician before use of pressure washer is continued.

To Clean

WARNING: Risk of injection or severe injury - Keep clear of nozzle - DO NOT direct discharge stream at persons or animals. This machine is to be used only by qualified operators.

AVERTISSEMENT: Risque d'injection et de blessures graves. Se tenir à l'écart du jet. Ne pas diriger le jet de sortie vers d'autres personnes ou des animaux. Confier l'utilisation de ce matériel à un opérateur qualifié.

The detergent injector valve operates by reducing the volume of water, thus a vacuum is achieved and detergent is drawn into the system. **DO NOT** reduce the water inlet flow so much that the pump cavitates because of water starvation. Operating a pump with insufficient water will damage the pump seals.

1. Insert detergent line and screen into container of detergent.
2. Completely open detergent control knob located on the side of the detergent injector valve.
3. Start the detergent suction by rotating the water adjustment knob of the detergent injector valve. Turning the knob counterclockwise will pull detergent into the system. The flow may be observed through the clear detergent line. Secure the knob position with the knurled nut.
4. The side control knob can now be adjusted to meter the desired amount of detergent.
5. Select the width of your nozzle spray pattern by turning the black knob on the nozzle. Pattern can be from 0° through 80° fan spray.
6. Wash from the bottom to the top, using side to side motions. This washes away heavy dirt and allows the detergent to soak as you work toward the top.
7. Do not wash at a 90° angle to the work (straight at it). This will allow water to splash back at you and reduces your cleaning power. Wash at a 30° to 60° angle to the work. This will allow the water to splash away from you and the water will wash the dirt away faster and easier.
8. Use the width of the spray pattern to wash in a wide path. Overlap spray paths for complete coverage. Wash from side to side, using slow, steady motions.
9. The nozzle should be 12" to 24" from work, closer for tough areas. Be careful on painted or delicate surfaces, the pressure may damage surface if nozzle is too close.
10. Small parts should be washed in a basket so the pressure does not push them away. Larger, light-weight parts should be clamped down so the pressure does not push them away.
11. Turn the side detergent control knob clockwise (CW) for detergent decrease. Wait for detergent to clear. Always rinse with cold water after using detergent. Rinse from the top to the bottom to prevent detergent from dripping onto a rinsed area. For the best results, contact your Hotsy dealer to help you select the best detergent for your application.

Operations

To Stop

NOTE: If the machine is unplugged, the GFCI must be reset prior to use. Always test GFCI before each use.

1. If detergents were used, draw clean water through the detergent inlet line to purge detergent. Failure to do so may clog detergent injector valve.
2. Turn burner switch off and continue spraying, allowing the water to cool to below 100°F.
3. Turn OFF pump switch.
4. Turn OFF water supply.
5. Squeeze trigger gun open to relieve system pressure.
6. Depress gas control knob slightly and turn to OFF position.
7. Turn off main shut-off valve on gas supply.

Storage

DANGER: Do not store flammable liquids (gasoline, diesel fuel, petroleum, solvents, etc.) near pressure washer or in non-ventilated areas.

DANGER: Ne pas entreposer de liquides inflammables (essence, mazout, pétrole, solvants, etc.) à proximité de la laveuse à pression ou dans des endroits non ventilés.

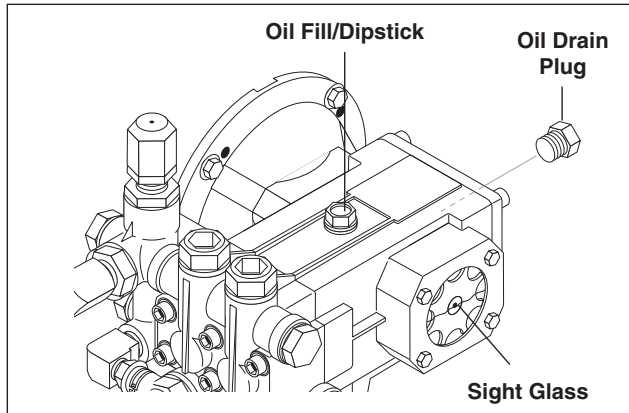
1. Protect from freezing by storing in a heated area, or by flushing the system with antifreeze (use an automotive engine antifreeze or windshield washer solvent to antifreeze). To flush the system with antifreeze, attach a short length of hose to the garden hose connector, see the Component Identification page for location. Place the other end of the hose into a container of antifreeze. Start machine and allow to run until antifreeze flows from the end of the wand. Squeeze and release the trigger gun several times to antifreeze the unloader system. Also draw antifreeze through the detergent inlet line to antifreeze the detergent system. For added protection after antifreezing, disconnect the pressure hose from machine and remove the coil drain plug (refer to Component Identification for location). After coil has drained, replace pressure hose and coil drain plug. If the pressure washer is not to be used for an extended length of time, it is recommended that the system be flushed with antifreeze for rust protection.

WARNING: Unauthorized machine modification or use of non-approved replacement parts may cause personal injury and/or property damage and will void the manufacturer warranty.

AVERTISSEMENT: Une modification non autorisée de la machine ou l'utilisation de pièces de rechange non approuvées peut causer des lésions corporelles et/ou des dommages à la propriété, et annulera la garantie du fabricant.

Pump

Lubrication: To lubricate pump, use 10W-40 non-foaming oil for pump crankcase. Crankcase must be filled to center of sight glass window found on the side of the pump, see below. During the break-in-period, make sure the oil is changed after the first 50 hours of operation. After that, replace oil every year or 500 hours of operation, whichever comes first.



Proper Pump Care

- **DO NOT** pump acids.
- **DO NOT** allow pump to run dry.
- Winterize if storing in freezing temperatures, refer to **Storage** for details.
- Use a water softener on the water system if known to be high in mineral content.
- Use only high quality detergents and follow manufacturer's mix recommendations.
- Flush the system with clean water immediately after using detergent solutions.
- Clean filter screen on detergent inlet line periodically.
- Flush the pressure washer system with anti-freeze if storing for an extended period of time, refer to **Storage** for details.

Pump Motor

On a yearly basis, oil pump motor per instructions on motor nameplate.

NOTE: Some motors may be equipped with permanently lubricated bearings and will not require additional lubrication.

Gas Burner

It is recommended that the gas burner be serviced yearly or as needed. Contact your local service center.

Relief Valve

Each machine is equipped with a relief valve to relieve pressure in the system when higher than normal operating pressures are encountered or if the unloader valve should fail. Unusually high pressures come from an object plugging the spray nozzle. If operating pressure is found to be normal and the relief valve continues to leak, repair or replace valve. The Safety Relief Valve should be opened to release any sediment yearly. Start the pressure washer and use an Allen wrench to turn the pressure relief valve counter clockwise until water is pouring out the valve. Then turn the adjustment nut/bolt until the valve stops leaking. Open and close the trigger gun and if water squirts out the valve when you close the trigger gun turn clockwise one full turn until there is no leaking when the trigger gun is closed.

Unloader Valve

WARNING: *The unloader valve on this pressure washer has been factory set and sealed and is a field nonadjustable part. Tampering with the factory setting may cause personal injury and/or property damage, and will void the manufacturer warranty.*

AVERTISSEMENT: *La soupape de décompression sur cette laveuse à pression a été réglée en usine, puis scellée, et est une pièce non réglable. L'altération du paramètre de l'usine pourrait causer des lésions corporelles et/ou des dommages à la propriété, et annulera la garantie du fabricant.*

Heating Coil

Coil Descaling: In hard water areas, scale buildup within the heating coil will occur. Scale deposits will decrease the water temperature rise and may eventually clog the heating coil. Contact your local service center when descaling is needed.

Coil Desooting: Poor grades of fuel or inadequate combustion air will cause heavy soot buildup on the outside surface of the heating coil. These deposits will insulate the coil. This will restrict the air flow through the coil, further aggravating the soot buildup. Contact your local service center when desooting is needed.

Maintenance

Troubleshooting

Symptom	Possible Causes	Corrective Action
Pump Motor Will Not Run	GFCI tripped	Reset and test GFCI with every use. See symptom " GFCI tripped ".
	No voltage to machine	Test power supply and correct.
	Pump motor reset button (thermal overload protector) tripped	Push reset button on control box. If tripped, check for proper voltage or clogged pressure nozzle.
	Excessive pressure due to clogged relief valve	Clean relief valve seat.
No Water Sprays From Pressure Nozzle	Pressure nozzle completely clogged	Clean pressure nozzle.
	Inlet water screen clogged	Check screen and clean if necessary.
	Pump sucking air	Fill the detergent container and check for loose hose clamps or fittings.
Low Pressure From Pressure Nozzle	Inlet water screen clogged	Check screen and clean if necessary.
	Pressure nozzle worn or incorrect size	Replace nozzle with proper size.
	Water supply low	Correct water supply.
	Pump sucking air	Fill the detergent container and check for loose hose clamps or fittings.
Poor Or No Detergent Flow	Low detergent level	Fill the detergent container.
	Detergent screen clogged	Clean if necessary.
	Detergent injector valve not opening	Check that handle or knob is not slipping on shaft.
	Pressure nozzle clogged	Clean pressure nozzle.
	Excessive inlet pressure (more than 80 PSI)	Adjust detergent injector valve. See instructions under To Clean .
Pressure Relief Valve Leaking	Excessive pressure due to unloader valve over adjusted	Call qualified service technician to adjust or replace unloader valve.
	Defective relief valve	Replace relief valve.
Burner Will Not Ignite When Trigger Gun Is Open	Defective pressure switch	Replace pressure switch.
	No gas	Check gas supply.
	No pilot	Check that indicator light is on.
	Thermostat set too low or defective	Raise thermostat setting. Replace if defective.
	Gas valve not open	After pilot light is on, turn gas valve ON/OFF knob to ON position, then turn burner switch on.

Symptom	Possible Causes	Corrective Action
Burner will not ignite when gun is open	Defective primary regulator	Replace regulator.
	Defective gas valve	Replace gas valve.
Burner smokes or has obnoxious odor	Stack restriction	See Venting under Installation .
Unloader cycles when trigger gun is open or closed	Air in system	Open and close trigger gun several times.
	Unloader out of adjustment or defective	Call a qualified service technician to adjust or replace unloader valve.
	Water leak between unloader valve and trigger gun	Check fittings, hose and trigger gun for leaks. Repair or replace.
Pilot does not light	Gas valve closed	Set gas valve ON/OFF knob to pilot.
	Gas leak in pilot	Call qualified service technician.
Pilot ignites but will not stay on when on/off knob is released	Pilot too far away from thermocouple	Adjust thermocouple closer to flame.
	Thermocouple loose at gas valve	Tighten to firm fit.
Short thermocouple life	Excessive heat from pilot flame	Decrease pilot supply gas.
	Thermocouple too close to pilot	Adjust thermocouple farther away.
Gfci tripped	Device has not been reset	Follow instructions on GFCI.
	Defective GFCI device	Replace.
	Line to ground fault	Contact qualified electrician to troubleshoot for ground fault.

IMPORTANT

If the pressure washer demonstrates other symptoms or the corrective actions listed do not correct the problem, contact the local authorized Hotsy Service Center. The Hotsy Service Center can be identified by visiting www.hotsy.com.

When ordering from your dealer, please provide the following:

Model Number: _____ **Release:** _____

Machine Serial Number: _____

Component Part Number: _____

Description: _____

If you need **SERVICE** on your pressure washer, contact your local Hotsy dealer or visit www.Hotsy.com. Smart phone users scan the code below to link directly to the Service Request page.



To **REGISTER** your pressure washer, please visit our Warranty Registration page at www.hotsy.com/WarrantyRegistration.aspx or scan the code below with your smart phone.

