



**MODELS 790SS, 795SS,  
795SS-208, 895SS**  
**OPERATING INSTRUCTIONS  
AND PARTS MANUAL**

*Read instructions carefully before attempting to assemble, install, operate or service this pressure washer. Failure to comply with instructions could result in personal injury and/or property damage!*



**SERIAL NUMBER:**

**DATE PURCHASED:**

**FOR SALES AND SERVICE, PLEASE CONTACT:**

**SHOP PRESSURE  
WASHER PARTS**

**shoppressurewasherparts.com | (888) 269-0172**



---

## 790SS

---

- Pump Volume At Pump Head: 2.8 gpm/168 gph
- Pump Pressure At Pump Head: 2000 psi
- Burner Type: Fuel Oil Fired, 290,000 BTU/Hr.
- Burner Fuel Pressure: 200 PSI Max.
- Machine Voltage: 230Vac/60Hz/1Ph
- Total Machine Amperage: 20 Amps
- Machine Weight: 409 Lbs.
- Shipping Weight: 459 Lbs.
- Exhaust Stack Size: 8"
- Machine Dimensions:  
Length = 51", Width = 29", Height = 42"

---

## 795SS

---

- Pump Volume At Pump Head: 3.5 gpm/210 gph
- Pump Pressure At Pump Head: 2000 psi
- Burner Type: Fuel Oil Fired, 290,000 BTU/Hr.
- Burner Fuel Pressure: 200 PSI Max.
- Machine Voltage: 230Vac/60Hz/1Ph
- Total Machine Amperage: 24 Amps
- Machine Weight: 409 Lbs.
- Shipping Weight: 459 Lbs.
- Exhaust Stack Size: 8"
- Machine Dimensions:  
Length = 51", Width = 29", Height = 42"

---

## 895SS

---

- Pump Volume At Pump Head: 3.5 gpm/210 gph
- Pump Pressure At Pump Head: 3000 psi
- Burner Type: Fuel Oil Fired, 290,000 BTU/Hr.
- Burner Fuel Pressure: 200 PSI Max.
- Machine Voltage: 230Vac/60Hz/1Ph
- Total Machine Amperage: 36 Amps
- Machine Weight: 431 Lbs.
- Shipping Weight: 481 Lbs.
- Exhaust Stack Size: 8"
- Machine Dimensions:  
Length = 51", Width = 29", Height = 42"

---

## 795SS-208

---

- Pump Volume At Pump Head: 3.5 gpm/210 gph
- Pump Pressure At Pump Head: 2000 psi
- Burner Type: Fuel Oil Fired, 290,000 BTU/Hr.
- Burner Fuel Pressure: 200 PSI Max.
- Machine Voltage: 208Vac/60Hz/1Ph
- Total Machine Amperage: 27 Amps
- Machine Weight: 409 Lbs.
- Shipping Weight: 459 Lbs.
- Exhaust Stack Size: 8"
- Machine Dimensions:  
Length = 51", Width = 29", Height = 42"

# CONTENTS

Important Safety Information	5-7
Component Identification	7
Assembly Instructions	8
Installation Instructions	9-10
Operation Instructions	11
General Cleaning Techniques & Storage	12
Maintenance	13
Troubleshooting	14-15
Exploded Views & Parts List	16-19
Control Panel Assembly & Parts List 790SS & 795SS	20
Control Panel Assembly & Parts List 895SS	21
Burner Assembly & Parts List	22
Fuel Tank Assembly & Parts List	23
Float Tank Assembly & Parts List	23
Pump Assembly & Parts List 790SS & 795SS	24
Pump Assembly & Parts List 895SS	25
Coil Outlet Assembly & Parts List	26
Detergent Valve Assembly & Parts List	26
Hose, Gun & Wand Assembly & Parts List	27
Pump - Exploded View & Parts List	28-29
HM Pump - Exploded View & Parts List	30-31
Wayne Burner Exploded View & Parts List	32-33
VBA Unloader Exploded View and Parts List	34
Wiring Diagram	35

Model Number \_\_\_\_\_

Serial Number \_\_\_\_\_

Date of Purchase \_\_\_\_\_

The model and serial numbers will be found on a decal attached to the pressure washer. You should record both serial number and date of purchase and keep in a safe place for future reference.

# INTRODUCTION & IMPORTANT SAFETY INFORMATION

Thank you for purchasing this Pressure Washer.

We reserve the right to make changes at any time without incurring any obligation.

## Owner/User Responsibility:

The owner and/or user must have an understanding of the manufacturer's operating instructions and warnings before using this pressure washer. Warning information should be emphasized and understood. If the operator is not fluent in English, the manufacturer's instructions and warnings shall be read to and discussed with the operator in the operator's native language by the purchaser/owner, making sure that the operator comprehends its contents.

Owner and/or user must study and maintain for future reference the manufacturers' instructions.

The operator must know how to stop the machine quickly and understand the operation of all controls. Never permit anyone to operate the engine without proper instructions.

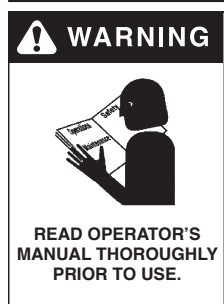
## SAVE THESE INSTRUCTIONS

**This manual should be considered a permanent part of the machine and should remain with it if machine is resold.**

**When ordering parts, please specify model and serial number. Use only identical replacement parts.**

**This machine is to be used only by trained operators.**

## IMPORTANT SAFETY INFORMATION



**WARNING: To reduce the risk of injury, read operating instructions carefully before using.**

1. Read the owner's manual thoroughly. Failure to follow instructions could cause malfunction of the machine and result in death, serious bodily injury and/or property damage.
2. Know how to stop the machine and bleed pressure quickly. Be thoroughly familiar with the controls.
3. Stay alert — watch what you are doing.
4. All installations must comply with local codes. Contact your electrician, plumber, utility company or the selling distributor for specific details. If your machine is rated 250 volts or less, single phase will be provided with a ground fault circuit interrupter (GFCI). If rated more than 250 volts, or more than single phase this product should only be connected to a power supply receptacle protected by a GFCI.

**DANGER: Improper connection of the equipment-grounding conductor can result in a risk of electrocution. Check with a qualified electrician or service personnel if you are in doubt as to whether the outlet is properly grounded. Do not modify the plug provided with the product - if it will not fit the outlet, have a proper outlet installed by a qualified electrician. Do not use any type of adaptor with this product.**

**WARNING: Must be plugged into properly wired three hole grounded outlet that accommodates plug on power cord. Failure to comply could result in electrical shock.**



**WARNING: Keep wand, hose, and water spray away from electric wiring or fatal electric shock may result.**

5. To protect the operator from electrical shock, the machine must be electrically grounded. It is the responsibility of the owner to connect this machine to a UL

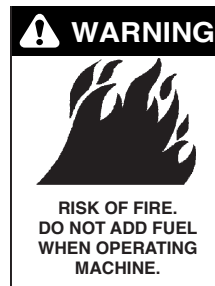
grounded receptacle of proper voltage and amperage ratings. Do not spray water on or near electrical components. Do not touch machine with wet hands or while standing in water. Always disconnect power before servicing.



**WARNING: Flammable liquids can create fumes which can ignite, causing property damage or severe injury.**

**WARNING: Risk of explosion — Operate only where open flame or torch is permitted.**

6. In oil burning models, use only kerosene, No. 1 home heating fuel, or diesel. If diesel is used, add a soot remover to every tankful.



**WARNING: Risk of fire — Do not add fuel when the product is operating or still hot.**

**WARNING: Do not use gasoline crankcase draining or oil containing gasoline, solvents or alcohol. Doing so will result in fire and/or explosion.**

7. Oil burning appliances shall be installed only in locations where combustible dusts and flammable gases or vapors are not present. Do not store or use gasoline near this machine.
8. Do not allow acids, caustic or abrasive fluids to pass through the pump.

## IMPORTANT SAFETY INFORMATION

9. Never run pump dry or leave spray gun closed longer than 1-2 minutes.
10. Keep operating area clear of all persons.

**WARNING**



USE PROTECTIVE EYE WEAR AND CLOTHING WHEN OPERATING THIS EQUIPMENT.

**WARNING:** High pressure spray can cause paint chips or other particles to become airborne and fly at high speeds. To avoid personal injury, eye, hand and foot safety devices must be worn.

11. Eye, hand, and foot protection must be worn when using this equipment.

**WARNING**



EAR PROTECTION MUST BE WORN

**WARNING:** This machine exceeds 85 db appropriate ear protection must be worn.

**WARNING**



HOT DISCHARGE FLUID: DO NOT TOUCH OR DIRECT DISCHARGE STREAM AT PERSONS.

**WARNING:** Hot discharge fluid. Do not touch or direct discharge stream at persons.

**WARNING:** This machine produces hot water and must have insulated components attached to protect the operator.

**WARNING**



RISK OF INJURY: HOT SURFACES CAN CAUSE BURNS

**WARNING:** Risk of injury. Hot surfaces can cause burns. Use only designated gripping areas of spray gun and wand. Do not place hands or feet on non-insulated areas of the pressure washer.

12. To reduce the risk of injury, close supervision is necessary when a machine is used near children. Do not allow children to operate the pressure washer. This machine must be attended during operation.

**WARNING**



TRIGGER GUN KICKS BACK - HOLD WITH BOTH HANDS

**WARNING:** Grip cleaning wand securely with both hands before starting. Failure to do this could result in injury from a whipping wand.

13. Never make adjustments on machine while in operation.

14. Be certain all quick coupler fittings are secured before using pressure washer.

**WARNING**



RISK OF INJECTION OR SEVERE INJURY TO PERSONS. KEEP CLEAR OF NOZZLE.

**WARNING:** High pressure developed by these machines will cause personal injury or equipment damage. Keep clear of nozzle. Use caution when operating. Do not direct discharge stream at people, or severe injury or death will result.

**WARNING**



PROTECT FROM FREEZING

**WARNING:** Protect machine from freezing.

15. To keep machine in best operating conditions, it is important you protect machine from freezing. Failure to protect machine from freezing could cause malfunction of the machine and result in death, serious bodily injury, and/or property damage. Follow storage instructions specified in this manual.

16. Inlet water must be clean fresh water and no hotter than 90°F.

**WARNING**



RISK OF ASPHYXIATION: USE THIS PRODUCT ONLY IN A WELL VENTILATED AREA.

**WARNING:** Risk of asphyxiation. Use this product only in a well ventilated area.

17. Avoid installing machines in small areas or near exhaust fans. Adequate oxygen is needed for combustion or dangerous carbon monoxide will result.

18. Manufacturer will not be liable for any changes made to our standard machines or any components not purchased from us.

19. The best insurance against an accident is precaution and knowledge of the machine.

**WARNING**



RISK OF INJURY FROM FALLS WHEN USING LADDER.

**WARNING:** Be extremely careful when using a ladder, scaffolding or any other relatively unstable location. The cleaning area should have adequate slopes and drainage to reduce the possibility of a fall due to slippery surfaces.

20. Do not overreach or stand on unstable support. Keep good footing and balance at all times.

21. Do not operate this machine when fatigued or under the influence of alcohol, prescription medications or drugs.

# IMPORTANT SAFETY INFORMATION

## WARNING



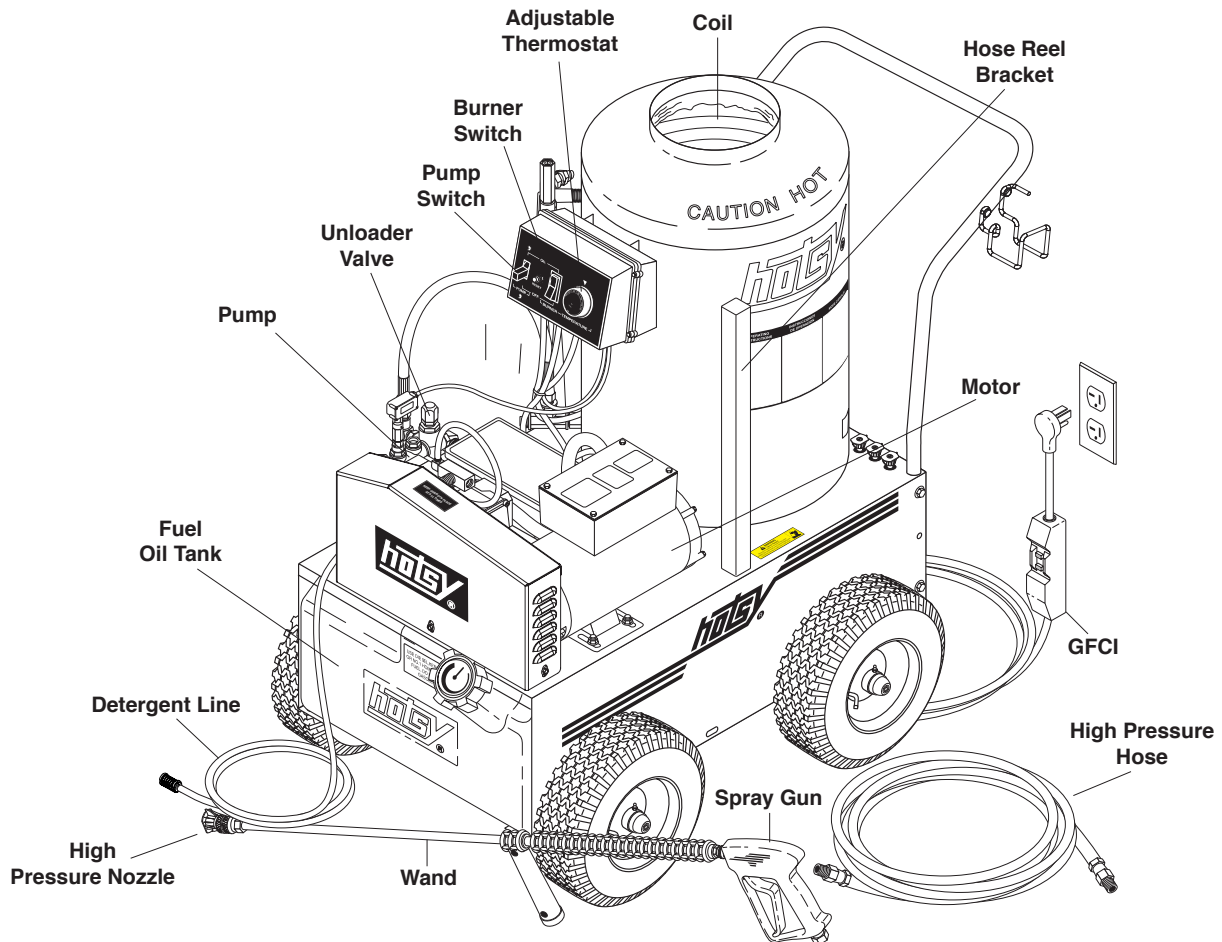
DO NOT SPRAY  
MACHINE OR ANY  
PEOPLE, ANIMALS OR  
ELECTRICAL PARTS.

**WARNING:** Do not spray machine or any people, animals or electrical parts.



Follow the maintenance instructions specified in the manual.

## COMPONENT IDENTIFICATION



**Pump** — Delivers a specific gpm to the high pressure nozzle which develops pressure.

**Spray Gun** — Controls the application of water and detergent onto cleaning surface with trigger device. Includes safety latch.

**Detergent Injector** — Allows you to siphon and mix detergents.

**Wand** — Must be connected to the spray gun.

**High Pressure Hose** — Connect one end to water pump high pressure discharge nipple and the other end to spray gun.

**Unloader Valve** — Safety device which, when the spray gun closes, prevents over pressurization (Not Shown.)

**Note:** If trigger on spray gun is released for more than 2 minutes, water will leak from the pump protector. Warm water will discharge from pump protector onto floor. This system prevents internal pump damage.



# ASSEMBLY INSTRUCTIONS

## Unpacking

Unpack carefully. Wear safety glasses or goggles while unpacking, assembling or operating pressure washer. If there are missing components or hidden damage immediately contact distributor or carrier concerning discrepancies.

1. Cut strapping band from pressure washer and pallet.
2. Remove pressure washer from pallet.

## Parts Included

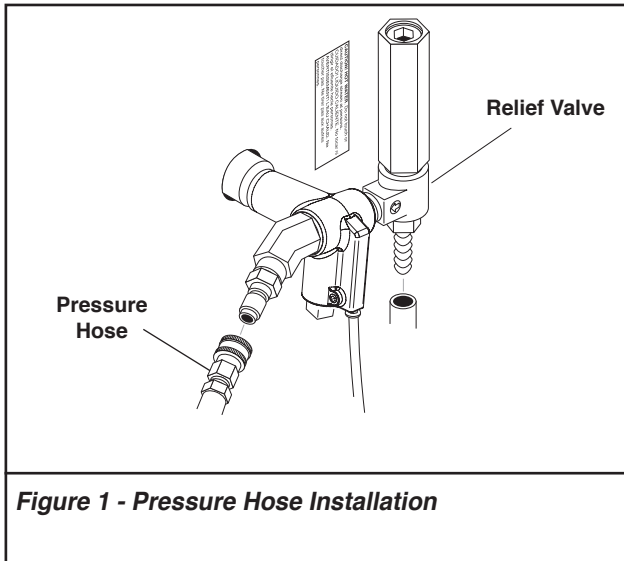
- Pressure Washer
- Pressure Hose/Trigger Gun Assembly
- Wand Assembly
- Handle
- Envelope Including:
  - Bolt 5/16" - 18 x 2" (5 ea.)
  - Flange Nut 5/16" - 18 (7 ea.)
  - Flat Washer 5/16" (5 ea.)
  - Operating Instructions/Parts Manual

## Tools Required

- 10" Adjustable Crescent Wrench (2 ea.)
- Teflon Tape

## Pressure Hose, Trigger Gun and Wand

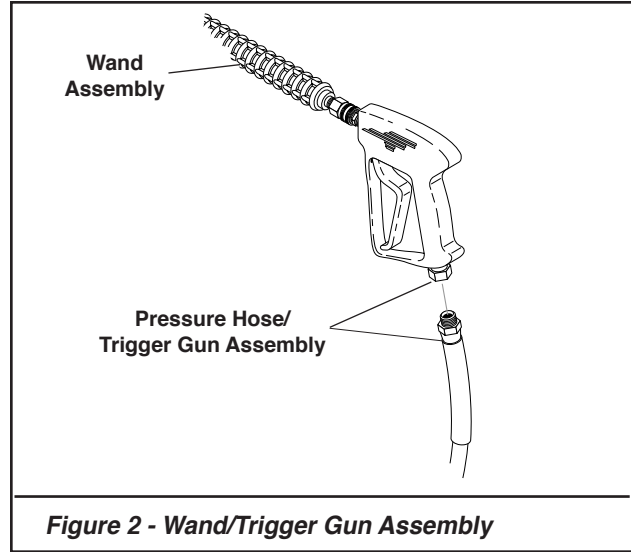
1. Use teflon tape on plumbing connections to prevent leakage.
2. Install pressure hose on machine as shown in **Figure 1**.
3. Attach the wand assembly to the pressure hose/trigger gun assembly as shown in **Figure 2**.



**Figure 1 - Pressure Hose Installation**

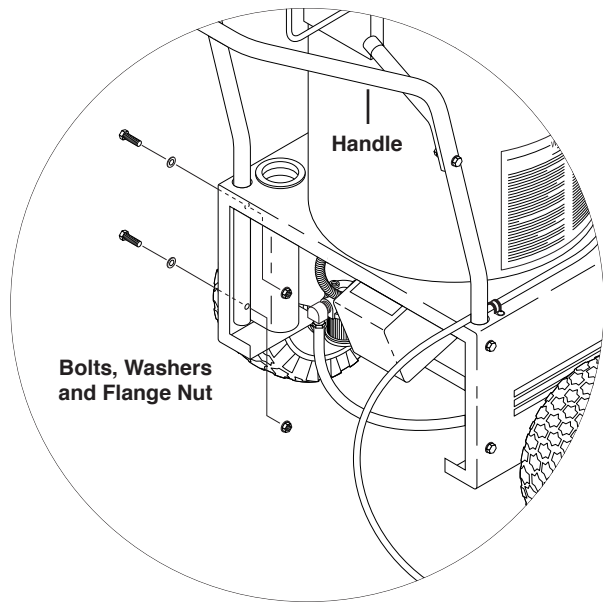
## Handle

1. Remove plastic tubing from ends of handle.



**Figure 2 - Wand/Trigger Gun Assembly**

2. Insert the handle through the holes in the chassis as shown in **Figure 3**. Use the bolts, washers and nuts from envelope to secure the handle to the chassis.



**Figure 3 - Handle Installation**



---

# INSTALLATION INSTRUCTIONS

---

## Getting Started

**IMPORTANT:** *The use of a backflow preventer on the water supply hose is recommended and may be required by local code.*

The pressure washer should be run on a level surface where it is not readily influenced by outside sources such as strong winds, freezing temperatures, rain, etc. The pressure washer should be located to assure easy access for filling of fluids, adjustments and maintenance. Normal precautions should be taken by the operator to prevent moisture from reaching the pressure washer. It is recommended that a partition be made between the wash area and the pressure washer to prevent direct spray from the wand coming in contact with the pressure washer. Moisture reaching the equipment will reduce the pressure washer's life. All installations should comply with the local codes covering such installations.

## Venting

**CAUTION:** *All venting must be in accordance with applicable federal and state laws, and local ordinances. Consult local heating contractors.*

If the pressure washer is to be used in an enclosed area, a flue must be installed to vent burner exhaust to the outside atmosphere. Exhaust gases should not be vented into a wall, a ceiling, or a concealed space of a building. Be sure the flue is the same size as the burner exhaust vent on the pressure washer. See **Component Identification** for location. Poor draft will cause the pressure washer to soot and not operate properly. When selecting the location for installation, beware of poorly ventilated locations or areas where exhaust fans may cause an insufficient supply of oxygen. Proper combustion can only be obtained when there is a sufficient supply of oxygen available for the amount of fuel being burned. If it is necessary to install the machine in a poorly ventilated area, outside fresh air may have to be piped to the burner and a fan installed to bring sufficient air into the machine. Locate the pressure washer so that the flue will be as straight as possible and protrude through the roof at a proper height and location to provide adequate draft. This oil fired pressure washer must have a draft regulator installed in the flue (available from most heating contractors). A draft regulator will permit proper upward flow of exhaust flue gases.

---

## INSTALLATION INSTRUCTIONS

---

### Burner Air Adjustment

The oil burner on this machine is preset for operation at altitudes below 500 feet. If operated at higher altitudes, it may be necessary to adjust the air band for a #1 or #2 smoke spot on the Bacharach scale.

To adjust, start machine and turn burner ON. Loosen two locking screws found on the air band and close air band until black smoke appears from burner exhaust vent. Note air band position. Next, slowly open the air band until white smoke just starts to appear. Turn air band halfway back to the previously noted position. Tighten locking screws.

For higher altitudes, the air band opening may need to be increased; for lower altitude, the air band may need to be decreased.

For higher humidity, the air band opening may need to be increased; for lower relative humidity, the air band may need to be decreased.

For higher ambient temperatures the air band opening may need to be increased; for lower ambient temperatures, the air band opening may need to be decreased.

Adjust to your operating location's environment as-needed for best smoke spot and performance compliant with local, state, and federal regulations.

# OPERATION INSTRUCTIONS

## Before Starting

**WARNING:** Check hoses, guns, fittings, and fuel connections daily for signs of wear, cracks and looseness, and replace as required.

1. Read all manuals provided with this pressure washer. Become familiar with location and function of all operating and safety controls.
2. Connect water supply hose to the standard garden hose connector. The water faucet and supply hose must be capable of providing 3.0 gpm for 790SS, and 4 gpm for 795SS, 795SS-208.
3. Fill fuel tank. Use kerosene, #1 grade home heating oil, #1 or #2 diesel fuel. **DO NOT USE GASOLINE, CRANKCASE OIL DRAININGS OR WASTE OIL.**
4. Check pump oil level.
5. If detergents are to be used, only use detergents intended for pressure washers. Follow instructions on the detergent container.

## Electrical Connections

**WARNING:** Make sure all switches and controls are in the OFF position prior to plugging in.

**CAUTION:** This pressure washer is equipped with a UL approved ground fault circuit interrupter (GFCI) power cord. Use UL grounded type receptacles of proper voltage and amperage ratings. Where a properly grounded receptacle is not available, it is the personal responsibility of the owner to have one installed. Always disconnect power before servicing your pressure washer.

Connect electrical cord and test the GFCI using the reset and test procedures provided on the GFCI device. The GFCI must be reset and tested with every use. Do not use machine if the GFCI device fails test.

## Nozzle Installation

**IMPORTANT:** Before installing nozzle on initial start-up, turn on the water supply, and allow water to run from the end of the wand until clear to prevent the nozzle from clogging.

**IMPORTANT:** If the pressure washer has not been used for an extended period of time, remove the nozzle from the end of the wand and turn on water supply. Allow water to run from the end of the wand until clear.

1. Install the proper pressure nozzle for your cleaning needs on the end of the wand. Refer to Figure 5.

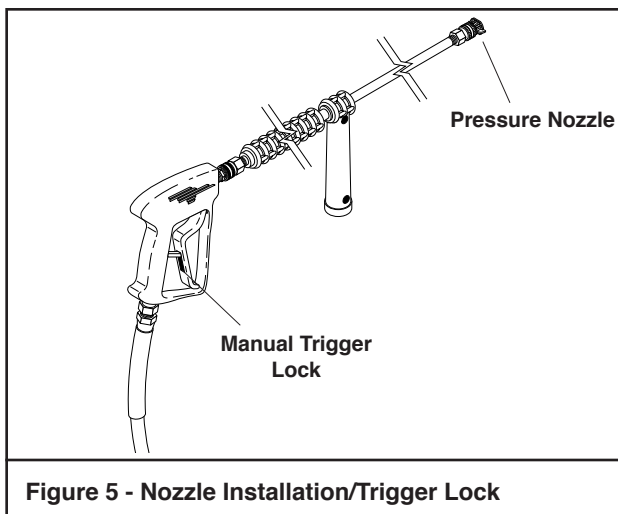


Figure 5 - Nozzle Installation/Trigger Lock

**IMPORTANT:** The trigger gun provided with this pressure washer is equipped with a manual trigger lock to prevent accidental operation of the trigger gun; refer to Figure 5. The trigger lock should be used whenever the trigger gun is not in use.

## To Start

**IMPORTANT:** The water must be turned on before starting. Running the pump dry will cause damage to pump seals and void warranty.

**IMPORTANT:** DO NOT allow the machine to run in bypass for more than 10 minutes at any one time or damage to pump may occur.

1. Turn water ON.
2. Hold gun firmly, squeeze trigger of trigger gun and turn pump switch ON. Allow air to purge from system.
3. If HOT water is desired, turn burner switch ON. Adjust thermostat to desired temperature. The burner will fire immediately with a small puff of smoke. If smoke continues refer to the Troubleshooting Guide in this manual. When the trigger gun is closed the burner will turn off.

## To Stop

1. If detergents were used, draw clear water through the detergent line to purge detergent.
2. If burner was used, turn off burner switch and allow pump to run cold water through coil.
3. Turn pump switch OFF.
4. Turn OFF water supply.
5. Squeeze trigger gun open to relieve system pressure.

# GENERAL CLEANING TECHNIQUES & STORAGE

## CLEANING TECHNIQUES

Pre-rinse cleaning surface with fresh water. Place detergent suction tube directly into cleaning solution and apply to surface at low pressure (for best results, limit your work area to sections approximately 6 feet square and always apply detergent from bottom to top). Allow detergent to remain on surface 1-3 minutes. Do not allow detergent to dry on surface. If surface appears to be drying, simply wet down surface with fresh water. If needed, use brush to remove stubborn dirt. Rinse at high pressure from top to bottom in an even sweeping motion keeping the spray nozzle approximately 1 foot from cleaning surface. Use overlapping strokes as you clean and rinse any surface. For best surface cleaning action spray at a slight angle.

### Recommendations:

- Before cleaning any surface, an inconspicuous area should be cleaned to test spray pattern and distance for maximum cleaning results.
- If painted surfaces are peeling or chipping, use extreme caution as pressure washer may remove the loose paint from the surface.
- Keep the spray nozzle a safe distance from the surface you plan to clean. High pressure wash a small area, then check the surface for damage. If no damage is found, continue to pressure washing.



### **CAUTION - Never use:**

- Bleach, chlorine products and other corrosive chemicals
- Liquids containing solvents (i.e., paint thinners, gasoline, oils)
- Tri-sodium phosphate products
- Ammonia products
- Acid-based products

These chemicals will harm the machine and will damage the surface being cleaned.

## RINSING

It will take a few seconds for the detergent to clear. Apply safety latch to spray gun. Select and install desired high pressure nozzle. **NOTE:** You can also stop detergent from flowing by removing detergent siphon tube from bottle.

## STORAGE

**DANGER: DO NOT store flammable liquids (gasoline, diesel fuel, solvents, etc.) near pressure washer, or in non-ventilated areas.**

Protect from freezing by storing in a heated area, or by flushing the system with antifreeze (use an automotive engine antifreeze or windshield washer solvent to antifreeze). To flush the system with antifreeze, attach a short length of hose to the garden hose connector located on the pump. Place the other end of the hose into a container of antifreeze. Start machine and allow to run until antifreeze flows from the end of the wand. Squeeze and release the trigger of the trigger gun several times to antifreeze the unloader system. Also draw antifreeze through the detergent inlet line to antifreeze the detergent system. For added protection after anti-freezing, disconnect the pressure hose from machine and remove the coil drain plug (refer to **Component Identification** for location). After coil has drained, replace pressure hose and coil drain plug. If the pressure washer is not to be used for an extended length of time, it is recommended that the system be flushed with antifreeze for rust protection.

# MAINTENANCE

**WARNING:** *Unauthorized machine modification or use of non-approved replacement parts may cause personal injury and/or property damage and will void the manufacturer warranty.*

## Pump

**Lubrication:** To lubricate pump, use 30W non-detergent oil for pump crankcase. Crankcase must be filled to center of sight glass window found on the side of the pump; refer to **Figure 6**. During the break-in period, make sure the oil is changed after the first 25 hours of operation. After that, replace oil every 3 months or 300 hours of operation, whichever comes first.

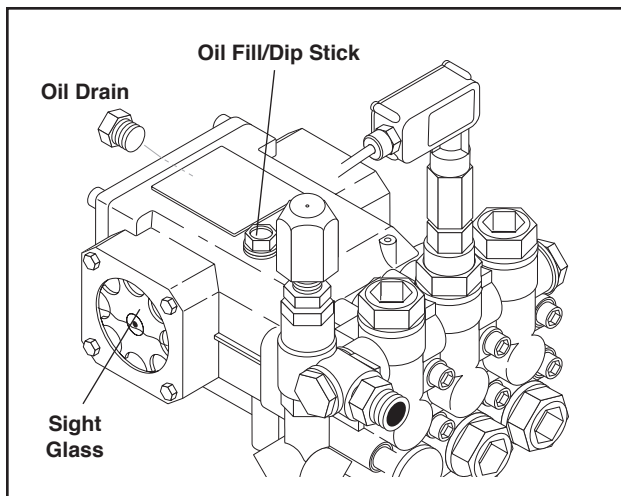


Figure 6 - Pump Lubrication

## Proper Pump Care:

- **DO NOT** pump acids.
- **DO NOT** allow pump to run dry.
- Winterize if storing in freezing temperatures. Refer to **Storage** for details.
- Use a water softener on the water system if known to be high in mineral content.
- Use only high quality detergents and follow manufacturer's mix recommendations.
- Flush the system with clear water immediately after using detergent solutions.
- Clean filter screen on detergent inlet line periodically.
- Flush the pressure washer system with antifreeze if storing for an extended period of time, refer to **Storage** for details.

## Pump Motor

On a yearly basis, oil pump motor per instructions on motor nameplate.

## Relief Valve

**WARNING:** *The relief valve on this pressure washer has been factory set and sealed and is a field non-adjustable part. Tampering with the factory setting may cause personal injury and/or property damage, and will void the manufacturer warranty. For replacement parts refer to Coil Outlet Assembly.*

If pressure from pump or thermal expansion should exceed safe limits, the relief valve will open, allowing high pressure to be discharged through hose to ground. **Caution:** *Inspect relief valve annually for any obstruction.*

## Unloader Valve

**WARNING:** *The unloader valve on this pressure washer has been factory set and sealed and is a field nonadjustable part. Tampering with the factory setting may cause personal injury and/or property damage, and will void the manufacturer warranty. For replacement refer to Pump Assembly.*

## Burner Fuel Filter

Drain any water which has accumulated in fuel filter and clean or replace element as needed. For replacement parts, refer to **Burner Assembly**.

## Heating Coil

**Coil Descaling:** In hard water areas, scale buildup within the heating coil will occur. Scale deposits will decrease the water temperature rise and may eventually clog the heating coil. Contact your local service center when descaling is needed.

**Coil Desooting:** Poor grades of fuel oil or inadequate combustion air will cause heavy soot buildup on the outside surface of the heating coil. These deposits will insulate the coil. This will restrict the air flow through the coil, further aggravating the soot buildup. Contact your local service center when desooting is needed.

## TROUBLESHOOTING

SYMPTOM	POSSIBLE CAUSES	CORRECTIVE ACTION
<b>PUMP MOTOR WILL NOT RUN.</b>	GFCI tripped.	Reset and test GFCI with every use. Follow Instructions under <b>Operation</b> .
	No voltage to machine.	Test power supply and correct.
	Pump motor reset button (thermal overload protector) tripped.	Push reset button on control box. If tripped, check for proper voltage or clogged water nozzle.
	Excessive pressure due to clogged water nozzle.	Clean water nozzle.
<b>NO WATER SPRAYS FROM WATER NOZZLE.</b>	Water nozzle completely clogged.	Clean water nozzle.
	Inlet water screen clogged.	Check screen and clean if necessary.
	Pump sucking air.	Fill the detergent container and check for loose hose clamps or fittings.
<b>LOW PRESSURE FROM WATER NOZZLE.</b>	Inlet water screen clogged.	Check screen and clean if necessary.
	Water nozzle worn or incorrect size.	Replace nozzle with proper size.
	Water supply low.	Correct water supply.
	Pump sucking air.	Fill the detergent container and check for loose hose clamps or fittings.
<b>POOR OR NO DETERGENT FLOW.</b>	Low detergent level.	Fill the detergent container.
	Detergent screen clogged.	Clean if necessary.
	Detergent valve not opening.	Check that handle or knob is not slipping on shaft.
	Water nozzle clogged.	Clean water nozzle.
	Excessive inlet pressure (more than 80 PSI).	Install pressure regulator on the inlet line.
<b>BURNER WILL NOT IGNITE WHEN TRIGGER GUN IS OPEN.</b>	Defective pressure switch.	Replace pressure switch.
	No fuel.	Fill fuel tank with proper fuel.
	Fuel valve closed.	Check that fuel valve on fuel tank is open.
	Thermostat set too low.	Raise thermostat setting.
	Burner motor reset button (thermal overload protector) tripped.	Push reset button on burner motor. If tripped, check for proper voltage.
	Clogged fuel filter.	Clean fuel filter.
<b>BURNER SMOKES OR HAS OBNOXIOUS ODOR.</b>	Air intake adjustment needs to be adjusted.	Readjust air intake per the oil burner section of this manual.
	Improper fuel.	Use proper fuel.

## TROUBLESHOOTING

SYMPTOM		POSSIBLE CAUSES	CORRECTIVE ACTION
<b>MACHINE SMOKES</b>  A) SMOKES WHILE UNIT IS RUNNING  B) SMOKES AT COLD-START WHEN BURNER IS OF	AB	Improper fuel or water in fuel	Drain tank and replace contaminated fuel.
	AB	Improper air adjustment	Readjust air bands on burner assembly.
	AB	Low fuel pressure < 140 PSI	Adjust fuel pump pressure to specifications.
	AB	Weak fuel pump	Check fuel pump pressure. Replace pump if needed.
	AB	Fuel filter partially clogged	Replace as needed.
	AB	Soot build up on coils	Clean coils with soot remover.
	AB	Lime build up in coils	Clean inside of coils using Landa's coil cleaner.
	AB	Improper burner nozzle	See combustion assembly breakdown.
	AB	Electrode is misaligned	Realign electrodes to specs.
	B	Fuel pressure is too high for clean burn (Fuel PSI above 140 but less than 200)	Reduce fuel PSI / increase air and band set for cleaner burn without max water heat loss.

### IMPORTANT

If the pressure washer demonstrates other symptoms or the corrective actions listed do not correct the problem, contact the local authorized Hotsy Service Center. The Hotsy Service Center can be identified by visiting [www.hotsy.com](http://www.hotsy.com).

**When ordering from your dealer, please provide the following:**

**Model Number:** \_\_\_\_\_

**Machine Serial Number:** \_\_\_\_\_

**Component Part Number:** \_\_\_\_\_

**Description:** \_\_\_\_\_



If you need **SERVICE** on your pressure washer, contact your local Hotsy dealer or visit [www.Hotsy.com](http://www.Hotsy.com). Smart phone users scan the code below to link directly to the Service Request page.



To **REGISTER** your pressure washer, please visit our Warranty Registration page at [www.hotsy.com/WarrantyRegistration.aspx](http://www.hotsy.com/WarrantyRegistration.aspx) or scan the code below with your smart phone.

