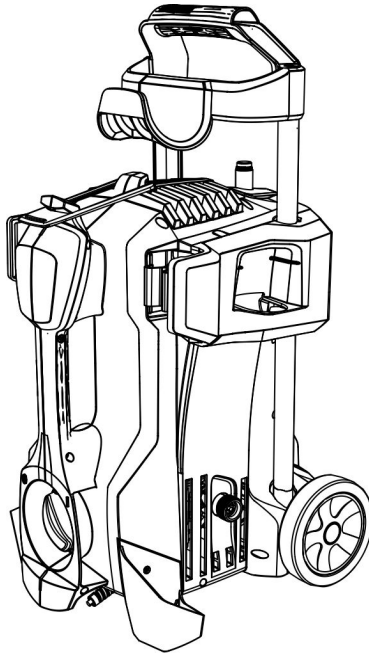


KÄRCHER

makes a difference

ProHD 400 Ed
ProHD 400
ProHD 600

| | |
|----------|----|
| English | 3 |
| Français | 14 |
| Español | 26 |



SHOP PRESSURE WASHER PARTS

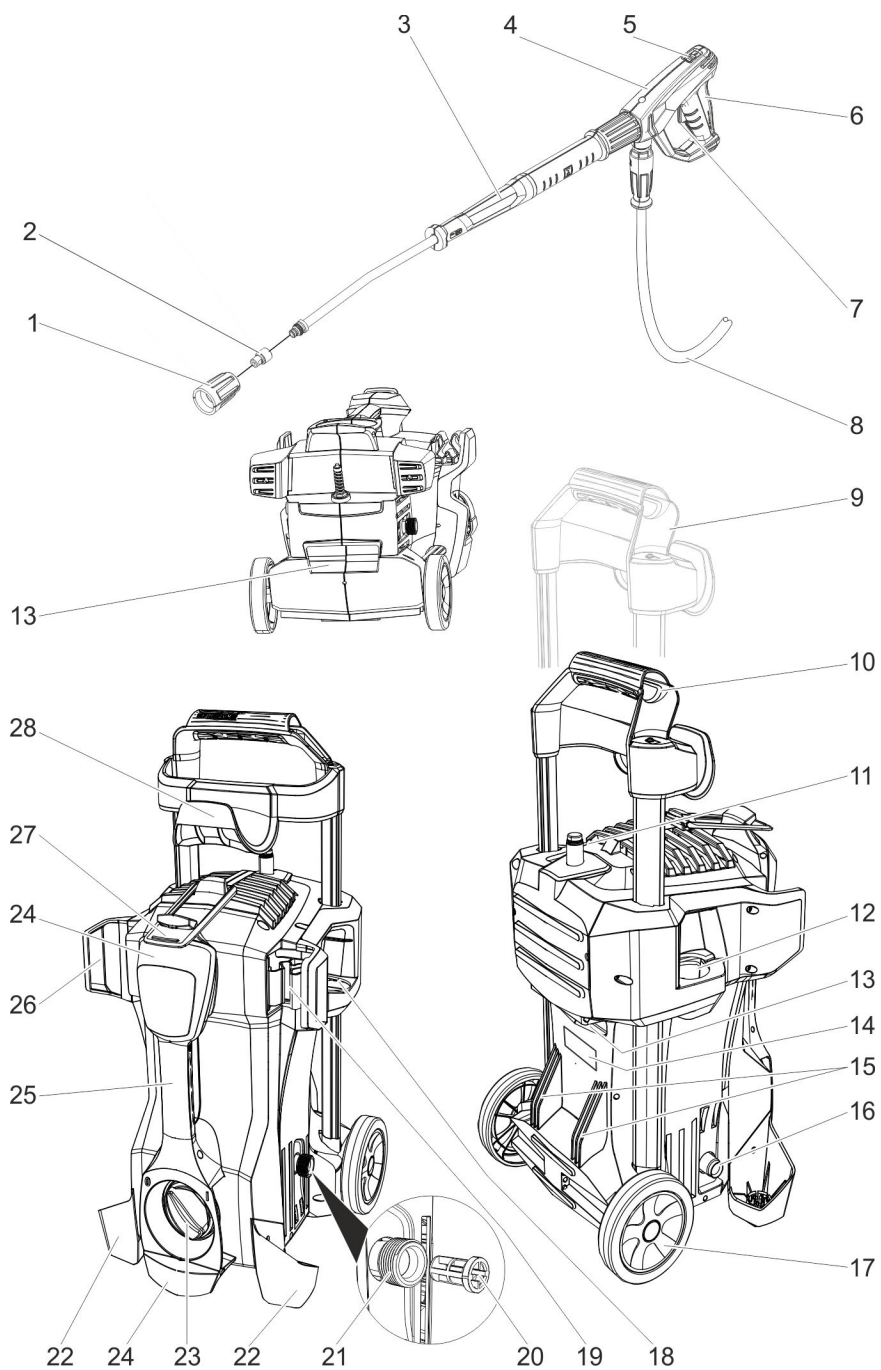
shoppressurewasherparts.com | 888.269.0172



59667800 12/16



Register and win!
www.kärcher.com/register-and-win



IMPORTANT SAFETY INSTRUCTIONS

⚠ WARNING

When using this product basic precautions should always be followed, including the following:

- 1 Read all the instructions before using the product.
- 2 High pressure jets can be dangerous if misused. The jet must not be directed at persons, animals, electrical devices, or the unit itself.
- 3 To reduce the risk of injury, close supervision is necessary when a product is used near children.
- 4 Know how to stop the product and bleed pressures quickly. Be thoroughly familiar with the controls.
- 5 Stay alert – watch what you are doing.
- 6 Wear safety goggles.
- 7 Do not use acids, alkaline, solvents, or any flammable material in this product. These products can cause physical injuries to the operator and irreversible damage to the machine.
- 8 Do not operate the product when fatigued or under the influence of alcohol or drugs.
- 9 Do not overreach or stand on unstable support. Keep good footing and balance at all times.
- 10 To reduce the risk of electrocution, keep all connections dry and off the ground. Do not touch plug with wet hands.
- 11 The Trigger Gun Safety Lock prevents the trigger from accidentally being engaged. This safety feature DOES NOT lock trigger in the ON position.
- 12 Keep operating area clear of all persons.
- 13 Close cover before operating the machine.
- 14 This appliance is intended for commercial use.
- 15 Follow the maintenance instructions specified in the manual.
- 16 This machine has been designed for use with cleaning chemicals supplied or recommended by the manufacturer. The use of other cleaning chemicals may affect the operation of the machine and void the warranty.
- 17 **ProHD 400 Ed only:** This product is provided with a Ground Fault Circuit Interrupter built into the power cord plug. If replacement of the plug or cord is needed, use only identical replacement parts.
- 18 **ProHD 400 Ed only:** Do not use extension cord with this product.
 - Injection hazard: equipment can cause serious injury if the spray penetrates the skin. Do not point the gun at anyone or any part of the body. In case of penetration seek medical aid immediately.
 - This system is capable of producing 1300 psi/9 MPa.
To avoid rupture and injury, do not operate this pump with components rated less than 1300 psi/9,0 MPa working pressure (including but not limited to spray guns, hose and hose connections).
 - Before servicing, cleaning, or removal of any part, shut off power and relieve pressure.
 - Do not spray electrical apparatus and wiring.
 - High Pressure. Keep clear of nozzle.

- If connection is made to a potable water system, the system shall be protected against backflow.

Owner/User Responsibility

- The owner and/or user must have an understanding of the manufacturer's operating instructions and warnings before using this pressure washer.
- Warning information should be emphasized and understood.
- If the operator is not fluent in English, the manufacturer's instructions and warnings shall be read to and discussed with the operator in the operator's native language by the purchaser/owner, making sure that the operator comprehends its contents.
- Owner and/or user must study and maintain for future reference the manufacturers' instructions.

GROUNDING INSTRUCTIONS

This product must be grounded. If it should malfunction or breakdown, grounding provides a path of least resistance for electric current to reduce the risk of electric shock. This product is equipped with a cord having an equipment-grounding conductor and a grounding plug. The plug must be plugged into an appropriate outlet that is properly installed and grounded in accordance with all local codes and ordinances.

⚠ DANGER

Improper connection of the equipment-grounding conductor can result in a risk of electrocution. Check with a qualified electrician or service personnel if you are in doubt as to whether the outlet is properly grounded. Do not modify the plug provided with the product - if it

will not fit the outlet, have a proper outlet installed by a qualified electrician. Do not use any type of adapter with this product.

CANADA

NOTE - In Canada, the use of a temporary adaptor is not permitted by the Canadian Electrical Code.

ProHD 400 Ed only: GROUND FAULT CIRCUIT INTERRUPTER PROTECTION

The ProHD 400 Ed is supplied with a Ground Fault Circuit Interrupter (GFCI) built into the power cord plug. This device provides additional protection from the risk of electric shock. If power is interrupted in the line, the GFCI will automatically re-close the circuit to the load after power is restored. Depending on the GFCI model, it may be necessary to manually operate the reset button to restore power to the GFCI load circuit. If replacement of the plug or cord is needed use identical replacement parts.

WATER SUPPLY

⚠ CAUTION

When connecting the water inlet to the water supply mains, local regulations of your water company must be observed. In some areas the unit must not be connected directly to the public drinking water supply. This is to ensure that there is no feedback of chemicals into the water supply. Direct connection via a receiver tank or backflow preventer, for example, is permitted. Dirt in the feed water will damage the unit. To avoid this risk, we recommend fitting a water filter.

- Garden hose must be at least 1/2 inch in diameter.

- Flow rate of water supply must not fall below 2.5 GPM (gallons per minute).
- Flow rate can be determined by running the water for one minute into an empty 2,5-gallon container.
- The water supply temperature must not exceed 140°F/60°C.
- Never use the pressure washer to draw in water contaminated with solvents, e.g. paint thinners, gaso-line, oil, etc.
- Always prevent debris from being drawn into the unit by using a clean water source. Use additional water filter.

**ProHD 400, ProHD 600 only:
EXTENSION CORDS**

Use only 3-wire extension cords that have 3-prong grounding-type plugs and 3-pole cord connectors that accept the plug from the product. Use only extension cords that are intended for outdoor use. These extension cords are identified by a marking "Acceptable for use with out-door appliances: store indoors while not in use." Use only extension cords having an electrical rating not less than the rating of the product. Do not use damaged extension cords. Examine extension cord before using and replace if damaged. Do not abuse extension cord and do not yank on any cord to disconnect. Keep cord away from heat and sharp edges. Always disconnect the extension cord from the receptacle before disconnecting the product from the extension cord.

Do not use extension cord with ProHD 400 Ed.

SAVE THESE INSTRUCTIONS!



Please read and comply with these original instructions prior to the initial operation of your appliance and store them for later use or subsequent owners.

Contents

| | | |
|--------------------------------|----|----|
| Device elements | EN | 3 |
| Safety instructions. | EN | 4 |
| Proper use | EN | 4 |
| Safety Devices | EN | 5 |
| Environmental protection . . | EN | 5 |
| Before Startup. | EN | 5 |
| Start up | EN | 6 |
| Operation | EN | 7 |
| Transport. | EN | 8 |
| Storage | EN | 9 |
| Care and maintenance | EN | 9 |
| Troubleshooting | EN | 9 |
| Accessories and Spare Parts | EN | 10 |
| Warranty | EN | 10 |
| Technical specifications . . . | EN | 11 |

Device elements

- Please unfold the front picture side
- 1 Nozzle screws
 - 2 Nozzle
 - 3 Spray lance EASY!Lock
 - 4 Trigger gun EASY!Force
 - 5 Safety catch
 - 6 Trigger
 - 7 Safety lever
 - 8 High pressure hose EASY!Lock
 - 9 Push handle, top (extended)
 - 10 Push handle, bottom (slid in)
 - 11 Holder for storage of a nozzle with screw connection or a surface cleaner**
 - 12 Nozzle rack for triple nozzle**
 - 13 Recessed grip
 - 14 Nameplate
 - 15 Skid
 - 16 High-pressure connection EASY!Lock
 - 17 Wheel

- 18 Nozzle rack for rotary nozzle (rotary nozzle is only included in the scope of delivery with variant ProHD...Plus)
 - 19 Spray lance holder with clamping, for transportation
 - 20 Sieve
 - 21 Water connection
 - 22 Quiver for spray lance
 - 23 Power switch
 - 24 Cable clamp
 - 25 Carrying handle
 - 26 Spray lance holder without clamping
 - 27 Rubber band
 - 28 Storage compartment for hoses
- ** not included in the scope of delivery

Colour coding

- The operating elements for the cleaning process are yellow.

Safety instructions

- Before first start-up it is definitely necessary to read the operating instructions and safety indications Nr. 5.951-949.0!
- Please follow the national rules and regulations for fluid spray jets of the respective country.
- Please follow the national rules and regulations for accident prevention of the respective country. Fluid spray jets must be tested regularly and the results of these tests must be documented in writing.
- The appliance/accessories must not be modified.

Hazard levels

⚠ **DANGER**

Pointer to immediate danger, which leads to severe injuries or death.

⚠ **WARNING**

Pointer to a possibly dangerous situation, which can lead to severe injuries or death.

⚠ **CAUTION**

Pointer to a possibly dangerous situation, which can lead to minor injuries.

ATTENTION

Pointer to a possibly dangerous situation, which can lead to property damage.

Symbols on the machine

High-pressure jets can be dangerous if improperly used.

The jet may not be directed at persons, animals, live electrical equipment or at the appliance itself.

According to applicable regulations, the appliance must never be used on the drinking

water net without a system separator. A suitable system separator by KÄRCHER or alternatively a system separator according to EN 12729 type BA must be used.

Water that was flowing through a system separator is considered non-drinkable.



Proper use

Use this high pressure cleaner exclusively for

- for cleaning with high-pressure jet (e.g. cleaning of facades, terraces, gardening tools).

With optional accessories detergent can be added.

For stubborn soiling we recommend the use of a rotor nozzle (only included in the scope of delivery with model HD...Plus)

Quality requirements for water:

ATTENTION

Only clean water may be used as high pressure medium. Impurities will lead to increased wear and tear or formation of deposits in the appliance.

If recycled water is used, the following limit values must not be exceeded.

| | |
|--|--|
| pH value | 6,5...9,5 |
| electrical conductivity * | Conductivity fresh water +1200 µS/cm |
| settleable solids ** | < 0,5 mg/l |
| total suspended solids *** | < 50 mg/l |
| Hydrocarbons | < 20 mg/l |
| Chloride | < 300 mg/l |
| Sulphate | < 240 mg/l |
| Calcium | < 200 mg/l |
| Total hardness | < 28 °dH < 50 °TH < 500 ppm (mg CaCO ₃ /l) |
| Iron | < 0,5 mg/l |
| Manganese | < 0,05 mg/l |
| Copper | < 2 mg/l |
| Active chloride | < 0,3 mg/l |
| free of bad odours | |
| * Maximum total 2000 µS/cm | |
| ** Test volume 1 l, settling time 30 min | |
| *** no abrasive substances | |

Safety Devices

Safety devices serve for the protection of the user and must not be put out of operation or bypassed with respect to their function.

Pressure switch

If the pulling lever on the trigger gun is released the pressure switch turns off the pump, the high-pressure jet is stopped. If the pulling lever is pulled the pump is turned on again.

Environmental protection



The packaging material can be recycled. Please do not throw the packaging material into household waste; please send it for recycling.



Old appliances contain valuable materials that can be recycled; these should be sent for recycling. Batteries, oil, and similar substances must not enter the environment. Please dispose of your old appliances using appropriate collection systems.

Electrical and electronic devices often contain components which could potentially pose a danger to human health and the environment if handled or disposed of incorrectly. However, these components are necessary for the proper operation of the device. Devices marked with this symbol must not be disposed of with regular household rubbish.

Notes about the ingredients (REACH)

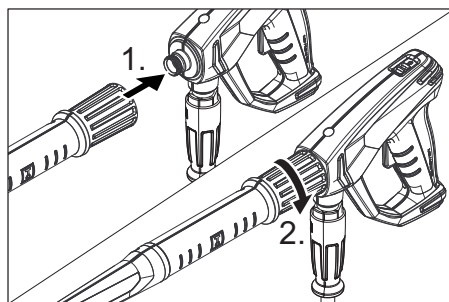
You will find current information about the ingredients at:

www.kaercher.com/REACH

Before Startup

Attaching the Accessories

Note: The EASY!Lock system joins components with a quick-fasten thread solidly and securely with just one turn.



- Insert the high pressure nozzle onto the spray lance.
- Install union nut and hand-tighten it (EASY!Lock).

- Join the spray lance with the trigger gun and tighten until hand-tight (EASY!Lock).
- Join the high-pressure hose with trigger gun and high-pressure connection of the appliance and tighten until hand-tight (EASY!Lock).

Start up

⚠ **WARNING**

Risk of injury! Appliance, accessories, supply lines and connections must be in fault-free condition. If they are not in a perfect state then the appliance must not be used.

Electrical connection

⚠ **DANGER**

Danger of injury by electric shock.

- *It is imperative to connect the appliance to the electric mains by means of a plug. It is forbidden to permanently connect the appliance to the power supply. The plug serves for the disconnection from the mains.*
- *Use an extension cable with protective earth conductor (protection class 1) and an adequate cross section (see "Technical data") und fully uncoil it from the cable drum.*

For connection values, see type plate/technical data.

- Unwind the mains cable and place it on the floor.
- Insert the mains plug into a socket.

Water connection

Connection to the water supply

⚠ **WARNING**

Observe regulations of water supplier. According to applicable regulations, the appliance must never be used on the drinking water net without a system separator. A suitable system separator by KÄRCHER or alternatively a system



separator according to EN 12729 type BA must be used.

Water that was flowing through a system separator is considered non-drinkable.

⚠ **CAUTION**

Always connect the system separator to the water supply, never directly to the appliance!

For connection values refer to technical specifications.

- Connect the supply hose (min. length 7.5 m, minimum diameter 1/2") to the water connection point of the machine and at the water supply point (for e.g. a tap).

Note:

The supply hose is not included.

- Open the water supply.

Drawing in water from open reservoirs

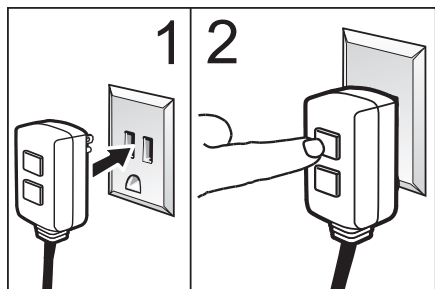
- Screw the suction hose with filter (optional accessory) to the water connection.
- Appliance ventilation:
Unscrew the nozzle from the spray lance.
Switch on the appliance and let it run until the water exiting is bubble-free.
Let the appliance run for 10 seconds – then switch off the appliance switch. Repeat the procedure several times.
- Switch off the appliance and fit the nozzle again.

ProHD 400 Ed only: GFCI INSTRUCTIONS

- **STEP 1:** Plug the Ground Fault Circuit Interrupter (GFCI) into a working outlet.

→ **STEP 2:** Press "TEST", then press "RESET" to assure proper connection to power.

Note: The actual appearance of the GFCI may be different from this illustration.



Operation

⚠ DANGER

Risk of explosion!

Do not spray flammable liquids.

If the appliance is used in hazardous areas (e.g. filling stations) the corresponding safety regulations must be observed.

Risk of injury! Hold the hand spray gun and the spray pipe firmly with both hands.

Risk of injury! The trigger and safety lever may not be locked during the operation.

Risk of injury! Contact Customer Service if the safety lever is damaged.

Risk of injury from high-pressure water jet. Slide the safety catch on the trigger gun forward before performing any work with the appliance.

⚠ CAUTION

Risk of injury. Do not operate the appliance variant with a carrying belt while carrying it.

Environmental damage. Clean motors at places with a corresponding oil separator only.

Opening/closing the trigger gun

→ To open the trigger gun: Actuate the safety lever and trigger.

→ To close the hand spray gun: Release the safety lever and trigger.

Operation

The appliance can be operated in the horizontal or upright position.

Note:

The appliance is equipped with a pressure switch. The motor starts up only when the trigger gun is open.

→ Set the appliance switch to "I".

→ Release the trigger gun. To do so, push the safety catch towards the back.

→ Open the hand spray gun.

Interrupting operation

→ Close the hand spray gun.

The appliance switches off.

→ Secure the trigger gun. To do so, push the safety catch towards the front.

After the interruption:

→ Release the trigger gun. To do so, push the safety catch towards the back.

→ Open the hand spray gun.
The appliance will switch on again.

Turn off the appliance

→ Shut off water supply.

→ Open the hand spray gun.

→ Switch on the pump with the power switch and allow to run for about 5-10 seconds.

→ Close the hand spray gun.

→ Set the appliance switch to "0/OFF".

→ Pull main plug out of socket with dry hands only.

→ Remove water connection.

- Activate hand spray gun until device is pressure less.
- Secure the trigger gun. To do so, push the safety catch towards the front.

Storing the Appliance

- Place the spray lance with the trigger gun into the quiver for the spray lance and snap it into place in the spray lance holder.
- Wind the connection cable around the cable holder.
- Fasten the plug with the mounted clip.
- Slide in push handle.
- Wind up the high-pressure hose and hang it over the hose storage.

Frost protection

ATTENTION

Frost will destroy the not completely water drained device.

Store the appliance in a frost free area.

If you cannot store it in a frost-free place:

- Drain water.
- Pump in conventional frost protection agents through the appliance.

Note:

Use normal glycol-based anti-freezing agents for automobiles.

Observe handling instructions of the anti-freeze agent manufacturer.

- Operate device for max. 1 minute until the pump and conduits are empty.

Transport

△ CAUTION

Risk of injury and damage! Observe the weight of the appliance when you transport it.

ATTENTION

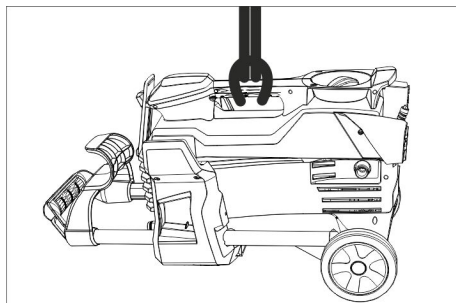
Protect the trigger from damage during transport.

- Hold the appliance at the carrying handle and the recessed grip for carrying it.
- When transporting in vehicles, secure the appliance according to the guidelines from slipping and tipping over.
- For transport over longer distances, pull out the push handle to the end position and drag the appliance behind you holding the push handle.
- In order to climb stairs, pull the appliance up step by step. The skids protect the casing from damage.

Holder for surface cleaner

- Attach the connecting piece of the surface cleaner to the holder on the high-pressure cleaner.
- Screw union nut.

Transport by crane



- Attach the lifting device to the carrying handle of the appliance.

Safety information about cranes

△ DANGER

Risk of injury due to machine dropping.

- Adhere to the local accident prevention guidelines and safety notes.
- Check the carrying handle for damage prior to every transportation by crane.
- Check the lifting unit for damage prior to each transport by crane.

- Only lift the appliance using the carrying handle.
- Do not use stop chains.
- Protect the lifting device from inadvertent load release.
- Remove spray lance with trigger gun, nozzles, surface cleaner and other loose objects prior to transportation by crane.
- Do not transport any articles on the appliance during the lifting process.
- The appliance must only be transported by properly trained crane personnel.
- Do not stand below the load.
- Ensure that no persons are present in the immediate vicinity of the crane.
- Do not leave the appliance on the crane unattended.

Storage

⚠ CAUTION

Risk of injury and damage! Note the weight of the appliance in case of storage.

This appliance must only be stored in interior rooms.

Care and maintenance

⚠ DANGER

Risk of injury by inadvertent startup of appliance and electrical shock.

First pull out the plug from the mains before carrying out any tasks on the machine.

Safety inspection/ maintenance contract

You can sign with your dealer a contract for regular safety inspection or even sign a maintenance contract. Please take advice on this matter.

Before each use

- Check connection cable for damages (risk of electrical shock); get the damaged connection cable replaced immediately by an authorised customer service person/ electrician.
- Check the high pressure hose for damages (risk of bursting). Please arrange for the immediate exchange of a damaged high-pressure hose.
- Check appliance (pump) for leaks. 3 drops per minute are permitted and can come out from the lower side of the appliance. Call Customer Service if there is heavy leakage.

Weekly

- Clean the sieve in the water connection.

Clean the sieve in the water connection

- Take out sieve.
- Clean the sieve from the outside and rinse it.
- Insert sieve.

Every 500 operating hours, at least annually

- Have the maintenance of the device performed by the customer service.

Troubleshooting

⚠ DANGER

Risk of injury by inadvertent startup of appliance and electrical shock.

- Prior to all work on the appliance, switch off the appliance and pull the power plug.
- Get the electrical components checked and repaired only by authorised customer service persons.

- *Contact an authorised customer service person in case of problems not mentioned in this chapter or if you are in doubt or when you have been explicitly asked to do so.*

Appliance is not running

- Check connection cable for damages.
- Check the supply voltage.
- If the appliance is overheated:
Set the appliance switch to "0".
Allow machine to cool down at least for 15 minutes.
Set the appliance switch to "1".
- Call Customer Service in case of electrical defects.

Pressure does not build up in the appliance

- Check the nozzle size, install correct nozzle.
- Deaerate the appliance (see "Start-up")
- Clean the sieve in the water connection.
- Check water supply level (refer to technical data).
- Clean the nozzle.
- Replace the nozzle.
- Contact Customer Service if needed.

Pump leaky

3 drops of water per minute are permitted and can leak from the bottom of the appliance.

- With stronger leak, have device checked by customer service.

Pump is vibrating

- Check the water suction pipe for leaks.
- Deaerate the appliance (see "Start-up")
- Contact Customer Service if needed.

Accessories and Spare Parts

Only use original accessories and spare parts, they ensure the safe and trouble-free operation of the device. For information about accessories and spare parts, please visit www.kaercher.com.

Warranty

The warranty terms published by the relevant sales company are applicable in each country. We will repair potential failures of your appliance within the warranty period free of charge, provided that such failure is caused by faulty material or defects in manufacturing. In the event of a warranty claim please contact your dealer or the nearest authorized Customer Service centre. Please submit the proof of purchase.

Technical specifications

| Type | | ProHD 400 Ed | ProHD 400 | ProHD 600 |
|---|------------------|-----------------|--------------|--------------|
| | | US | CA | CA |
| Main Supply | | | | |
| Voltage | V | 120 | | |
| Current type | Hz | 1~ 60 | | |
| Connected load | A | 12 | 11,5 | 12 |
| | kW (hp) | 1,4 (1,9) | 1,3 (1,7) | 1,4 (1,9) |
| Protection (slow, char. C) | A | 15 | | |
| Type of protection | | IPX5 | | |
| Water connection | | | | |
| Max. feed temperature | °F (°C) | 140 (60) | | |
| Min. feed volume | GPM (l/min) | 2,5 (9,5) | | |
| Suck height from open container (20 °C) | ft (m) | 1,6 (0,5) | | |
| Max. feed pressure | PSI (MPa) | 145 (1) | | |
| Performance data | | | | |
| Working pressure | PSI (kPa) | 1300 (9000) | 1200 (8300) | |
| Nozzle size | -- | 030 | | |
| Max. operating over-pressure | PSI (MPa) | 1885 (13) | | |
| Water flow rate | GPM (l/min) | 1,7 (6,4) | 1,55 (5,9) | 1,7 (6,4) |
| Max. recoil force of trigger gun | N | 14,76 | | |
| Values determined as per EN 60335-2-79 | | | | |
| Hand-arm vibration value | m/s ² | 2,1 | | |
| Uncertainty K | m/s ² | 0,7 | | |
| Sound pressure level L _{pA} | dB(A) | 69 | | |
| Uncertainty K _{pA} | dB(A) | 3 | | |
| Sound power level L _{WA} | dB(A) | 85 | | |
| Dimensions and weights | | | | |
| Length | mm | 351 | | |
| Width | mm | 312 | | |
| Height | mm | 904 | | |
| Typical operating weight | lbs (kg) | 45,2 (20,5) | | |

CONSIGNES DE SÉCURITÉ IMPORTANTES

△ AVERTISSEMENT

En utilisant ce produit, toujours observer une certaine prudence élémentaire, incluant notamment :

- 1 Lire toutes les instructions de service avant d'utiliser l'appareil.
- 2 En cas d'utilisation incorrecte, les jets haute pression peuvent être dangereux. Ne jamais diriger les jets de vapeur en direction d'individus, d'animaux, de dispositifs électriques ou de l'appareil lui-même.
- 3 Afin de minimiser les risques de blessure, ne jamais laisser l'appareil sans surveillance lorsque celui-ci est utilisé à proximité d'enfants.
- 4 Il est impératif de savoir arrêter et mettre l'appareil hors pression rapidement. Une connaissance approfondie des commandes est nécessaire.
- 5 Rester attentif – se concentrer sur la tâche en cours.
- 6 Le port de lunettes de protection est obligatoire.
- 7 N'utiliser en aucun cas d'acides, de solutions alcalines, de solvants ou de produits inflammables dans cet appareil. Ces produits peuvent être à l'origine de blessures graves ou d'endommagement irréversible de l'appareil.
- 8 L'utilisateur ne doit jamais faire usage de l'appareil lorsqu'il est fatigué ou sous l'emprise d'alcool ou de drogues.
- 9 Ne jamais passer ou monter sur des supports instables. Toujours rester stable et équilibré.
- 10 Afin de réduire le risque d'électrocution, garder toutes les connexions au sec et ne pas les laisser à terre. Ne pas toucher la fiche avec les mains mouillées.
- 11 Le dispositif de sécurité de la poignée-pistolet permet d'éviter tout actionnement accidentel de la gâchette. Ce dispositif de sécurité NE verrouille PAS la gâchette en position marche (ON).
- 12 Veiller à ce qu'aucun individu ne se trouve dans la zone de travail.
- 13 Fermer le couvercle avant d'utiliser la machine.
- 14 Cet appareil est prévu pour un usage commercial.
- 15 Respecter les consignes d'entretien figurant dans le manuel.
- 16 Cette machine a été conçue pour une utilisation avec des produits chimiques utilisés pour le nettoyage, fournis ou recommandés par le fabricant. L'utilisation d'autres produits chimiques pour le nettoyage peut influencer sur le fonctionnement de la machine et annuler la garantie.
- 17 **ProHD 400 Ed uniquement** : Ce produit est fourni avec un disjoncteur-détecteur de fuites à la terre intégré dans la fiche du cordon d'alimentation. Si la fiche ou le cordon doit être remplacé, n'utilisez que des pièces de rechange identiques.
- 18 **ProHD 400 Ed uniquement** : N'utilisez pas de rallonge avec ce produit.
 - Risque d'injection : le produit peut provoquer de graves blessures en cas de pénétration dans la peau. Ne pas diriger le canon vers quelqu'un ou vers une partie du corps. En cas de pénétration, consulter immédiatement un médecin.
 - Ce système est capable de produire 1300 psi/9 MPa.

Pour éviter une rupture ou une blessure, ne pas utiliser cette pompe avec des composants classés à une pression de service de 1300 psi/9,0 MPa (y compris notamment sur des pistolets de pulvérisation, des flexibles et des raccords de flexible).

- Avant d'effectuer l'entretien, le nettoyage ou le retrait de toute pièce, couper le courant et réduire la pression.
- Ne pas pulvériser sur des appareils ou des fils électriques.
- Haute pression. Maintenir sans tuyères.
- Si le branchement à un système d'eau potable est effectué, le système doit être protégé contre un retour de courant.

Responsabilité du propriétaire/ de l'utilisateur

- Avant d'utiliser ce nettoyeur pression, le propriétaire et/ou l'utilisateur doit impérativement avoir pris connaissance des consignes d'utilisation et mises en garde du fabricant.
- Il est nécessaire d'insister sur les avertissements et de les comprendre.
- Si l'utilisateur ne parle pas couramment l'anglais, l'acheteur/le propriétaire doit lire les consignes et mises en garde du fabricant avec l'utilisateur dans la langue maternelle de ce dernier et s'assurer qu'il en comprend bien le contenu.
- Le propriétaire et/ou l'utilisateur doit se familiariser avec les consignes du fabricant et les conserver afin de pouvoir s'y référer ultérieurement.

INSTRUCTIONS DE MISE À LA TERRE

Ce produit doit être mis à la terre. En cas de mauvais fonctionnement ou de panne, la mise à la terre établit un chemin de moindre résistance pour le courant électrique afin de réduire le risque de décharge électrique. Ce produit est équipé d'un cordon doté d'un conducteur de mise à la terre de l'équipement et d'une prise de mise à la terre. La prise doit être branchée dans une prise appropriée qui est correctement installée et mise à la terre en conformité avec les codes et ordonnances locaux.

⚠ DANGER

Un conducteur de mise à la terre d'équipement incorrectement branché peut entraîner un risque d'électrocution. Vérifier avec un électricien ou un technicien d'entretien qualifié en cas de doute sur la mise à terre correcte de la prise. Ne pas modifier la fiche fournie avec le produit - si elle ne peut pas être branchée, faire installer une prise appropriée par un électricien qualifié. Ne pas utiliser n'importe quel type d'adaptateur avec ce produit.

CANADA

NOTE - Au Canada, l'utilisation d'un adaptateur temporaire n'est pas autorisée par le Code canadien de l'électricité.

ProHD 400 Ed uniquement : PROTECTION DE DISJONCTEUR-DETECTEUR DE FUITES A LA TERRE

Le ProHD 400 Ed est fourni avec un disjoncteur-détecteur de fuites à la terre (DDFT) intégré dans la fiche du cordon d'alimentation. Ce dispositif offre une protection supplémentaire

contre le risque de choc électrique. Si l'alimentation est coupée dans la ligne, le DDFT va automatiquement refermer le circuit à la charge une fois l'alimentation rétablie. En fonction du modèle du DDFT, il peut être nécessaire d'actionner manuellement le bouton reset pour rétablir l'alimentation du circuit de charge DDFT. Si la fiche ou le cordon doit être remplacé, utilisez des pièces de rechange identiques.

ALIMENTATION EN EAU

△ ATTENTION

Lors de la connexion de l'entrée d'eau à la canalisation d'alimentation en eau, les régulations locales de votre compagnie d'eau doivent être observées.

Dans certaines zones, l'appareil ne doit pas être connecté directement à l'alimentation en eau potable publique. Il s'agit de s'assurer qu'il n'y a pas de retour de produits chimiques dans l'alimentation en eau. Une connexion directe par l'intermédiaire d'un réservoir de réception ou d'un disconnecteur hydraulique par exemple est autorisée. D'éventuelles impuretés dans l'eau d'alimentation endommagent l'appareil. Pour prévenir ce risque, nous recommandons d'installer un filtre à eau.

- Le tuyau d'arrosage doit avoir un diamètre minimum de 1/2 pouces.
- Le débit de l'alimentation en eau ne doit pas être inférieur à 2,5 GPM (gallons par minute).
- Le débit peut être déterminé en faisant couler l'eau pendant une minute dans un conteneur vide d'une contenance de 2,5 gallons.
- La température de l'eau d'alimentation ne doit pas excéder 140 °F / 60 °C.
- Ne jamais aspirer d'eau contaminée par des solvants, par exemple

des diluants pour peinture, de l'essence, de l'huile, etc..

- Toujours utiliser une source d'eau propre afin d'éviter toute infiltration de débris dans l'appareil. Utiliser un filtre à eau supplémentaire.

ProHD 400, ProHD 600 uniquement : RALLONGES

Utiliser uniquement des rallonges à 3 fils, dotées de fiches de terre à 3 fourches et de connecteurs tripolaires adaptés à la fiche du produit. Utiliser uniquement des rallonges prévues pour une utilisation extérieure. Ces rallonges sont repérables au marquage "Peut être utilisé avec des appareils électriques à l'extérieur : ranger à l'intérieur lorsque l'appareil n'est pas utilisé." Utiliser uniquement des rallonges ayant une puissance nominale qui n'est pas inférieure à celle du produit. Ne pas utiliser de rallonges endommagées. Examiner la rallonge avant de l'utiliser et la remplacer si elle est endommagée. Ne pas abîmer la rallonge et ne pas tirer brusquement sur un cordon pour le débrancher. Tenir le cordon éloigné des sources de chaleur et des bords pointus. Toujours débrancher la rallonge de la prise de courant avant de débrancher le produit de la rallonge.

N'utilisez pas de rallonge avec ProHD 400 Ed.

CONSERVER CES INSTRUCTIONS!


 Lire ce manuel d'utilisation original avant la première utilisation de votre appareil, le respecter et le conserver pour une utilisation ultérieure ou pour le futur propriétaire.

Table des matières

| | | |
|---|----|----|
| Éléments de l'appareil | FR | 4 |
| Consignes de sécurité | FR | 4 |
| Utilisation conforme | FR | 5 |
| Dispositifs de sécurité | FR | 6 |
| Protection de l'environnement | FR | 6 |
| Avant la mise en service . . | FR | 6 |
| Mise en service | FR | 6 |
| Utilisation | FR | 8 |
| Transport | FR | 9 |
| Entreposage | FR | 10 |
| Entretien et maintenance . . | FR | 10 |
| Assistance en cas de panne | FR | 11 |
| Accessoires et pièces de rechange | FR | 11 |
| Garantie | FR | 11 |
| Caractéristiques techniques | FR | 12 |

Éléments de l'appareil

Veuillez ouvrir la page d'image devant

- 1 Raccord vissé de buse
- 2 Buse
- 3 Tube d'acier EASY!Lock
- 4 Pistolet de pulvérisation à main EASY!Force
- 5 Cran de sécurité
- 6 Levier de départ
- 7 Manette de sécurité
- 8 Flexible haute pression EASY!Lock
- 9 Guidon, en haut (tiré)
- 10 Guidon, en bas (poussé)
- 11 Support de rangement d'une buse avec raccord à vis ou d'un nettoyeur de surface**
- 12 Récepteur de buse pour buse triple**
- 13 Trou de poignée
- 14 Plaque signalétique
- 15 Sabot rigide

- 16 Raccordement haute pression EASY!Lock
 - 17 Roue
 - 18 Récepteur de buse (rotabuse uniquement pour variante ProHD...Plus dans l'étendue de livraison)
 - 19 Support de la lance avec blocage, pour le transport
 - 20 Tamis
 - 21 Arrivée d'eau
 - 22 Étui de la lance
 - 23 Interrupteur principal
 - 24 Attache-câble
 - 25 Poignée de transport
 - 26 Support de la lance sans blocage
 - 27 Bande caoutchouc
 - 28 Dépose du flexible
- ** non compris dans l'étendue de livraison

Repérage de couleur

- Les éléments de commande pour le processus de nettoyage sont jaunes.

Consignes de sécurité

- Avant la première mise en service, vous devez impérativement avoir lu les consignes de sécurité N° 5.951-949.0 !
- Respecter les dispositions légales nationales respectives pour les jets de liquide.
- Respecter les dispositions légales nationales respectives pour la prévention des accidents. Les jets de liquides doivent être contrôlés régulièrement et le résultat du contrôle consigné par écrit.
- Il est interdit d'effectuer des modifications sur l'appareil/les accessoires.

Niveaux de danger

DANGER

Signale la présence d'un danger imminent entraînant de graves blessures corporelles et pouvant avoir une issue mortelle.

△ AVERTISSEMENT

Signale la présence d'une situation éventuellement dangereuse pouvant entraîner de graves blessures corporelles et même avoir une issue mortelle.

△ PRÉCAUTION

Remarque relative à une situation potentiellement dangereuse pouvant entraîner des blessures légères.

ATTENTION

Remarque relative à une situation éventuellement dangereuse pouvant entraîner des dommages matériels.

Des symboles sur l'appareil

Une utilisation incorrecte des jets haute pression peut présenter des dangers. Le jet ne doit pas être dirigé sur des personnes, des animaux, des installations électriques actives ni sur l'appareil lui-même.



Selon les directives en vigueur, l'appareil ne doit jamais être exploité sans séparateur de système sur le réseau d'eau potable. Utiliser un séparateur de système approprié de la société KÄRCHER ou en alternative un séparateur système selon EN 12729 type BA.



L'eau qui s'est écoulée à travers un séparateur système est classifiée comme non potable.

Utilisation conforme

Utiliser exclusivement ce nettoyeur haute pression

- pour un nettoyage avec le jet haute pression (par ex. nettoyage de façades, de terrasses, d'appareils de jardinage).

Avec l'accessoire en option, du détergent peut être mélangé.

Pour des salissures tenaces, nous recommandons une rotabuse (uniquement pour la variante HD...Plus dans l'étendue de livraison)

Exigences à la qualité d'eau :

ATTENTION

Utiliser uniquement de l'eau propre comme fluide haute pression. Des saletés entraînent une usure prématurée ou des dépôts dans l'appareil.

Si de l'eau de recyclage est utilisée, les valeurs limites suivantes ne doivent pas être dépassées.

| | |
|---|--|
| Valeur de pH | 6,5...9,5 |
| conductivité électrique * | Conductivité de l'eau du robinet +1200 µS/cm |
| substances qui se déposent ** | < 0,5 mg/l |
| substances qui peuvent être filtrées *** | < 50 mg/l |
| Hydrocarbures | < 20 mg/l |
| Chlorure | < 300 mg/l |
| Sulfate | < 240 mg/l |
| calcium | < 200 mg/l |
| Dureté globale | < 28 °dH < 50 °TH < 500 ppm (mg CaCO ₃ /l) |
| Fer | < 0,5 mg/l |
| Manganèse | < 0,05 mg/l |
| Cuivre | < 2 mg/l |
| Chlore actif | < 0,3 mg/l |
| exempt de mauvaises odeurs | |
| * Total maximal 2000 µS/cm | |
| ** Volume d'essai 1 l, temps de dépose 30 min | |
| *** pas de substance abrasive | |

Dispositifs de sécurité

Les dispositifs de sécurité ont pour but de protéger l'utilisateur. Par conséquent, ils ne doivent en aucun cas être désactivés ou transformés.

Pressostat

Si vous relâchez la gâchette du pistolet manuel, la pompe est coupée par un pressostat, le jet haute pression est arrêté. Si vous tirez sur la gâchette, la pompe est remise en service.

Protection de l'environnement



Les matériaux constitutifs de l'emballage sont recyclables. Ne pas jeter les emballages dans les ordures ménagères, mais les remettre à un système de recyclage.



Les appareils usés contiennent des matériaux précieux recyclables lesquels doivent être apportés à un système de recyclage. Il est interdit de jeter les batteries, l'huile et les substances similaires dans l'environnement. Pour cette raison, utiliser des systèmes de collecte adéquats afin d'éliminer les appareils hors d'usage.

Les appareils électriques et électroniques renferment souvent des composants qui peuvent représenter un danger potentiel pour l'intégrité physique et l'environnement s'ils sont mal utilisés ou éliminés. Ces composants sont pourtant nécessaires au bon fonctionnement de l'appareil. Les appareils qui présentent ce symbole ne doivent pas être jetés avec les déchets ménagers.

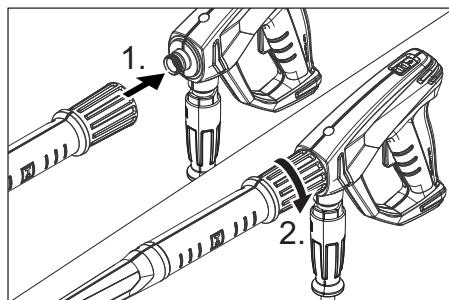
Instructions relatives aux ingrédients (REACH)

Les informations actuelles relatives aux ingrédients se trouvent sous : www.kaercher.com/REACH

Avant la mise en service

Montage des accessoires

Remarque : Le système EASY!Lock relie les composants au moyen d'un filetage rapide et fiable avec une seule rotation.



- Brancher la buse haute pression au tube d'acier.
- Monter l'écrou-raccord et le serrer à la main (EASY!Lock).
- Relier le tube d'acier au pistolet à main et serrer à la main (EASY!Lock).
- Relier le flexible haute pression au pistolet à main et au flexible haute pression de l'appareil et serrer à la main (EASY!Lock).

Mise en service

⚠ AVERTISSEMENT

Risque de blessure ! L'appareil, les accessoires, les conduites et les raccords doivent être dans un parfait état. Ne pas utiliser l'appareil si son état n'est pas irréprochable.

Branchement électrique

⚠ DANGER

Risque d'électrocution.

- L'appareil doit impérativement être raccordé au réseau électrique avec une fiche. Une connexion au secteur ne pouvant pas être coupée est interdite. La fiche électrique sert à la séparation du secteur.
- Utiliser un câble de rallonge avec conducteur thermique (classe de protection 1) et d'une section suffisante (cf. « Données techniques ») et dérouler entièrement l'enrouleur de câble.

Données de raccordement, voir plaque signalétique / caractéristiques techniques

- Dérouler le câble secteur et le poser sur le sol.
- Brancher la fiche secteur dans une prise de courant.

Arrivée d'eau

Raccordement à la conduite d'eau

⚠ AVERTISSEMENT

Respecter les prescriptions de votre société distributrice en eau.

Selon les directives en vigueur, l'appareil ne doit jamais être exploité sans séparateur de système sur le réseau d'eau potable. Utiliser un séparateur de système approprié de la société KÄRCHER ou en alternative un séparateur système selon EN 12729 type BA.

L'eau qui s'est écoulée à travers un séparateur système est classifiée comme non potable.

⚠ PRÉCAUTION

Toujours connecter le séparateur de système à l'alimentation en eau, et jamais directement à l'appareil.

Pour les valeurs de raccordement, se reporter à la section Caractéristiques techniques.

- Raccorder la conduite d'alimentation (longueur minimale 7,5 m, diamètre minimum 1/2") au raccord pour l'arrivée d'eau de l'appareil et à l'alimentation en eau (ex. un robinet).

Remarque :

La conduite d'alimentation n'est pas comprise dans la livraison.

- Ouvrir l'alimentation d'eau.

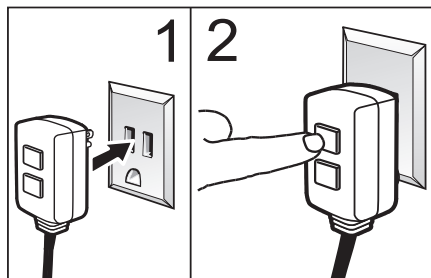
Aspiration d'eau depuis des réservoirs ouverts

- Visser le flexible d'aspiration avec le filtre (accessoire en option) sur le raccord d'alimentation en eau.
- Purger l'appareil :
Dévisser la buse de la lance en acier. Laisser l'appareil en route jusqu'à l'eau sorte sans faire de bulles. Faire tourner l'appareil éventuellement pendant 10 secondes - puis mettre hors service l'interrupteur principal. Répéter le processus à plusieurs reprises.
- Arrêter l'appareil et dévisser de nouveau l'injecteur.

ProHD 400 Ed uniquement : INSTRUCTIONS DDFT

- **ETAPE 1** : Brancher le disjoncteur différentiel dans une prise alimentée.
- **ETAPE 2** : Appuyer d'abord sur « TEST », puis sur « RESET » pour assurer le branchement correct au secteur.

Remarque : L'apparence effective du disjoncteur différentiel peut différer de l'illustration.



Utilisation

⚠ **DANGER**

Risque d'explosion !

Ne pas pulvériser de liquides inflammables.

Si l'appareil est utilisé dans des zones de danger (par exemple des stations essence), il faut tenir compte des consignes de sécurité correspondantes. Risque de blessure ! Pendant le travail, retenir la poignée pistolet et la lance des deux mains.

Risque de blessure ! Lors du fonctionnement, ne pas coincer le levier de départ et le levier de sécurité.

Risque de blessure ! En cas de levier de sécurité défectueux, se rendre au service après-vente.

Risque de blessure dû au jet d'eau sous haute pression. Pousser, avant tout travail sur l'appareil, le cran de sécurité du pistolet manuel vers l'avant.

⚠ **PRÉCAUTION**

Risque de blessure. Ne pas utiliser la version d'appareil avec sangle de transport pendant qu'il est porté.

Domages à l'environnement. Nettoyer les moteurs uniquement à des endroits équipés des séparateurs d'huile nécessaires.

Ouvrir/fermer le pistolet de pulvérisation à main

- Ouvrir le pistolet de pulvérisation à main : Actionner le levier de sécurité et le levier de départ.
- Fermer le pistolet de pulvérisation à main. Relâcher le levier de sécurité et le levier de départ.

Fonctionnement

L'appareil peut être utilisé en position horizontale ou verticale.

Remarque :

L'appareil est équipé d'un pressostat. Le moteur ne tourne que lorsque le pistolet manuel est ouvert.

- Régler l'interrupteur principal sur "I".
- Enlever la sécurité du pistolet de pulvérisation à main en poussant le loquet de sécurité vers l'arrière.
- Ouvrir le pistolet manuel.

Interrompre le fonctionnement

- Fermer la poignée-pistolet. L'appareil se coupe automatiquement.
- Sécuriser le pistolet de pulvérisation à main en poussant le loquet de sécurité vers l'avant.

Après une interruption :

- Enlever la sécurité du pistolet de pulvérisation à main en poussant le loquet de sécurité vers l'arrière.
- Ouvrir le pistolet manuel. L'appareil démarre de nouveau.

Mise hors service de l'appareil

- Couper l'alimentation en eau.
- Ouvrir le pistolet manuel.
- Activer la pompe à l'aide de l'interrupteur principal et laisser tourner 5 à 10 secondes.
- Fermer la poignée-pistolet.
- Positionner l'interrupteur sur '0/ OFF'.
- En veillant à avoir les mains bien sèches, débrancher la fiche secteur.
- Déconnecter l'arrivée d'eau.
- Actionner la poignée-pistolet jusqu'à ce que l'appareil soit hors pression.
- Sécuriser le pistolet de pulvérisation à main en poussant le loquet de sécurité vers l'avant.

Ranger l'appareil

- Mettre la lance avec la poignée pistolet dans l'étui de la lance et l'enclencher dans le support de la lance.

- Enrouler le câble d'alimentation autour de l'attache-câbles.
- Fixer la fiche électrique avec le clip monté.
- insérer le guidon.
- Enrouler le flexible haute pression et l'accrocher sur la dépose du flexible.

Protection antigel

ATTENTION

Le gel peut endommager l'appareil si l'eau n'a pas été intégralement vidée.
Conserver l'appareil dans un lieu à l'abri du gel.

Si un entreposage à l'abri du gel n'est pas possible :

- Purger l'eau.
- Pomper produit antigel d'usage par l'appareil.

Remarque :

utiliser un produit antigel courant pour automobile à base de glycol.
Respecter les consignes d'utilisation du fabricant du produit antigel.

- Faire tourner l'appareil au max. 1 minute jusqu'à ce que la pompe et les conduites soient entièrement vides.

Transport

⚠ PRÉCAUTION

Risque de blessure et d'endommagement ! Respecter le poids de l'appareil lors du transport.

ATTENTION

Protéger le levier de départ contre tout endommagement lors de son transport.

- Pour porter l'appareil, le tenir à la poignée de transport et à la poignée encastrée.
- Sécuriser l'appareil contre les glissements ou les basculements selon

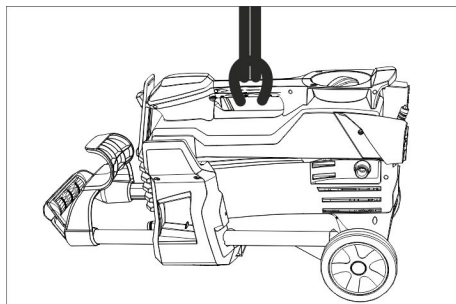
les directives en vigueur lors du transport dans des véhicules.

- Pour transporter l'appareil sur de plus longues distances, mettre le guidon en position finale et le tirer derrière soi au moyen du guidon.
- Tirer l'appareil vers le haut, marche par marche, pour monter un escalier. Les patins de glissement évitent au boîtier de s'endommager.

Support du nettoyeur de surface

- Enficher la tubulure de raccordement du nettoyeur de surface au mandrin sur le nettoyeur haute pression.
- Dévisser l'écrou-raccord.

Transport par grue



- Fixer le dispositif de levage sur la poignée de transport de l'appareil.

Consignes de sécurité relatives à l'utilisation de la grue

⚠ DANGER

Risque de blessure par la chute de l'appareil.

- Respecter les consignes locales de prévention des accidents et les consignes de sécurité.
- Avant chaque transport par grue, contrôler la présence éventuelle d'un endommagement sur la poignée de transport.

- Avant chaque transport par grue, contrôler la présence éventuelle d'un endommagement sur moyen de levage.
- Soulever l'appareil uniquement au niveau de la poignée de transport.
- Ne pas utiliser de chaîne d'élingue.
- Sécuriser le dispositif de levage contre un décrochage involontaire de la charge.
- Retirer la lance avec la poignée-pistolet, les buses, le nettoyeur de surface et les autres objets libres avant le transport par grue.
- Ne transporter aucun objet sur l'appareil pendant le processus de levage.
- Seules des personnes qui ont été instruites dans la commande de la grue sont habilitées à procéder au transport avec la grue.
- Ne pas séjourner sous la charge.
- Veiller que personne ne se trouve dans la zone dangereuse de la grue.
- Ne pas laisser l'appareil accroché à la grue sans surveillance.

Entreposage

△ PRÉCAUTION

Risque de blessure et d'endommagement ! Prendre en compte le poids de l'appareil à l'entreposage.

Cet appareil doit uniquement être entposé en intérieur.

Entretien et maintenance

△ DANGER

Risque de blessure et de choc électrique par un démarrage inopiné de l'appareil.

Avant d'effectuer tout type de travaux sur l'appareil, le mettre hors service et débrancher la fiche électrique.

Inspection de sécurité/Contrat d'entretien

Vous pouvez accorder avec votre commerçant une inspection de sécurité régulière ou passer un contrat d'entretien. Conseillez-vous.

Avant chaque mise en service

- Contrôler que le câble d'alimentation n'est pas endommagé (risque de choc électrique), faire remplacer immédiatement tout câble d'alimentation endommagé par un service après-vente autorisé/un électricien spécialisé.
- Vérifier le tuyau à haute pression s'il est endommagé (danger d'éclatement).
Un flexible haute pression endommagé doit immédiatement être remplacé.
- Vérifier l'étanchéité de l'appareil (pompe).
3 gouttes d'eau par minute sont admissibles et peuvent s'écouler au côté inférieure de l'appareil. En cas de non étanchéité plus forte, adressez-vous au Centre de Service Après-vente.

Hebdomadairement

- Nettoyer le tamis de l'arrivée d'eau.
- ### Nettoyer le tamis de l'arrivée d'eau
- Extraire le tamis.
 - Nettoyer extérieurement le tamis et le rincer.
 - Insérer le tamis.

Toutes les 500 heures de service, au moins une fois par an.

- Faire effectuer la maintenance de l'appareil par le service après-vente.

Assistance en cas de panne

⚠ DANGER

Risque de blessure et de choc électrique par un démarrage inopiné de l'appareil.

- Avant d'effectuer des travaux sur l'appareil, couper l'interrupteur principal et débrancher la fiche secteur.
- Seul le service après-vente autorisé est habilité à contrôler et réparer les composants électriques.
- S'il se produit des défauts qui ne sont pas répertoriés dans ce chapitre, en cas de doute ou si cela est explicitement indiqué, s'adresser à un service après-vente autorisé.

L'appareil ne fonctionne pas

- Contrôler que le câble de raccordement n'est pas endommagé.
- Contrôler la tension du secteur.
- Si l'appareil est en surchauffe :
Mettre l'interrupteur principal sur "0".
Laisser refroidir l'appareil au moins 15 minutes.
Mettre l'interrupteur de l'appareil sur « 0 ».
- En cas de défaut électrique, consulter le service après-vente.

L'appareil ne monte pas en pression

- Contrôler la taille de la buse, monter une buse correcte
- Purger l'air de l'appareil (voir "Mise en service").
- Nettoyer le tamis de l'arrivée d'eau.
- Contrôler le débit de l'alimentation en eau (voir la section Caractéristiques techniques).
- Nettoyer la buse.
- Substituer la busette.
- Si nécessaire, visiter le service après-vente.

La pompe fuit

3 gouttes d'eau par minute sont admissibles et peuvent s'écouler sur la partie inférieure de l'appareil.

- En cas de fuite plus importante, faire vérifier l'appareil par le service après-vente.

La pompe frappe

- Vérifier l'étanchéité de la conduite d'aspiration d'eau.
- Purger l'air de l'appareil (voir "Mise en service").
- Si nécessaire, visiter le service après-vente.

Accessoires et pièces de rechange

N'utiliser que des accessoires et pièces de rechange d'origine, ils garantissent le bon fonctionnement de l'appareil.

Vous trouverez des informations relatives aux accessoires et pièces de rechange sur www.kaercher.com.

Garantie

Dans chaque pays, les conditions de garantie en vigueur sont celles publiées par notre société de distribution responsable. Les éventuelles pannes sur l'appareil sont réparées gratuitement dans le délai de validité de la garantie, dans la mesure où celles-ci relèvent d'un défaut matériel ou d'un vice de fabrication. En cas de recours en garantie, adressez-vous à votre revendeur ou au service après-vente agréé le plus proche munis de votre preuve d'achat.

Caractéristiques techniques

| Type | | ProHD 400 Ed | ProHD 400 | ProHD 600 |
|---|------------------|-----------------|--------------|--------------|
| | | US | CA | CA |
| Raccordement au secteur | | | | |
| Tension | V | 120 | | |
| Type de courant | Hz | 1~ 60 | | |
| Puissance de raccordement | A | 12 | 11,5 | 12 |
| | kW (hp) | 1,4 (1,9) | 1,3 (1,7) | 1,4 (1,9) |
| Protection (à action retardée, carat. C) | A | 15 | | |
| Type de protection | | IPX5 | | |
| Arrivée d'eau | | | | |
| Température d'alimentation (max.) | °F (°C) | 140 (60) | | |
| Débit d'alimentation (min.) | GPM (l/min) | 2,5 (9,5) | | |
| Hauteur d'aspiration à partir du réservoir ouvert (20 °C) | ft (m) | 1,6 (0,5) | | |
| Pression d'alimentation (max.) | PSI (MPa) | 145 (1) | | |
| Performances | | | | |
| Pression de service | PSI (kPa) | 1300 (9000) | 1200 (8300) | |
| Taille d'injecteur | -- | 030 | | |
| Pression de service max. | PSI (MPa) | 1885 (13) | | |
| Débit (eau) | GPM (l/min) | 1,7 (6,4) | 1,55 (5,9) | 1,7 (6,4) |
| Force de réaction max. de la poignée-pistolet | N | 14,76 | | |
| Valeurs déterminées selon EN 60335-2-79 | | | | |
| Valeur de vibrations bras-main | m/s ² | 2,1 | | |
| Incertitude K | m/s ² | 0,7 | | |
| Niveau de pression acoustique L _{pA} | dB(A) | 69 | | |
| Incertitude K _{pA} | dB(A) | 3 | | |
| Niveau de puissance acoustique L _{WA} | dB(A) | 85 | | |
| Dimensions et poids | | | | |
| Longueur | mm | 351 | | |
| Largeur | mm | 312 | | |
| Hauteur | mm | 904 | | |
| Poids de fonctionnement typique | lbs (kg) | 45,2 (20,5) | | |

INSTRUCCIONES IMPORTANTES DE SEGURIDAD

△ **ADVERTENCIA**

Al utilizar este producto, tome siempre las precauciones básicas, incluidas las siguientes:

- 1 Lea todas las instrucciones antes de usar el producto.
- 2 Los aparatos a alta presión pueden resultar peligrosos si se usan de forma incorrecta. No se debe dirigir el aparato a personas, animales, dispositivos eléctricos o la equipo mismo.
- 3 Para reducir el riesgo de lesiones, es preciso vigilar atentamente si se usa el producto cerca de niños.
- 4 Es necesario saber cómo parar rápidamente el producto y parar hemorragias. Estar familiarizado con los mandos.
- 5 Estar atento, prestar atención a lo que se está haciendo.
- 6 Utilizar gafas de seguridad.
- 7 No usar ácidos, alcalinos, disolventes, o cualquier material inflamable con este producto. Estos productos pueden causar heridas físicas al operario y daños irreparables a la máquina.
- 8 No ponga en funcionamiento el producto si está cansado o está bajo la influencia de alcohol o drogas.
- 9 No sobrecargar o colocar sobre un soporte inestable. Mantener el equilibrio en todo momento.
- 10 Para reducir el riesgo de electrocución, mantenga todas las conexiones secas y alejadas del suelo. No toque el enchufe con las manos mojadas.
- 11 El seguro del gatillo de la pistola evita que el gatillo salte de forma involuntaria. El dispositivo de seguridad NO bloquea el gatillo en la posición ON (encendido).
- 12 Mantenga la zona de trabajo libre de personas.
- 13 Cierre la cubierta antes de operar con la máquina.
- 14 Este aparato está diseñado para uso comercial.
- 15 Seguir las instrucciones de mantenimiento especificadas en el manual.
- 16 Esta máquina ha sido diseñada para su uso con los agentes químicos de limpieza provistos o recomendados por el fabricante. El uso de otros agentes químicos de limpieza puede afectar al funcionamiento de la máquina y extinguir la garantía.
- 17 **Solo ProHD 400 Ed:** Este producto se suministra con un interruptor del circuito de fallos de conexión a tierra instalado en la clavija del cable de alimentación. En caso de que sea necesario sustituir la clavija o el cable, utilice únicamente piezas de repuesto idénticas.
- 18 **Solo ProHD 400 Ed:** No utilice un cable de prolongación con este producto.
 - Riesgo de inyección: el equipo puede causar graves lesiones si el spray penetra en la piel. No dirija la pistola hacia nadie ni a ninguna parte del cuerpo. En caso de penetración, busque ayuda médica de inmediato.
 - Este sistema es capaz de producir 1300 psi/9 MPa.
Para evitar roturas y lesiones, no operar esta bomba con componentes con una calificación inferior a 1300 psi/9,0 MPa de presión de trabajo (incluidas, pero no limitadas)

a, pistolas pulverizadoras, manguera y conexiones de mangueras).

- Antes de usar, limpiar o quitar cualquier pieza, desconecte el fluido eléctrico y libere presión.
- No pulverice sobre ningún aparato o cable eléctrico.
- Alta presión. Manténgase lejos de la boquilla.
- Si la conexión se hace con un sistema de agua potable, se debe proteger el sistema contra reflujos.

Responsabilidades del propietario/usuario

- El propietario y/o el usuario deben comprender bien las instrucciones de servicio y advertencias del fabricante antes de empezar a utilizar este limpiador de alta presión.
- Debe prestarse especial atención y tener muy claras las advertencias.
- Si el operador no habla bien el español, el propietario/comprador debe responsabilizarse de leer y comentar las instrucciones y las advertencias en su lengua natal, y asegurarse de que entienda a la perfección su contenido.
- El propietario y/o el usuario deben leer y guardar como referencia para el futuro las instrucciones del fabricante.

INSTRUCCIONES DE PUESTA A TIERRA

Este producto se tiene que poner a tierra. Si funcionase mal o si se rompiese, la puesta a tierra proporcionaría una circuito menos resistente a la energía eléctrica para reducir el riesgo de electrochoque. Este producto está equipado con un cable que tiene un conductor a tierra y un enchufe a tierra para el equipo. El enchufe se tiene que enchufar a un tomacorriente adecua-

do, que esté correctamente instalado y puesto a tierra conforme a todas las normas y reglamentos locales.

⚠ PELIGRO

Si la conexión del conductor a tierra del equipo es incorrecta puede existir riesgo de electrochoque. En caso de duda, compruebe con ayuda de un electricista cualificado o del personal del servicio técnico que el tomacorriente está correctamente puesto a tierra. No modifique el enchufe proporcionado con el producto; si no encaja en el tomacorriente, pida a un electricista cualificado que le instale un tomacorriente adecuado. No utilice ningún tipo de adaptador con este producto.

CANADA

NOTA: en Canadá el Canadian Electrical Code [Código Eléctrico Canadiense] no autoriza el uso de un adaptador temporal.

Solo ProHD 400 Ed: PROTECCIÓN MEDIANTE INTERRUPTOR DEL CIRCUITO DE FALLOS DE CONEXIÓN A TIERRA

El ProHD 400 se suministra con un interruptor del circuito de fallos de conexión a tierra (GFCI) instalado en la clavija del cable de alimentación. Este dispositivo proporciona una protección adicional frente al riesgo de descarga eléctrica. Si se interrumpe la alimentación en la línea, el GFCI vuelve a cerrar automáticamente el circuito a la carga hasta que se restablezca el suministro de energía. Dependiendo del modelo de GFCI, puede que sea necesario operar manualmente el botón reset para restaurar la alimentación en el circuito de carga del GFCI. En caso de que sea necesario sustituir la clavija o el cable, utilice piezas de repuesto idénticas.

SUMINISTRO DE AGUA

⚠ ATENCIÓN

Al conectar la toma de agua a la red de suministro del agua, es obligatorio respetar la normativa local establecida por la compañía del agua. En algunas zonas, está prohibido conectar la unidad directamente a la red pública de suministro de agua potable. Esto es así para garantizar que no penetren sustancias químicas en la red de suministro del agua. Sí se permite efectuar la conexión directamente por ejemplo a través de un depósito receptor o un dispositivo antirretorno.

Si el agua de alimentación está sucia, la unidad sufrirá daños. Para evitar este riesgo, le recomendamos que monte un filtro de agua.

- La manguera del jardín debe tener al menos un diámetro de 1/2 pulgadas.
- El índice de flujo de agua no deben ser inferior a 2.5 GPM (galones por minuto).
- El índice de flujo se puede determinar si se deja correr el agua durante un minuto en un bidón de 2,5 galones.
- La temperatura de agua no debe exceder los 140°F/60°C.
- No usar la limpiadora de alta presión para agua contaminada con disolventes, por ejemplo para diluir pintura, gasolina, aceite etc.
- Evitar que entren escombros en la unidad, para ello use una fuente de agua limpia. Use un filtro adicional de agua.

Solo ProHD 400, ProHD 600: CABLES DE PROLONGACIÓN

Use sólo cables prolongadores de 3 hilos que dispongan de clavijas de 3 puntas, del tipo puesta a tierra, y conectores de 3 polos que acepten la toma del producto. Use sólo cables prolongadores diseñados para uso en exteriores. Estos cables prolongadores están identificados por la leyenda "Apto para su uso con aparatos de exterior: guárdelos bajo techo siempre que no los use". Use sólo cables prolongadores que tengan una clasificación eléctrica igual o superior a la clasificación del producto. No use cables prolongadores dañados. Examine el cable prolongador antes de usarlo y, si está dañado, reemplácelo. No haga un mal uso del cable prolongador y no tire del cable para desconectarlo. Mantenga el cable alejado de fuentes de calor y de bordes cortantes. Desconecte siempre el cable prolongador de la caja antes de desconectar el producto del cable prolongador.

No utilice un cable de prolongación con el ProHD 400 Ed.

CONSERVE ESTAS INSTRUCCIONES!



Antes del primer uso de su aparato, lea este manual original, actúe de acuerdo a sus indicaciones y guárdelo para un uso posterior o para otro propietario posterior.

Índice de contenidos

| | | |
|--|----|----|
| Elementos del aparato | ES | 4 |
| Indicaciones de seguridad . | ES | 4 |
| Uso previsto | ES | 5 |
| Dispositivos de seguridad . | ES | 6 |
| Protección del medio ambiente | ES | 6 |
| Antes de la puesta en marcha | ES | 6 |
| Puesta en marcha | ES | 6 |
| Manejo | ES | 8 |
| Transporte | ES | 9 |
| Almacenamiento | ES | 10 |
| Cuidados y mantenimiento. | ES | 10 |
| Ayuda en caso de avería . . | ES | 11 |
| Accesorios y piezas de re- puesto | ES | 11 |
| Garantía | ES | 11 |
| Datos técnicos | ES | 12 |

Elementos del aparato

- Desplegar las páginas delanteras
- 1 Acople roscado para boquilla
- 2 boquilla
- 3 Tubo pulverizador EASY!Lock
- 4 Pistola pulverizadora EASY!Force
- 5 Muesca de seguridad
- 6 Palanca de disparo
- 7 Palanca de seguro
- 8 Manguera de alta presión EASY!Lock
- 9 Estribo de empuje, arriba (sacado)
- 10 Estribo de empuje, abajo (metido)
- 11 Soporte para guardar una boquilla con rosca o limpiador de superficies**
- 12 Soporte para boquilla triple**
- 13 Mango empotrado
- 14 Placa de características
- 15 Patín de aterrizaje

- 16 Conexión de alta presión EASY!Lock
 - 17 Rueda
 - 18 Soporte para boquillas giratorias (boquilla giratoria solo para la variante ProHD...Plus suministrada)
 - 19 Soporte de la lanza dosificadora con sujeción para el transporte
 - 20 Criba
 - 21 Conexión de agua
 - 22 Portalanza dosificadora
 - 23 Interruptor del aparato
 - 24 Portacables
 - 25 Asa de transporte
 - 26 Soporte de lanza dosificadora sin fijación
 - 27 Cinta de goma
 - 28 Soporte para manguera
- ** no incluido en el volumen de suministro

Identificación por colores

- Los elementos de control para el proceso de limpieza son amarillos.

Indicaciones de seguridad

- ¡Antes de la primera puesta en marcha lea sin falta las instrucciones de uso y las instrucciones de seguridad n.º 5.951-949.0!
- Respetar las normativas vigentes nacionales correspondientes para eyectores de líquidos.
- Respetar las normativas vigentes nacionales correspondientes de prevención de accidentes. Los eyectores de líquidos deben ser examinados regularmente y tiene que guardarse una copia escrita de la revisión.
- No se debe efectuar ningún tipo de modificación en el aparato/accesorios.

Niveles de peligro

⚠ PELIGRO

Aviso sobre un riesgo de peligro inmediato que puede provocar lesiones corporales graves o la muerte.

⚠ ADVERTENCIA

Aviso sobre una situación probablemente peligrosa que puede provocar lesiones corporales graves o la muerte.

⚠ PRECAUCIÓN

Indicación sobre una situación que puede ser peligrosa, que puede acarrear lesiones leves.

⚠ CUIDADO

Aviso sobre una situación probablemente peligrosa que puede provocar daños materiales.

Símbolos en el aparato

Los chorros a alta presión pueden ser peligrosos si se usan indebidamente. No dirija el chorro hacia personas, animales o equipamiento eléctrico activo, ni apunte con él al propio aparato.



De acuerdo con las normativas vigentes, está prohibido utilizar el aparato sin un separador de sistema en la red de agua potable. Se debe utilizar un separador de sistema apropiado de la empresa KÄRCHER, alternativamente, un separador de sistema que cumpla la norma EN 12729 tipo BA.



El agua que haya pasado por un separador del sistema será catalogada como no potable.

Uso previsto

Utilizar exclusivamente esta limpiadora a presión

- para limpiar con el chorro a alta presión (p. ej. limpieza de fachadas, terrazas, herramientas de jardinería).

Con accesorios opcionales, se puede mezclar detergente.

Para suciedades resistentes recomendamos usar una boquilla giratoria (solo suministrada para la variante HD...Plus)

Requisitos para la calidad del agua:

CUIDADO

Sólo se puede utilizar agua limpia como medio de alta presión. La suciedad provoca desgaste prematuro o sedimentos en el aparato.

Si se utiliza agua reciclada, no se pueden superar los siguientes límites.

| | |
|--|--|
| Valor pH | 6,5...9,5 |
| Conductividad eléctrica * | Conductividad agua fresca +1200 µS/cm |
| sustancias que se pueden depositar ** | < 0,5 mg/l |
| Sustancias que se pueden filtrar *** | < 50 mg/l |
| Hidrocarburos | < 20 mg/l |
| Cloruro | < 300 mg/l |
| Sulfato | < 240 mg/l |
| Calcio | < 200 mg/l |
| Dureza total | < 28 °dH < 50 °TH < 500 ppm (mg CaCO ₃ /l) |
| Hierro | < 0,5 mg/l |
| Manganeso | < 0,05 mg/l |
| Cobre | < 2 mg/l |
| Cloro activo | < 0,3 mg/l |
| sin olores desagradables | |
| * Máximo total 2000 µS/cm | |
| ** Volumen de prueba 1 l, tiempo de sedimentación 30 min | |
| *** sin sustancias abrasivas | |



Dispositivos de seguridad

La función de los dispositivos de seguridad es proteger al usuario y está prohibido ponerlos fuera de servicio y modificar o ignorar su funcionamiento.

Presóstat

Cuando se suelta la palanca de disparo de la pistola pulverizadora, un interruptor de presión desconecta la bomba y el chorro de alta presión se para. Cuando se acciona la palanca de disparo, se conecta la bomba nuevamente.

Protección del medio ambiente

| | |
|--|---|
|  | Los materiales empleados para el embalaje son reciclables y recuperables. No tire el embalaje a la basura doméstica y entréguelo en los puntos oficiales de recogida para su reciclaje o recuperación. |
|  | Los aparatos viejos contienen materiales valiosos reciclables que deberían ser entregados para su aprovechamiento posterior. Evite el contacto de baterías, aceites y materias semejantes con el medio ambiente. Por este motivo, entregue los aparatos usados en los puntos de recogida previstos para su reciclaje. |

Los equipos eléctricos y electrónicos contienen a menudo componentes que pueden representar un peligro potencial para la salud de las personas y para el medio ambiente en caso de que se manipulen o se eliminen de forma errónea. Estos componentes son necesarios para el correcto funciona-

miento del equipo. Los equipos marcados con este símbolo no pueden eliminarse con la basura doméstica.

Indicaciones sobre ingredientes (REACH)

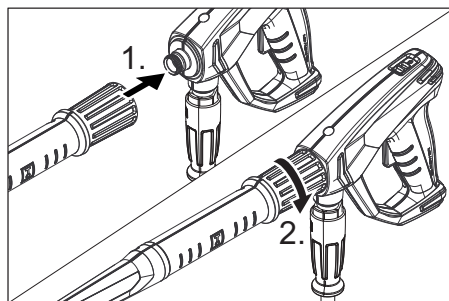
Encontrará información actual sobre los ingredientes en:

www.kaercher.com/REACH

Antes de la puesta en marcha

Montaje de los accesorios

Aviso: El sistema EASY!Lock conecta componentes de forma rápida y segura mediante una rosca rápida con tan solo una vuelta.



- Conectar la boquilla de alta presión sobre el tubo pulverizador.
- Montar la tuerca de racor y apretarla con la mano (EASY!Lock).
- Conectar el tubo pulverizador con la pistola pulverizadora y apretar a mano (EASY!Lock).
- Conectar la manguera de alta presión con la pistola pulverizadora y la conexión de alta presión del aparato y apretar a mano (EASY!Lock).

Puesta en marcha

⚠ ADVERTENCIA

¡Riesgo de lesiones! El aparato, los accesorios, los tubos de alimentación y las conexiones deben estar en perfecto estado. Si no están en perfecto estado, no deben utilizarse.

Conexión eléctrica

⚠ PELIGRO

Peligro de lesiones por descarga eléctrica.

- *Es imprescindible que el aparato esté conectado con un enchufe a la red eléctrica. Está prohibido establecer una conexión no separable con la red eléctrica. El enchufe sirve para poder desconectarse de la red.*
- *Utilizar un alargador con conductor de protección (clase de protección 1) y suficiente corte transversal (véase "Datos técnicos") y enrollar desde la parte delantera del tambor del cable.*

Valores de conexión: véase la placa de características/datos técnicos.

- ➔ Desenrollar el cable de red y colocarlo en el suelo.
- ➔ Enchufar la clavija de red a una toma de corriente.

Conexión de agua

Conexión a la toma de agua

⚠ ADVERTENCIA

Tenga en cuenta las normas de la empresa suministradora de agua.

De acuerdo con las normativas vigentes, está prohibido utilizar el aparato sin un separador de sistema en la red de agua potable. Se debe utilizar un separador de sistema apropiado de la empresa KÄRCHER, alternativamente, un separador de sistema que cumpla la norma EN 12729 tipo BA. El agua que haya pasado por un separador del sistema será catalogada como no potable.

⚠ PRECAUCIÓN

Conectar el separador de sistema siempre a la alimentación de agua, nunca directamente al equipo.

Valores de conexión, ver datos técnicos.

- ➔ Conectar la tubería de abastecimiento (largo mín. 7,5 m, diámetro

mín. 1/2") a la conexión de agua del aparato y a la alimentación de agua (por ejemplo al grifo).

Indicación:

La tubería de abastecimiento de agua no está incluida en el volumen de suministro.

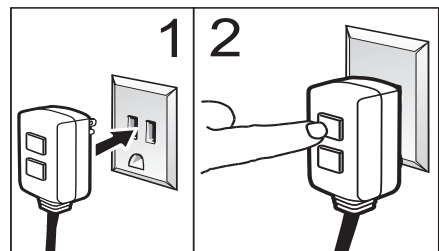
- ➔ Abrir el suministro de agua.

Aspiración del agua de depósitos abiertos

- ➔ Atornillar la manguera de aspiración con filtro (accesorio opcional) a la toma de agua.
- ➔ Purgar el aparato:
Desenroscar la boquilla de la lanza dosificadora.
Dejar funcionar el aparato hasta que salga el agua sin burbujas.
Si es necesario, dejar funcionar el aparato 10 segundos y apagar el interruptor del aparato. Repetir el proceso varias veces.
- ➔ Desconecte el aparato y vuelva a atornillar la boquilla.

Solo ProHD 400 Ed: INSTRUCCIONES GFCI

- ➔ **PASO 1:** Enchufe el interruptor de circuito de avería por puesta a tierra a un tomacorriente de servicio.
- ➔ **PASO 2:** Presione "TEST" (PRUEBA) y, después, presione "RESET" (REINICIO) para asegurarse de que la conexión a la toma de energía eléctrica es correcta.
Nota: El aspecto actual del interruptor de circuito de avería por puesta a tierra puede ser distinto al de la ilustración.



Manejo

⚠ PELIGRO

Peligro de explosiones

No pulverizar líquidos combustibles.

Si se usa el equipo en zonas de riesgo (p.ej. gasolineras) se deben respetar las reglamentaciones de seguridad correspondientes.

¡Riesgo de lesiones! Durante el trabajo sujete con firmeza con las dos manos la pistola pulverizadora y el tubo pulverizador.

¡Riesgo de lesiones! Durante el funcionamiento, la palanca de disparo y la palanca de fijación no deben estar bloqueadas.

¡Riesgo de lesiones! Si la palanca de fijación está dañada, llamar al servicio técnico.

Peligro de lesiones por chorro de agua de alta presión. Antes de llevar a cabo trabajos en el equipo, empujar el seguro de la pistola pulverizadora hacia delante.

⚠ PRECAUCIÓN

Peligro de lesiones. No operar la variante de aparato con cinturón de transporte mientras se esté transportando.

Daños medioambientales. Limpiar los motores solo en las zonas con el separador de aceite correspondiente.

Abrir/cerrar la pistola pulverizadora

- ➔ Abrir la pistola pulverizadora: Accionar la palanca de fijación y la palanca de disparo.
- ➔ Cerrar la pistola de pulverización: Soltar la palanca de fijación y la palanca de disparo.

Funcionamiento

Se puede manejar el equipo en posición horizontal o vertical.

Indicación:

El equipo está equipado con un interruptor de presión. El motor sólo funciona cuando la pistola pulverizadora está abierta.

- ➔ Colocar el interruptor principal en la posición "I".
- ➔ Quitar el seguro de la pistola pulverizadora empujando la palanca de fijación hacia atrás.
- ➔ Abrir la pistola pulverizadora manual.

Interrupción del funcionamiento

- ➔ Cerrar la pistola de pulverización manual.
El aparato se desconecta.
- ➔ Asegurar la pistola pulverizadora empujando la palanca de fijación hacia delante.

Tras la interrupción:

- ➔ Quitar el seguro de la pistola pulverizadora empujando la palanca de fijación hacia atrás.
- ➔ Abrir la pistola pulverizadora manual.
El aparato se conecta de nuevo.

Desconexión del aparato

- ➔ Cerrar el abastecimiento de agua.
- ➔ Abrir la pistola pulverizadora manual.
- ➔ Conectar la bomba con el interruptor de equipo y dejar en marcha 5-10 segundos.
- ➔ Cerrar la pistola de pulverización manual.
- ➔ Ponga el interruptor del aparato en "0/OFF".
- ➔ Sacar el enchufe de la toma de corriente sólo con las manos secas.
- ➔ Retirar la conexión de agua.
- ➔ Poner en funcionamiento la pistola pulverizadora manual hasta que no quede presión en el aparato.

- Asegurar la pistola pulverizadora empujando la palanca de fijación hacia delante.

Almacenamiento del aparato

- Configurar la lanza dosificadora con la pistola pulverizadora manual en el portalanza dosificadora y encajar en su soporte.
- Enrollar el cable de conexión alrededor del soporte de cable.
- Fijar el enchufe con el clip montado.
- Plegar el estribo de empuje.
- Enrollar la manguera de alta presión y colgar sobre el soporte de manguera.

Protección antiheladas

CUIDADO

El hielo deteriora el aparato si éste no se ha vaciado por completo de agua. Coloque el aparato en un lugar a salvo de las heladas.

Si no es posible el almacenamiento libre de heladas:

- Dejar salir agua.
- Bombee anticongelante de los habituales en el mercado en el aparato.

Indicación:

Utilizar anticongelante habitual para automóviles con una base de glicol. Tener en cuenta las instrucciones de uso del fabricante del anticongelante.

- Dejar en marcha el aparato durante 1 minuto como máximo hasta que la bomba y los conductos estén vacíos.

Transporte

⚠ **PRECAUCIÓN**

¡Peligro de lesiones y daños! Respetar el peso del aparato para el transporte.

CUIDADO

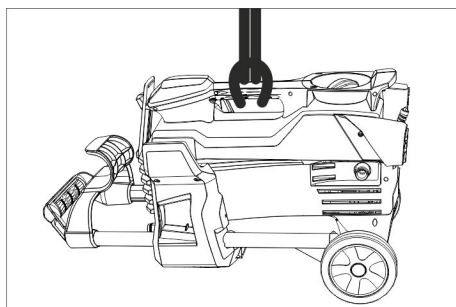
Proteger la palanca de fijación contra daños durante el transporte.

- Sujetar el aparato por el asa de transporte y la ranura del asa para transportar el aparato.
- Al transportar en vehículos, asegurar el aparato para evitar que resbale y vuelque conforme a las directrices vigentes.
- Para transportar el aparato por trayectos largos, tirar del estribo de empuje hasta la posición final y tirar de él para desplazar el aparato.
- Levantar nivel a nivel el aparato para subir escaleras. Los patines deslizantes protegen la carcasa de daños.

Soporte para el limpiador de superficies

- Insertar los manguitos de conexión del limpiador de superficies en el soporte del limpiador de alta presión.
- Atornillar la tuerca de racor.

Transporte de grúas



- Fijar el dispositivo elevador por el asa de transporte del aparato.

Indicaciones de seguridad para la carga con la grúa

⚠ **PELIGRO**

Peligro de lesiones por caída del aparato.

- *Las normativas de seguridad y prevención de accidentes locales e indicaciones de seguridad.*

- Antes de cada transporte en grúa, comprobar si el asa de transporte está dañada.
- Antes de cada transporte en grúa, comprobar si la herramienta de elevación está dañada.
- Levante el aparato solo por el asa de transporte.
- No utilizar cadenas de tope.
- Asegurar el dispositivo elevador para evitar que se descuelgue involuntariamente la carga.
- Retirar la lanza dosificadora con la pistola pulverizadora manual, boquillas, limpiador de superficies y otros objetos sueltos antes del transporte con grúa.
- Durante el proceso de elevación, no transportar ningún objeto en el aparato.
- El aparato solo puede ser transportado con grúa por personas que estén informadas de como funciona la grúa.
- No ponerse debajo de la carga.
- Prestar atención para que no haya nadie en la zona de peligro de la grúa.
- No dejar el aparato colgando de la grúa sin supervisión.

Almacenamiento

△ PRECAUCIÓN

¡Peligro de lesiones y daños! Respetar el peso del aparato en el almacenamiento.

Este aparato sólo se puede almacenar en interiores.

Cuidados y mantenimiento

△ PELIGRO

Peligro de lesiones causadas por un aparato que se arranque involuntariamente y descarga eléctrica.

Antes de efectuar cualquier trabajo en el aparato, hay que desconectar de la red eléctrica.

Inspección de seguridad/ contrato de mantenimiento

Acuerde una inspección regular de seguridad con su distribuidor o cierre un contrato de mantenimiento. Solicite el asesoramiento oportuno.

Antes de cada servicio

- Comprobar si el cable de conexión está dañado (peligro por descarga eléctrica), encargar al servicio técnico/electricista que cambie inmediatamente el cable de conexión dañado.
- Compruebe que no haya daños en la manguera de alta presión (riesgo de estallido). Si la manguera de alta presión presenta daños, debe sustituirla inmediatamente.
- Comprobar si el aparato (bomba) es estanco. Está permitido perder 3 gotas de agua por minuto y pueden salir por la parte inferior del aparato. En caso de fuga de mayor envergadura consultar al servicio de atención al cliente.

Todas las semanas

- Limpie el tamiz en la conexión del agua.

Limpie el tamiz en la conexión del agua

- Saque el tamiz.
- Limpiar y enjuagar el tamiz por la parte exterior.
- Insertar el filtro.

Cada 500 horas de servicio, al menos cada año

- Solicitar al servicio técnico que efectúe el mantenimiento del aparato.

Ayuda en caso de avería

⚠ PELIGRO

Peligro de lesiones causadas por un aparato que se arranque involuntariamente y descarga eléctrica.

- *Antes de efectuar cualquier trabajo en el aparato, hay que desconectarlo de la red eléctrica.*
- *En caso de avería, la reparación de las piezas eléctricas solo debe efectuarla el servicio técnico autorizado.*
- *En caso de averías que no se mencionen en este capítulo, consulte al servicio técnico oficial en caso de duda y si se indica explícitamente.*

El aparato no funciona

- Comprobar los daños del cable de conexión.
- Comprobar la tensión de la red.
- Si el aparato está sobrecalentado: Colocar el interruptor principal en la posición "0".
Dejar enfriar el aparato al menos durante 15 minutos.
Colocar el interruptor principal en la posición "1".
- En caso de un defecto eléctrico consultar al servicio de atención al cliente.

El aparato no alcanza la presión necesaria

- Comprobar el tamaño de la boquilla, montar la boquilla correcta.
- Purgar el aparato (véase "Puesta en marcha").
- Limpie el tamiz en la conexión del agua.
- Verifique la cantidad de abastecimiento de agua (ver datos técnicos).
- Limpiar la boquilla.
- Sustituir la boquilla.

- Si es necesario, consultar al servicio de atención al cliente.

La bomba no es estanca

Está permitido perder 3 gotas de agua por minuto y pueden salir por la parte inferior del aparato.

- En caso de fuga de mayor envergadura deje que el servicio técnico revise el aparato.

La bomba da golpes

- Comprobar la estanqueidad de las tuberías de absorción de agua.
- Purgar el aparato (véase "Puesta en marcha").
- Si es necesario, consultar al servicio de atención al cliente.

Accesorios y piezas de repuesto

Utilice solamente accesorios y recambios originales, ya que garantizan un funcionamiento correcto y seguro del equipo.

Puede encontrar información acerca de los accesorios y recambios en www.kaercher.com.

Garantía

En todos los países rigen las condiciones de garantía establecidas por nuestra empresa distribuidora. Las averías del aparato serán subsanadas gratuitamente dentro del periodo de garantía, siempre que se deban a defectos de material o de fabricación. En un caso de garantía, le rogamos que se dirija con el comprobante de compra al distribuidor donde adquirió el aparato o al servicio al cliente autorizado más próximo a su domicilio.

Datos técnicos

| Modelo | | ProHD 400 Ed | ProHD 400 | ProHD 600 |
|---|------------------|-----------------|--------------|--------------|
| | | US | CA | CA |
| Conexión de red | | | | |
| Tensión | V | 120 | | |
| Tipo de corriente | Hz | 1~ 60 | | |
| Potencia conectada | A | 12 | 11,5 | 12 |
| | kW (hp) | 1,4 (1,9) | 1,3 (1,7) | 1,4 (1,9) |
| Fusible de red (inerte, caro. C) | A | 15 | | |
| Categoría de protección | | IPX5 | | |
| Conexión de agua | | | | |
| Temperatura de entrada (máx.) | °F (°C) | 140 (60) | | |
| Velocidad de alimentación (mín.) | GPM (l/ min) | 2,5 (9,5) | | |
| Altura de aspiración desde el depósito abierto (20 °C) | ft (m) | 1,6 (0,5) | | |
| Presión de entrada (máx.) | PSI (MPa) | 145 (1) | | |
| Potencia y rendimiento | | | | |
| Presión de trabajo | PSI (kPa) | 1300 (9000) | 1200 (8300) | |
| Tamaño de la boquilla | -- | 030 | | |
| Sobrepresión de servicio máxima | PSI (MPa) | 1885 (13) | | |
| Caudal, agua | GPM (l/ min) | 1,7 (6,4) | 1,55 (5,9) | 1,7 (6,4) |
| Fuerza de retroceso de la pistola pulverizadora manual (máx.) | N | 14,76 | | |
| Valores calculados conforme a la norma EN 60335-2-79 | | | | |
| Valor de vibración mano-brazo | m/s ² | 2,1 | | |
| Inseguridad K | m/s ² | 0,7 | | |
| Nivel de presión acústica L _{pA} | dB(A) | 69 | | |
| Inseguridad K _{pA} | dB(A) | 3 | | |
| Nivel de potencia acústica L _{WA} | dB(A) | 85 | | |
| Medidas y pesos | | | | |
| Longitud | mm | 351 | | |
| Anchura | mm | 312 | | |
| Altura | mm | 904 | | |
| Peso de funcionamiento típico | lbs (kg) | 45,2 (20,5) | | |



<http://www.kaercher.com/dealersearch>

